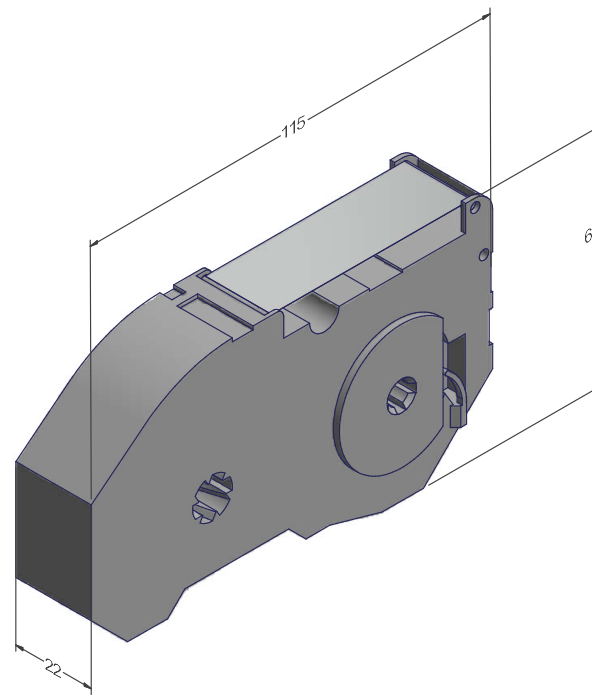


P/N	DESCRIPTION	TAPE COLOR	FOR USE WITH CLEANER P/N
14711	RE-FILL CARTRIDGE, CLETOP-S CLEANER, BLUE	BLUE	14707, 14708 or 15051
14712	RE-FILL CARTRIDGE, CLETOP-S CLEANER, WHITE	WHITE	



NOTES:

- RE-FILL CARTRIDGE BOX DIMENSIONS:
143 x 118 x 67mm
- BOX SHIPPING WEIGHT: 243.9g
- 6 REFILLS PER BOX

USCONEC LTD. PROPRIETARY			
THIS DOCUMENT AND THE ASSOCIATED DATA CONTAIN RESTRICTED INFORMATION THAT IS USCONEC LTD. PROPERTY. DISCLOSE OR DUPLICATE FOR OTHERS ONLY AS AUTHORIZED BY USCONEC LTD.			
REV	DATE	DESCRIPTION	ECN
X1	1/15/13	-	01527
A	1/21/13	INITIAL RELEASE	01527
B	5/20/20	ADD'D P/N 15051 TO TABLE & REVISED TABLE FORMAT	1527-mm

Material: N/A

CUSTOMER DRAWING

DIMENSIONS FOR REFERENCE ONLY

THIRD ANGLE PROJECTION



METRIC/mm



Hickory, NC
800-769-0944
www.usconec.com

TITLE
**RE-FILL CARTRIDGE,
CLETOP-S CLEANER**

SIZE: **B** S&M Part No.: SEE TABLE DWG NO: **C14711** REV: **B**

SCALE: N.T.S. Drafter: M.McCROSKEY Date: 1/15/2013 SHEET 1 OF 1

▲ DENOTES CRITICAL DIMENSION