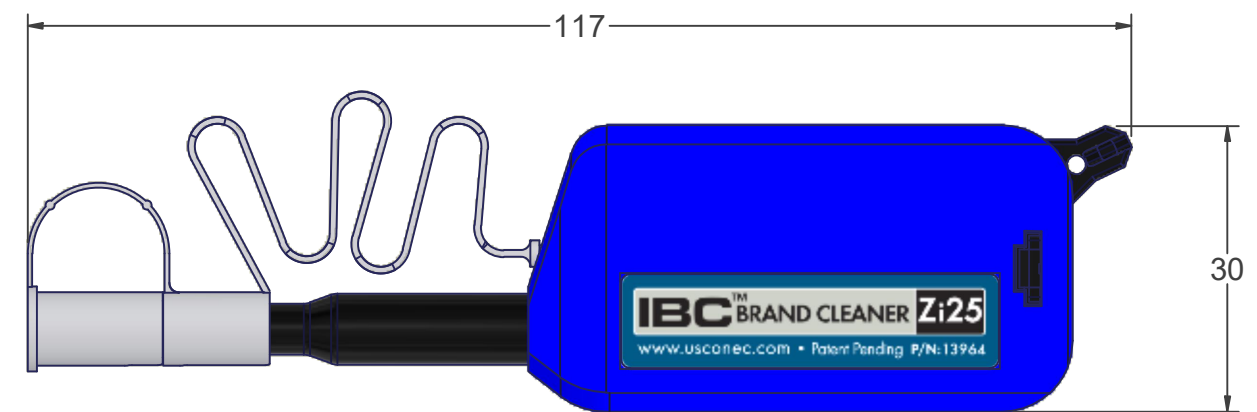
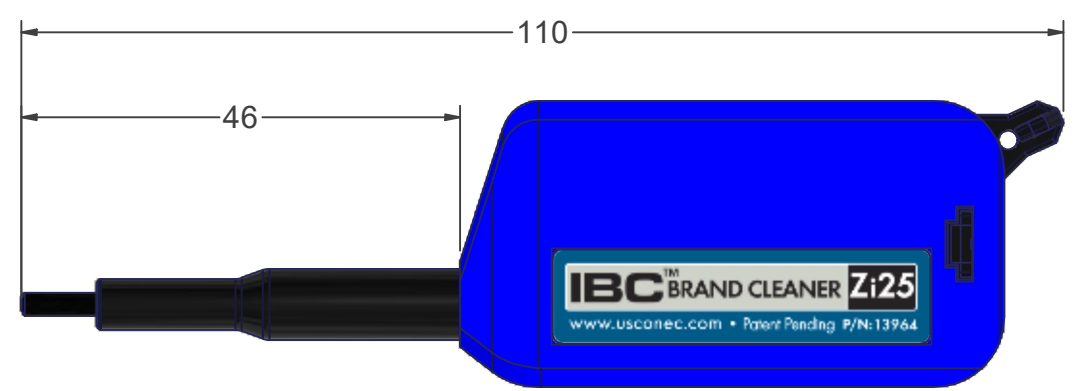
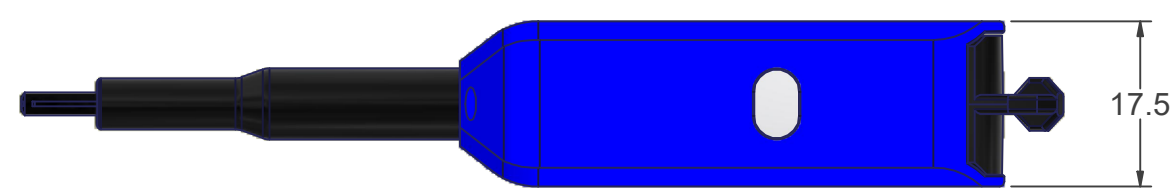
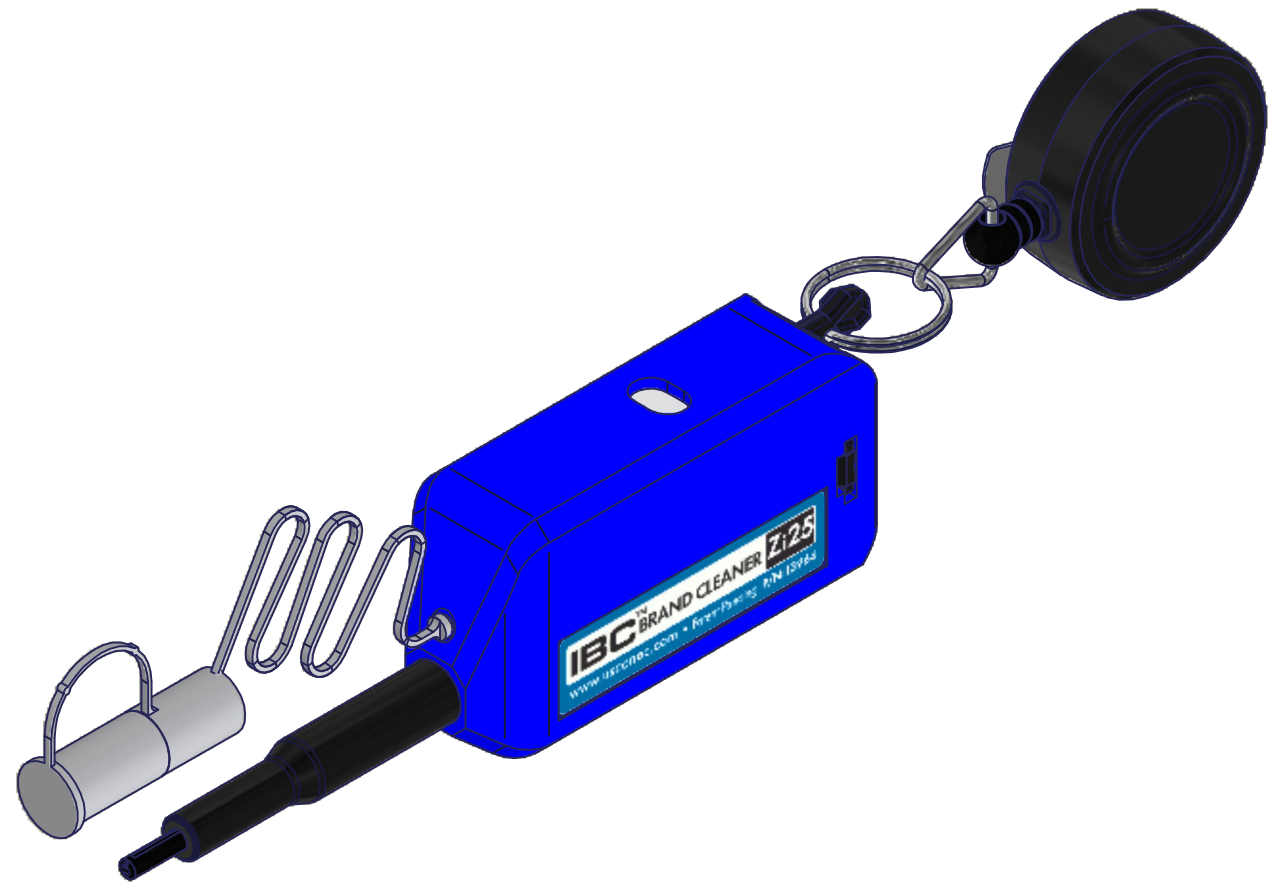


8 7 6 5 4 3 2 1

D

D



RETRACTABLE LANYARD NOT SHOWN IN VIEWS ABOVE

NOTES:

- 1. -INDIVIDUAL BOX DIMENSIONS:
L(165) x W(40) x H(24) mm
-10pc. CARTON DIMENSIONS:
L(170) x W(130) x H(88) mm
- 2. SHIPPING WEIGHTS: INDIVIDUAL = 46g
CARTON = 468g

▲ DENOTES CRITICAL DIMENSION

USCONEC LTD. PROPRIETARY
THIS DOCUMENT AND THE ASSOCIATED DATA CONTAIN RESTRICTED INFORMATION THAT IS USCONEC LTD. PROPERTY. DISCLOSE OR DUPLICATE FOR OTHERS ONLY AS AUTHORIZED BY USCONEC LTD.

Material: N/A

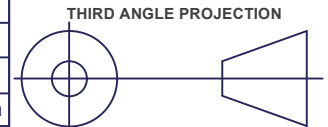
REV	DATE	DESCRIPTION	ECN
X1	07/13/11	-	01350
X2	09/06/11	REVISED TITLE: Zi25 WAS C25	01350
A	09/12/11	INITIAL RELEASE	01350
B	8/7/23	UPDATED LANYARD, LABEL & DWG FORMAT	1996-mm

CUSTOMER DRAWING

USCONEC Hickory, NC
800-769-0944
www.usconec.com

DIMENSIONS FOR REFERENCE ONLY

TITLE
CLEANER, IBC™ BRAND, Zi25
W/ RETRACTABLE LANYARD



SIZE **B** S&M Part No.: 13964 DWG NO. **C13964** REV **B**

METRIC/mm

SCALE N.T.S. Drafter **G. WOLF** Date: 7/13/2011 SHEET 1 OF 1

8 7 6 5 4 3 2 1

A

A