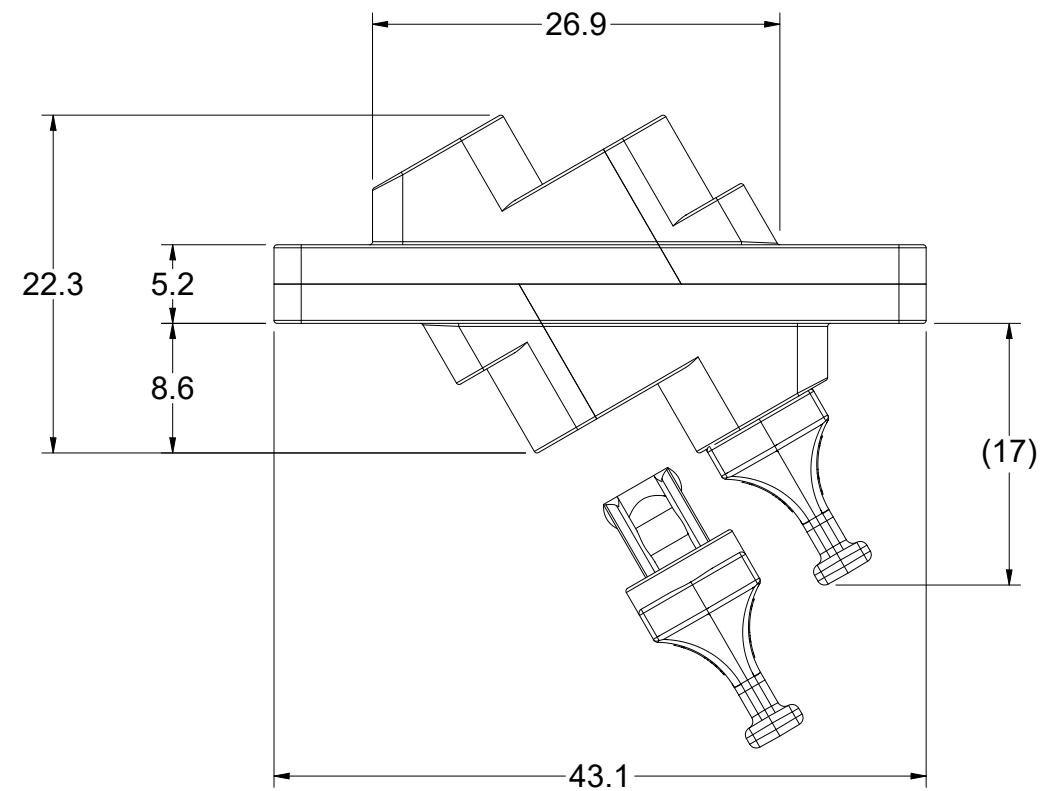
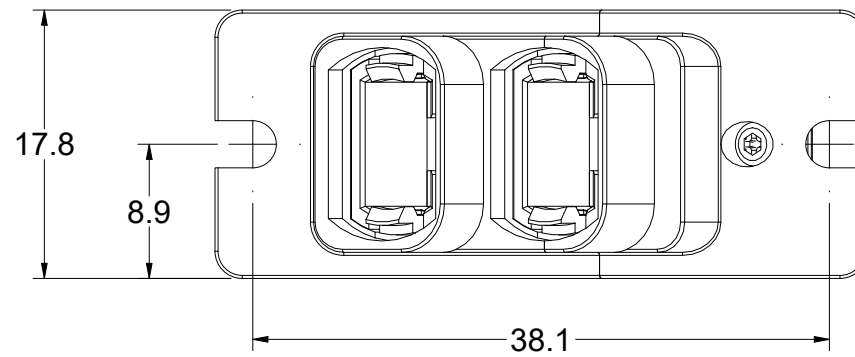
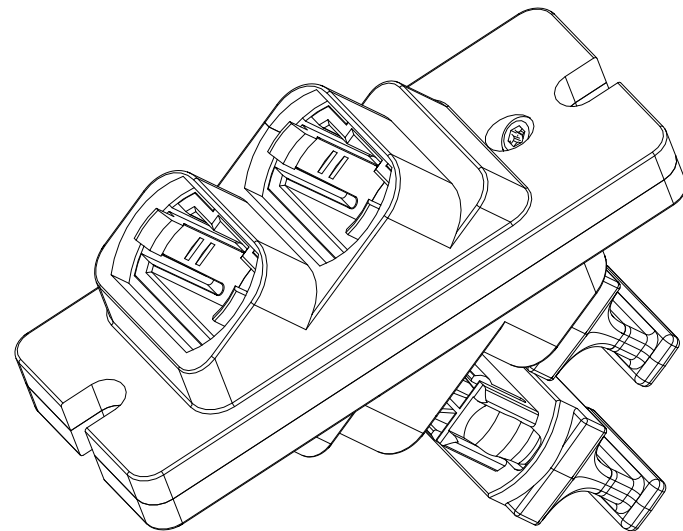


NOTES:
 1. HOUSING COLOR: BLACK
 2. MATERIAL:
 HOUSING & INNER ADAPTERS - THERMOPLASTIC
 DUST PLUG: POLYCARBONATE



▲ DENOTES CRITICAL DIMENSION

USCONEC LTD. PROPRIETARY
 THIS DOCUMENT AND THE ASSOCIATED DATA CONTAIN RESTRICTED
 INFORMATION THAT IS USCONEC LTD. PROPERTY. DISCLOSE OR DUPLICATE FOR
 OTHERS ONLY AS AUTHORIZED BY USCONEC LTD.

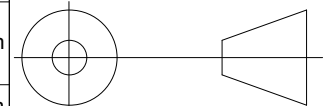
Material: N/A

REV.	DATE	DESCRIPTION	ECN
A	8/14/09	INITIAL RELEASE	01143
B1	7/19/19	UPDATED VIEWS W/ IMPROVED DUST PLUG	2233-mm
B	7/23/19	RELEASE	
C	11/29/22	MOVED PANEL CUTOUT INFO TO T.N.	2527-mm
D	10/16/24	REMOVED WHITE MARK	2708-mm

**CUSTOMER
DRAWING**

DIMENSIONS FOR REFERENCE
ONLY

THIRD ANGLE PROJECTION



METRIC/mm

USCONEC Hickory, NC
 800-769-0944
 www.usconec.com

TITLE **ADAPTER, DUAL, 30 DEG.**

SIZE B	S&M Part No.: 12278	DWG NO C12278	REV D
SCALE N.T.S.	Drafter H. NGUYEN	Date: 12/17/2008	SHEET 1 OF 1