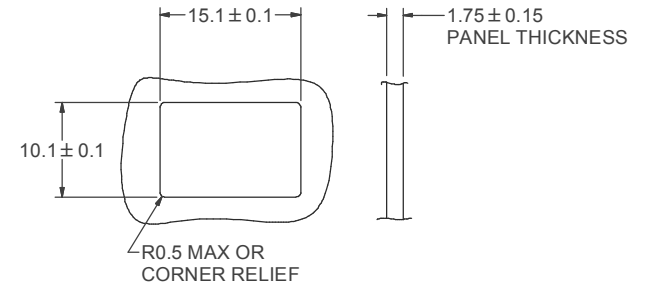
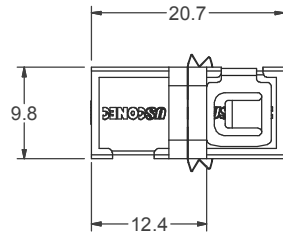
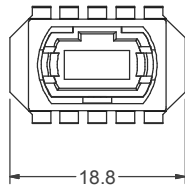
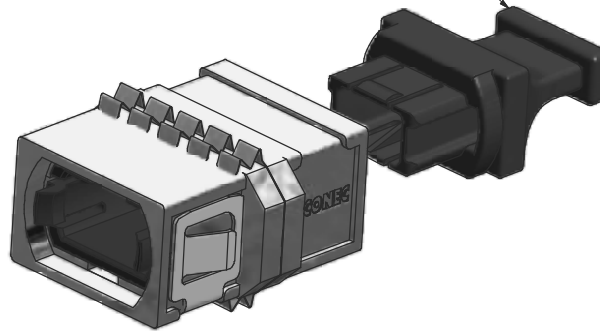
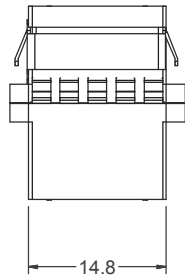


P/N	DESCRIPTION
6156	OPPOSED KEY
15073	ALIGNED KEY

ADAPTER INCLUDES ONE DUST PLUG INSTALLED ON END OPPOSITE SPRING CLIP



RECOMMENDED MOUNTING CUTOUT

PART	MATERIAL
ADAPTER BODY	THERMOPLASTIC, STAINLESS STEEL COATED
EMI GASKET	BERYLLIUM COPPER, TIN PLATED
SPRING CLIP	STAINLESS STEEL
DUST PLUG	POLYCARBONATE

USCONEC LTD. PROPRIETARY  
THIS DOCUMENT AND THE ASSOCIATED DATA CONTAIN RESTRICTED INFORMATION THAT IS USCONEC LTD. PROPERTY. DISCLOSE OR DUPLICATE FOR OTHERS ONLY AS AUTHORIZED BY USCONEC LTD.

Material: SEE TABLE AT LEFT

REV	DATE	DESCRIPTION	ECN
B	8/20/04	ADD P/N 7324 & TABLE	00569
C	1/11/10	REVISED MOUNTING CUTOUT; REM. P/N 7324	01197
D1	11/16/12	ADDED ALIGNED KEY VERSION P/N 15073; REMOVED WHITE MARKS	01525
D	1/17/13	RELEASE	01525

**CUSTOMER DRAWING**

DIMENSIONS FOR REFERENCE ONLY

THIRD ANGLE PROJECTION

**METRIC/mm**

**USCONEC** Hickory, NC  
800-769-0944  
[www.usconec.com](http://www.usconec.com)

TITLE: **ADPT, MTP®, RED. FLNG, EMI "M" SHIELD, W/O SHTR**

SIZE: S&M Part No.: SEE TABLE DWG NO: **C10784** REV: D

SCALE: N.T.S. Drafter: F. COPE Date: 5/6/2002 SHEET 1 OF 1

▲ DENOTES CRITICAL DIMENSION