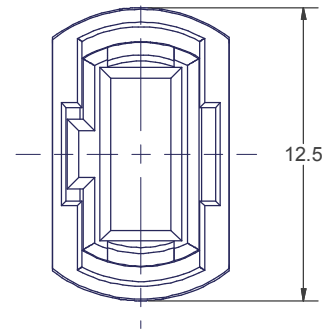
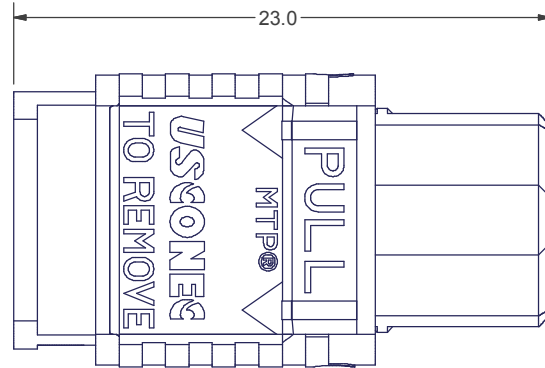
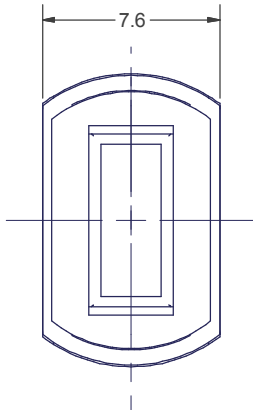
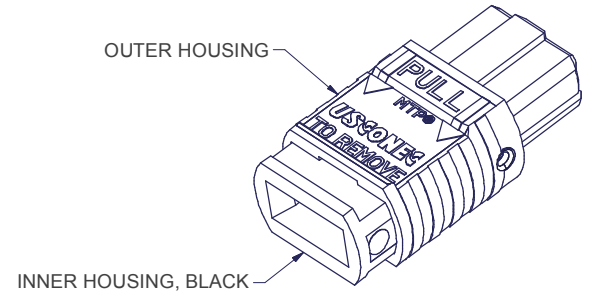
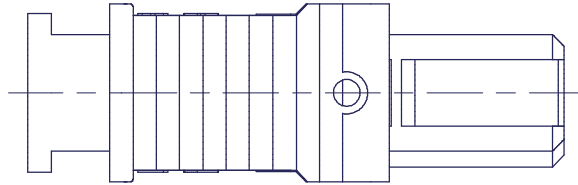


8 7 6 5 4 3 2 1

HOUSING ASSY. PART NO.	OUTER HSG. COLOR
7871	AQUA
8497	BLUE
13949	MAGENTA
16007	GREEN
16693	HEATHER VIOLET
16791	MUNSELL VIOLET
16918	YELLOW
18829	LIME
MTP-A12-02	BLACK
MTP-A12-11	BEIGE



**USCONEC LTD. PROPRIETARY**  
THIS DOCUMENT AND THE ASSOCIATED DATA CONTAIN RESTRICTED INFORMATION THAT IS USCONEC LTD. PROPERTY. DISCLOSE OR DUPLICATE FOR OTHERS ONLY AS AUTHORIZED BY USCONEC LTD.

**Material:** N/A

REV	DATE	DESCRIPTION	ECN
F1	4/27/15	ADDED (Heather Violet) PN 16693 & (Munsell Violet) PN 16791	1803-mm
F	8/26/15	RELEASE	1803-mm
G1	5/26/16	REPLACED HSG ASSY PN'S: 16007 was MTP-A12-12; 16918 was MTP-A12-15	1619-mm
G	10/20/16	RELEASE	1997-mm
H	10/4/18	ADDED LIME P/N 18829 TO TABLE	2023-mm

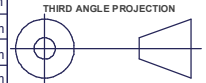
**CUSTOMER DRAWING**



Hickory, NC  
800-769-0944  
[www.usconec.com](http://www.usconec.com)

DIMENSIONS FOR REFERENCE ONLY

**TITLE**  
ASSEMBLY, HOUSING, MTP®



SIZE: S&M Part No.: SEE CHART  
DWG NO: **C10074**  
REV: H

**METRIC/mm**

SCALE: N.T.S. Drafter: F. COPE Date: 7/30/2001 SHEET 1 OF 1

▲ DENOTES CRITICAL DIMENSION

8 7 6 5 4 3 2 1