

4

3

2

1

Parts List

ITEM	DESCRIPTION	PART NUMBER	QTY	NOTES
1	BOOT, PUSH-PULL, MTP® PRO	21442	1	
2	CRIMP BAND, 2.5 mm, MTP®, HEAT SHRINK	16425	1	NOTE 2
3	SPRING PUSH, UNIV., 3.0mm RND	19692	1	
4	SPRING, UNIVERSAL, 20N	22515	1	
5	PIN CLAMP, MTP® PRO	SEE KIT TABLE COLUMN A	1	NOTE 1
6	HOUSING ASSY, MTP® PRO	SEE KIT TABLE COLUMN B	1	
7	DUST CAP, MTP®	17242	1	

KIT P/N	KIT DESCRIPTION	PERFORMANCE	COLUMN A PIN CLAMP P/N	COLUMN B HSG ASSY P/N	HSG COLOR
21775	KIT, MTP® PRO, FEMALE, MM MTP Elite®, 2.5 RND, W/ PUSH-PULL CBL BOOT, HSF, AQUA HSG	MM MTP Elite®	25084	18189	AQUA
21776	KIT, MTP® PRO, MALE, MM MTP Elite®, 2.5 RND, W/ PUSH-PULL CBL BOOT, HSF, AQUA HSG	MM MTP Elite®	25085	18189	AQUA
21777	KIT, MTP® PRO, FEMALE, MM MTP Elite®, 2.5 RND, W/ PUSH-PULL CBL BOOT, HSF, HEATHER VIOLET HSG	MM MTP Elite®	25084	18191	HEATHER VIOLET
21778	KIT, MTP® PRO, MALE, MM MTP Elite®, 2.5 RND, W/ PUSH-PULL CBL BOOT, HSF, HEATHER VIOLET HSG	MM MTP Elite®	25085	18191	HEATHER VIOLET
21779	KIT, MTP® PRO, FEMALE, MM MTP Elite®, 2.5 RND, W/ PUSH-PULL CBL BOOT, HSF, LIME HSG	MM MTP Elite®	25084	19486	LIME
21780	KIT, MTP® PRO, MALE, MM MTP Elite®, 2.5 RND, W/ PUSH-PULL CBL BOOT, HSF, LIME HSG	MM MTP Elite®	25085	19486	LIME
21781	KIT, MTP® PRO, FEMALE, SM MTP Elite®, 2.5 RND, W/ PUSH-PULL CBL BOOT, HSF, GREEN HSG	SM MTP Elite®	25084	18190	GREEN
21782	KIT, MTP® PRO, MALE, SM MTP Elite®, 2.5 RND, W/ PUSH-PULL CBL BOOT, HSF, GREEN HSG	SM MTP Elite®	25087	18190	GREEN

NOTES:

1. MALE CONNECTOR KIT HAS MALE PIN CLAMP ASSEMBLY, FEMALE CONNECTOR KIT HAS FEMALE PIN CLAMP ASSEMBLY.
2. HEAT-SHRINK TUBING RECOMMENDED FOR SECURING CRIMP BAND TO CABLE. HEAT-SHRINK TUBING NOT INCLUDED.

FERRULE / BOOT KIT SHOWN FOR REFERENCE ONLY, MUST BE PURCHASED SEPARATELY

▲ DENOTES CRITICAL DIMENSION

USCONEC LTD. PROPRIETARY  
THIS DOCUMENT AND THE ASSOCIATED DATA CONTAIN RESTRICTED INFORMATION THAT IS USCONEC LTD. PROPERTY. DISCLOSE OR DUPLICATE FOR OTHERS ONLY AS AUTHORIZED BY USCONEC LTD.

**Material:**

REV.	DATE	DESCRIPTION	ECN
X1	1/13/20	---	2265-mm
A	5/5/20	INITIAL RELEASE	
B	4/9/25	PIN CLAMP CHGS: 25084 was 17861; 25085 was 19038; 25087 was 19039; SPRING CHG: 22515 was 17698	2750-mm

**CUSTOMER DRAWING**

**USCONEC** Hickory, NC  
800-769-0944  
www.usconec.com

TITLE  
KIT, MTP® PRO CONN., 2.3 - 2.7 mm RND CBL, PUSH-PULL CBL BOOT, HIGH SPRING FORCE

SIZE **B** S&M Part No.: SEE TABLE DWG NO. **C21775** REV **B**

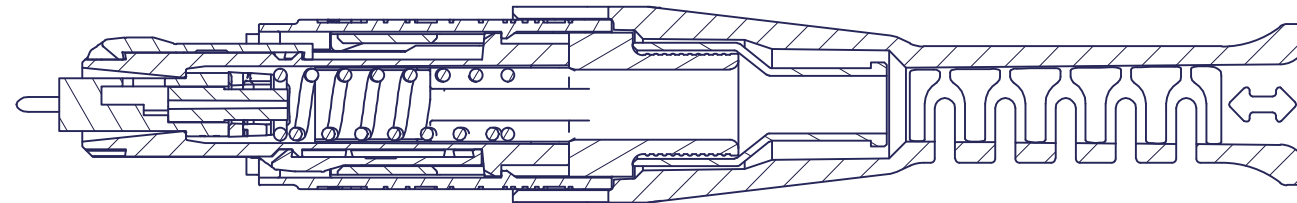
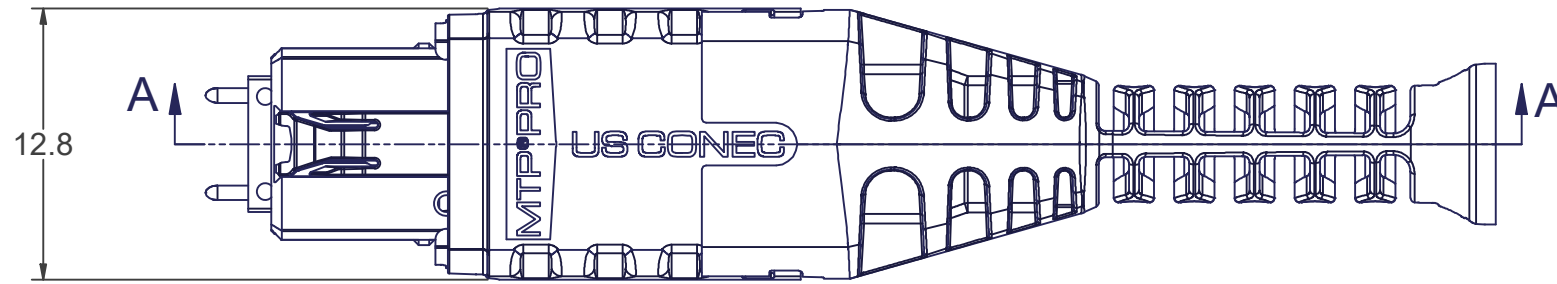
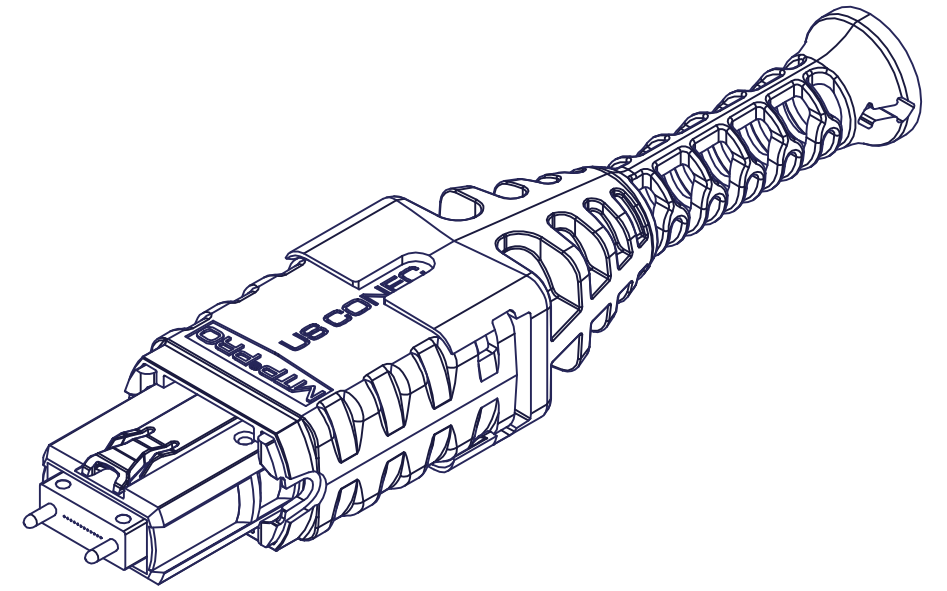
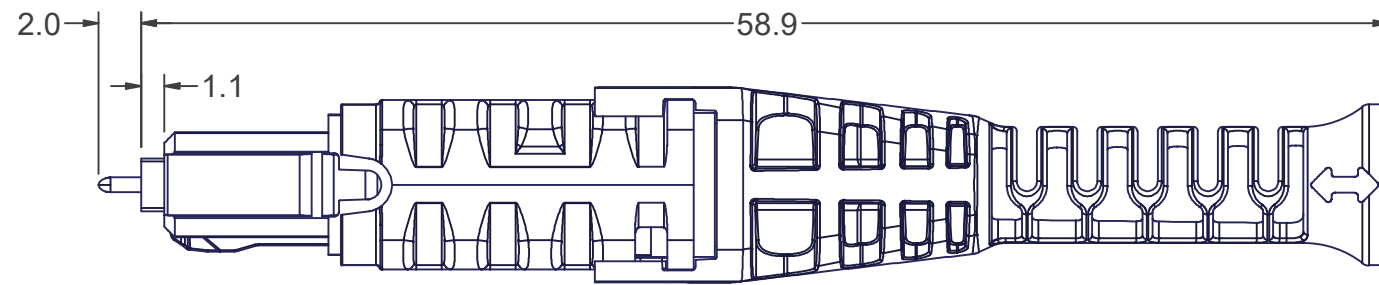
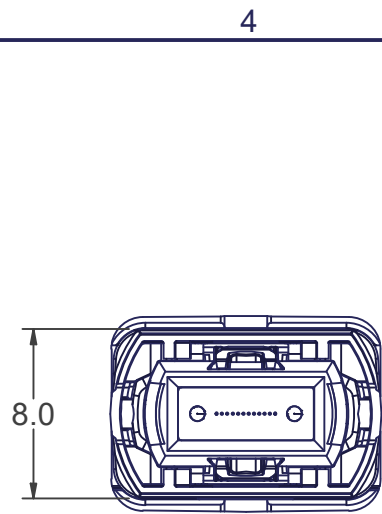
SCALE N.T.S. Drafter **M.McCROSKEY** Date: 1/13/2020 SHEET 1 OF 2

4

3

2

1



SECTION A-A

▲ DENOTES CRITICAL DIMENSION

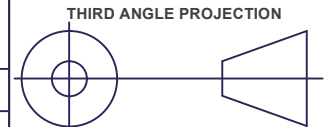
**USCONEC LTD. PROPRIETARY**  
 THIS DOCUMENT AND THE ASSOCIATED DATA CONTAIN RESTRICTED INFORMATION THAT IS USCONEC LTD. PROPERTY. DISCLOSE OR DUPLICATE FOR OTHERS ONLY AS AUTHORIZED BY USCONEC LTD.

**Material:**

REV.	DATE	DESCRIPTION	ECN
		SEE SHEET 1	

**CUSTOMER DRAWING**

DIMENSIONS FOR REFERENCE ONLY



**METRIC/mm**

**USCONEC** Hickory, NC  
 800-769-0944  
 www.usconec.com

**TITLE**  
 KIT, MTP® PRO CONN., 2.3 - 2.7 mm RND CBL, PUSH-PULL CBL BOOT, HIGH SPRING FORCE

SIZE <b>B</b>	S&M Part No.: SEE SHEET 1	DWG NO. <b>C21775</b>	REV B
SCALE N.T.S.	Drafter M.McCROSKEY	Date: 1/13/2020	SHEET 2 OF 2