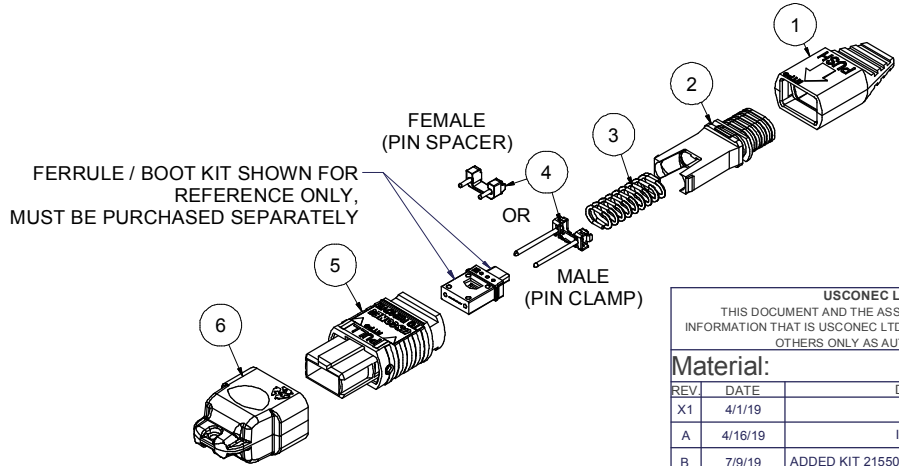


Parts List				3		2		1		
ITEM	DESCRIPTION	PART NO.	QTY	NOTES	KIT P/N	KIT DESCRIPTION	PERFORMANCE	COLUMN A PIN CLAMP/SPACER P/N	COLUMN B HSG ASSY P/N	HSG ASSY COLOR
1	BOOT, RIBBON, UNIVERSAL, MTP®	19676	1		19998	KIT, MTP®, UNIVERSAL, FEMALE, MM, RIBBON, HSF, BEIGE	MM	17795	MTP-A12-11	BEIGE
2	SPRING PUSH, UNIVERSAL, OVAL & RIBBON, MTP®	5551	1		19999	KIT, MTP®, UNIVERSAL, MALE, MM, RIBBON, HSF, BEIGE	MM	17799	MTP-A12-11	BEIGE
3	SPRING, UNIVERSAL, 20N	17698	1		20000	KIT, MTP®, UNIVERSAL, FEMALE, MM, RIBBON, HSF, BLACK	MM	17795	MTP-A12-02	BLACK
4	PIN CLAMP or PIN SPACER	SEE KIT TABLE COLUMN A	1	NOTE 1	20001	KIT, MTP®, UNIVERSAL, MALE, MM, RIBBON, HSF, BLACK	MM	17799	MTP-A12-02	BLACK
5	ASSEMBLY, HOUSING, MTP®	SEE KIT TABLE COLUMN B	1		20002	KIT, MTP®, UNIVERSAL, FEMALE, MM, RIBBON, HSF, AQUA	MM or MM MTP Elite®	17795	7871	AQUA
6	DUST CAP, MTP®	17242	1		20003	KIT, MTP®, UNIVERSAL, MALE, MM, RIBBON, HSF, AQUA	MM	17799	7871	AQUA
					20004	KIT, MTP®, UNIVERSAL, MALE, MM MTP Elite®, RIBBON, HSF, AQUA	MM MTP Elite®	17800	7871	AQUA
					20005	KIT, MTP®, UNIVERSAL, FEMALE, MM, RIBBON, HSF, MAGENTA	MM or MM MTP Elite®	17795	13949	MAGENTA
					20006	KIT, MTP®, UNIVERSAL, MALE, MM, RIBBON, HSF, MAGENTA	MM	17799	13949	MAGENTA
					20007	KIT, MTP®, UNIVERSAL, MALE, MM MTP Elite®, RIBBON, HSF, MAGENTA	MM MTP Elite®	17800	13949	MAGENTA
					20008	KIT, MTP®, UNIVERSAL, FEMALE, MM, RIBBON, HSF, HEATHER VIOLET	MM or MM MTP Elite®	17795	16693	HEATHER VIOLET
					20009	KIT, MTP®, UNIVERSAL, MALE, MM, RIBBON, HSF, HEATHER VIOLET	MM	17799	16693	HEATHER VIOLET
					20010	KIT, MTP®, UNIVERSAL, MALE, MM MTP Elite®, RIBBON, HSF, HEATHER VIOLET	MM MTP Elite®	17800	16693	HEATHER VIOLET
					20011	KIT, MTP®, UNIVERSAL, FEMALE, MM, RIBBON, HSF, MUNSELL VIOLET	MM or MM MTP Elite®	17795	16791	MUNSELL VIOLET
					20012	KIT, MTP®, UNIVERSAL, MALE, MM, RIBBON, HSF, MUNSELL VIOLET	MM	17799	16791	MUNSELL VIOLET
					20013	KIT, MTP®, UNIVERSAL, MALE, MM MTP Elite®, RIBBON, HSF, MUNSELL VIOLET	MM MTP Elite®	17800	16791	MUNSELL VIOLET
					20014	KIT, MTP®, UNIVERSAL, FEMALE, MM, RIBBON, HSF, LIME	MM or MM MTP Elite®	17795	18829	LIME
					20015	KIT, MTP®, UNIVERSAL, MALE, MM, RIBBON, HSF, LIME	MM	17799	18829	LIME
					20016	KIT, MTP®, UNIVERSAL, MALE, MM MTP Elite®, RIBBON, HSF, LIME	MM MTP Elite®	17800	18829	LIME
					20017	KIT, MTP®, UNIVERSAL, FEMALE, SM, RIBBON, HSF, GREEN	SM	17795	16007	GREEN
					20018	KIT, MTP®, UNIVERSAL, MALE, SM, RIBBON, HSF, GREEN	SM	17800	16007	GREEN
					20019	KIT, MTP®, UNIVERSAL, FEMALE, SM MTP Elite®, RIBBON, HSF, YELLOW	SM MTP Elite®	17795	16918	YELLOW
					20020	KIT, MTP®, UNIVERSAL, MALE, SM MTP Elite®, RIBBON, HSF, YELLOW	SM MTP Elite®	17801	16918	YELLOW
					21550	KIT, MTP®, UNIVERSAL, MALE, SM MTP Elite®, RIBBON, HSF, GREEN	SM MTP Elite®	17801	16007	GREEN

NOTES:
 1. MALE CONNECTOR KIT HAS PIN CLAMP ASSEMBLY.
 FEMALE CONNECTOR KIT HAS FEMALE PIN SPACER.



USCONEC LTD. PROPRIETARY
 THIS DOCUMENT AND THE ASSOCIATED DATA CONTAIN RESTRICTED INFORMATION THAT IS USCONEC LTD. PROPERTY. DISCLOSE OR DUPLICATE FOR OTHERS ONLY AS AUTHORIZED BY USCONEC LTD.

Material:

REV	DATE	DESCRIPTION	ECN
X1	4/1/19	---	
A	4/16/19	INITIAL RELEASE	2206-mm
B	7/9/19	ADDED KIT 21550 (SME W/ GREEN HSG) TO TABLE	

▲ DENOTES CRITICAL DIMENSION

CUSTOMER DRAWING

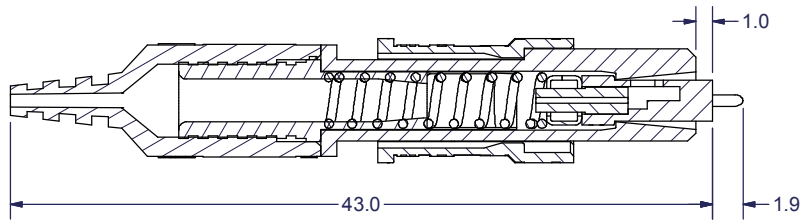
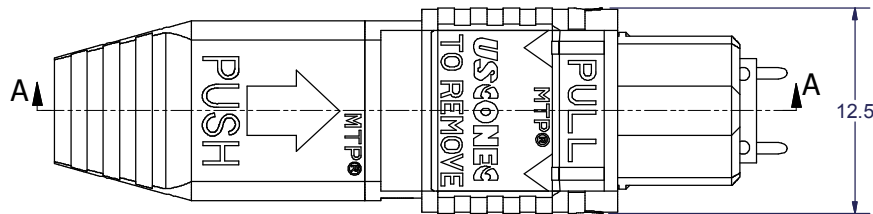
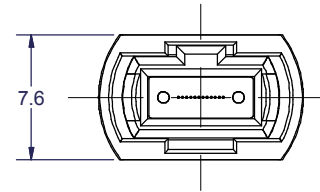
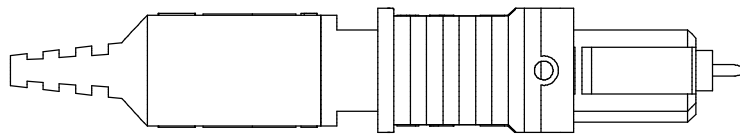
USCONEC Hickory, NC
800-769-0944
www.usconec.com

TITLE
 KIT, MTP® CONNECTOR, UNIVERSAL, RIBBON, HIGH SPRING FORCE

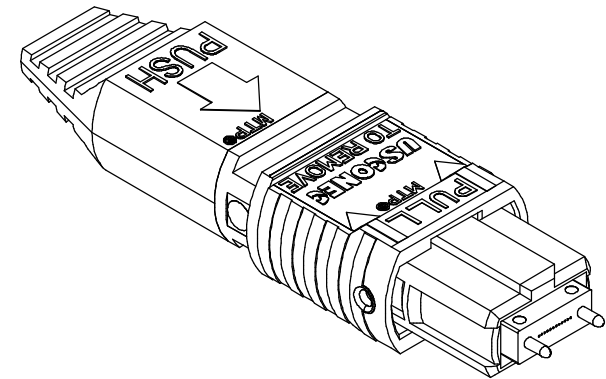
SIZE S&M Part No.: SEE TABLE DWG NO. **C19998** REV B

SCALE N.T.S. Drafter M.McCROSKEY Date: 4/2/2019 SHEET 1 OF 2

METRIC/mm



SECTION A-A



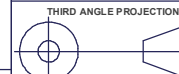
USCONEC LTD. PROPRIETARY
THIS DOCUMENT AND THE ASSOCIATED DATA CONTAIN RESTRICTED INFORMATION THAT IS USCONEC LTD. PROPERTY. DISCLOSE OR DUPLICATE FOR OTHERS ONLY AS AUTHORIZED BY USCONEC LTD.

Material:

REV	DATE	DESCRIPTION	ECN
		SEE SHEET 1	

CUSTOMER DRAWING

DIMENSIONS FOR REFERENCE ONLY



METRIC/mm



Hickory, NC
800-769-0944
www.usconec.com

TITLE
KIT, MTP® CONNECTOR, UNIVERSAL, RIBBON, HIGH SPRING FORCE

SIZE	S&M Part No.:	DWG NO.	REV
B	SEE TABLE	C19998	B
SCALE	Drafter	Date:	SHEET
N.T.S.	M. McCROSKEY	4/2/2019	2 OF 2

▲ DENOTES CRITICAL DIMENSION