

4

3

2

1

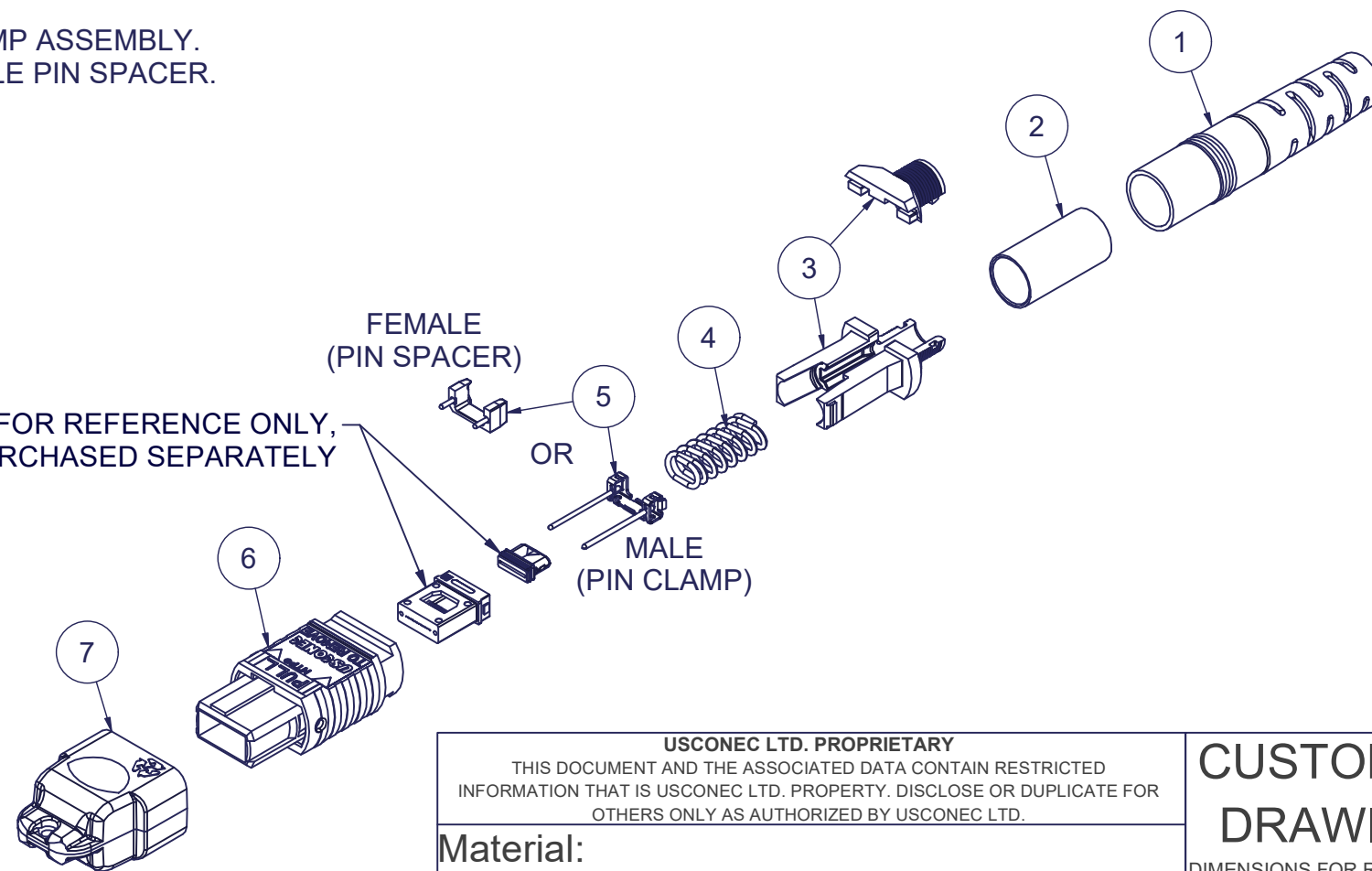
Parts List				
ITEM	DESCRIPTION	PART NUMBER	QTY	NOTES
1	BOOT, ROUND, 5.0/5.5 CABLE	12978	1	
2	CRIMP BAND, 5.5, ROUND, MTP®	16429	1	
3	SPRING PUSH, UNIV., 2 PC, 4.0 - 5.5mm RND, MTP®	22900	1	
4	SPRING, UNIVERSAL, 20N	22515	1	
5	PIN CLAMP or PIN SPACER	SEE KIT TABLE COLUMN A	1	NOTE 1
6	ASSEMBLY, HOUSING, MTP®-16	SEE KIT TABLE COLUMN B	1	
7	DUST CAP, MTP®	17242	1	

KIT P/N	KIT DESCRIPTION	PERFORMANCE	COLUMN A PIN CLAMP/SPACER P/N	COLUMN B HSG ASSY P/N	HSG ASSY COLOR
18012	KIT, MTP-16™, FEMALE, MM, 5.5 RND, AQUA	MM or MM MTP Elite®	15391	16819	AQUA
18013	KIT, MTP-16™, MALE, MM MTP Elite®, 5.5 RND, AQUA	MM MTP Elite®	15609	16819	AQUA
18014	KIT, MTP-16™, FEMALE, MM, 5.5 RND, MAGENTA	MM or MM MTP Elite®	15391	16822	MAGENTA
18015	KIT, MTP-16™, MALE, MM MTP Elite®, 5.5 RND, MAGENTA	MM MTP Elite®	15609	16822	MAGENTA
18038	KIT, MTP-16™, MALE, MM, 5.5 RND, AQUA	MM	17782	16819	AQUA
18039	KIT, MTP-16™, MALE, MM, 5.5 RND, MAGENTA	MM	17782	16822	MAGENTA
19248	KIT, MTP-16™, FEMALE, MM, 5.5 RND, LIME	MM or MM MTP Elite®	15391	19103	LIME
19249	KIT, MTP-16™, MALE, MM, 5.5 RND, LIME	MM	17782	19103	LIME
19250	KIT, MTP-16™, MALE, MM MTP Elite®, 5.5 RND, LIME	MM MTP Elite®	15609	19103	LIME
19411	KIT, MTP-16™, FEMALE, SM, 5.5 RND, GREEN	SM	15391	19068	GREEN
19412	KIT, MTP-16™, MALE, SM, 5.5 RND, GREEN	SM	15609	19068	GREEN
19427	KIT, MTP-16™, FEMALE, SM MTP Elite®, 5.5 RND, YELLOW	SM MTP Elite®	15391	19102	YELLOW
19428	KIT, MTP-16™, MALE, SM MTP Elite®, 5.5 RND, YELLOW	SM MTP Elite®	18297	19102	YELLOW

NOTES:

- 1. MALE CONNECTOR KIT HAS PIN CLAMP ASSEMBLY. FEMALE CONNECTOR KIT HAS FEMALE PIN SPACER.

FERRULE / BOOT KIT SHOWN FOR REFERENCE ONLY, MUST BE PURCHASED SEPARATELY



▲ DENOTES CRITICAL DIMENSION

USCONEC LTD. PROPRIETARY
THIS DOCUMENT AND THE ASSOCIATED DATA CONTAIN RESTRICTED INFORMATION THAT IS USCONEC LTD. PROPERTY. DISCLOSE OR DUPLICATE FOR OTHERS ONLY AS AUTHORIZED BY USCONEC LTD.

Material:

REV	DATE	DESCRIPTION	ECN
C1	3/26/18	17242 (DUST CAP) was 17158 (PROTECTIVE CAP)	2130-mm
C	4/23/18	RELEASE	
D1	7/23/19	SPRING PUSH 19740 was 17681; REVISED PARTS LIST FORMAT	2159-mm
D	1/6/20	RELEASE	2237-mm
E	11/1/21	SPRING 22515 was 17698; SPRING PUSH 22900 was 19740; ADDED SME KIT P/N'S 19427 & 19428	2420-mm

CUSTOMER DRAWING

DIMENSIONS FOR REFERENCE ONLY

THIRD ANGLE PROJECTION

METRIC/mm

USCONEC Hickory, NC
800-769-0944
www.usconec.com

TITLE
KIT, MTP-16™ CONNECTOR,
5.3 - 5.7mm ROUND CABLE

SIZE **B** S&M Part No.: SEE TABLE DWG NO. **C18012** REV **E**

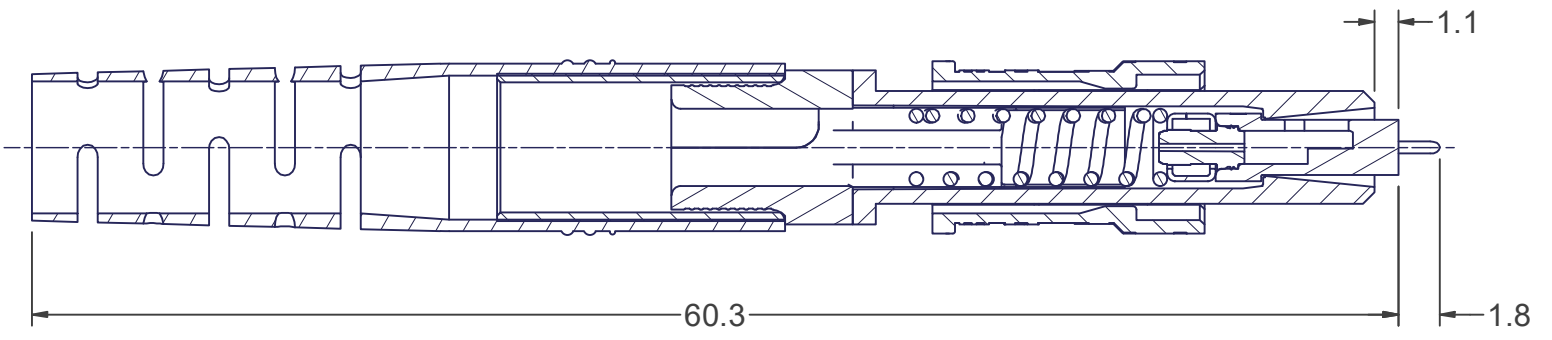
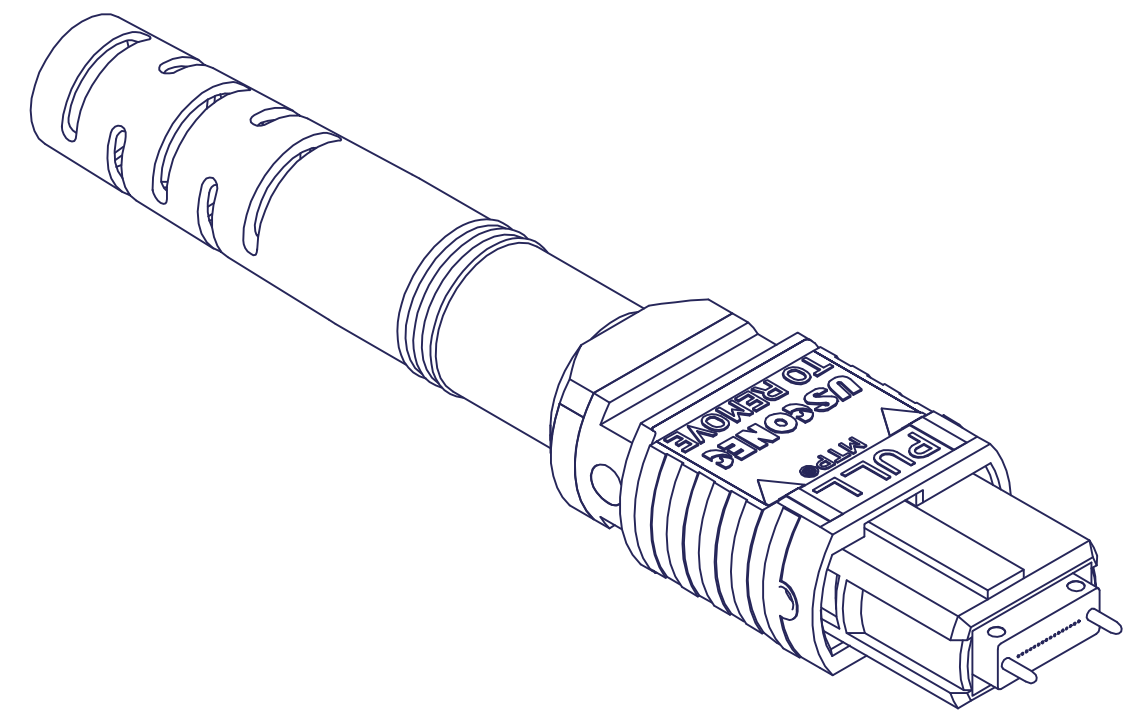
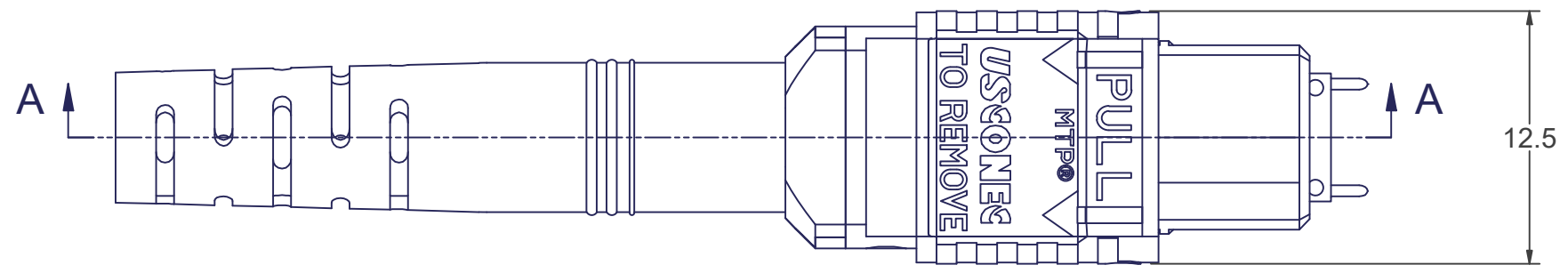
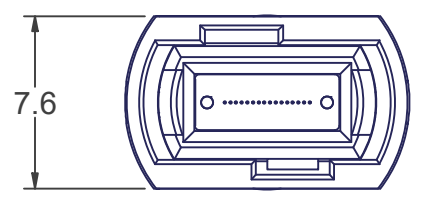
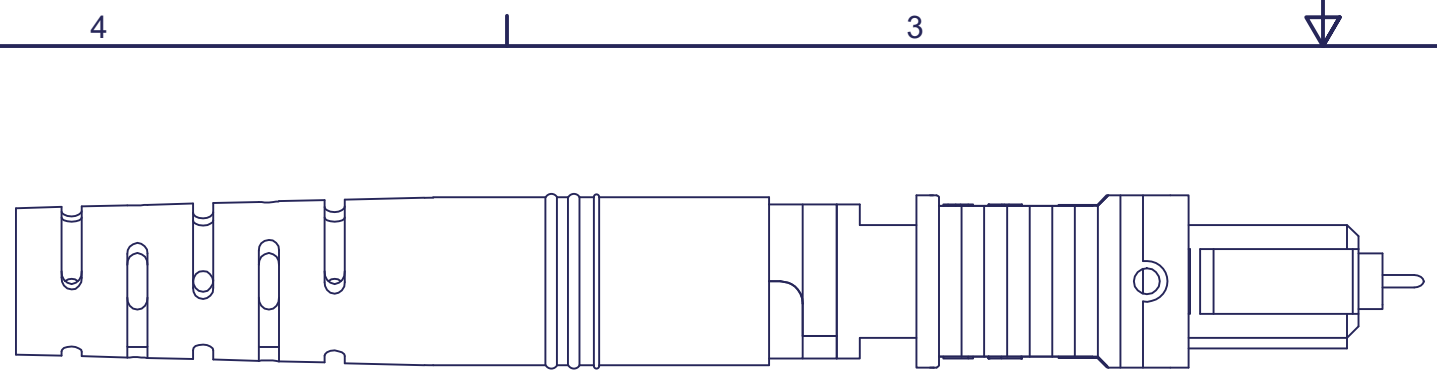
SCALE N.T.S. Drafter M.McCROSKEY Date: 6/27/2016 SHEET 1 OF 2

4

3

2

1



SECTION A-A

▲ DENOTES CRITICAL DIMENSION

USCONEC LTD. PROPRIETARY
 THIS DOCUMENT AND THE ASSOCIATED DATA CONTAIN RESTRICTED INFORMATION THAT IS USCONEC LTD. PROPERTY. DISCLOSE OR DUPLICATE FOR OTHERS ONLY AS AUTHORIZED BY USCONEC LTD.

Material:

REV.	DATE	DESCRIPTION	ECN

CUSTOMER DRAWING

DIMENSIONS FOR REFERENCE ONLY

THIRD ANGLE PROJECTION



METRIC/mm

USCONEC Hickory, NC
 800-769-0944
 www.usconec.com

TITLE
 KIT, MTP-16™ CONNECTOR,
 5.3 - 5.7mm ROUND CABLE

SIZE **B** S&M Part No.: SEE SHEET 1 DWG NO. **C18012** REV **E**

SCALE N.T.S. Drafter M.McCROSKY Date: 6/27/2016 SHEET 2 OF 2