

4

## Parts List

ITEM	DESCRIPTION	PART NUMBER	QTY	NOTES
1	BOOT, ROUND, MTP®, 3.6mm	12165	1	
2	CRIMP BAND, ROUND, MTP®, 3.4 - 3.8 mm CABLES	16426	1	
3	SPRING PUSH, UNIVERSAL, 3.6 mm ROUND, MTP®	22823	1	
4	SPRING, UNIVERSAL, 20N	22515	1	
5	PIN CLAMP or PIN SPACER	SEE KIT TABLE COLUMN A	1	NOTE 1
6	ASSEMBLY, HOUSING, MTP-16™	SEE KIT TABLE COLUMN B	1	
7	DUST CAP, MTP®	17242	1	

3



2

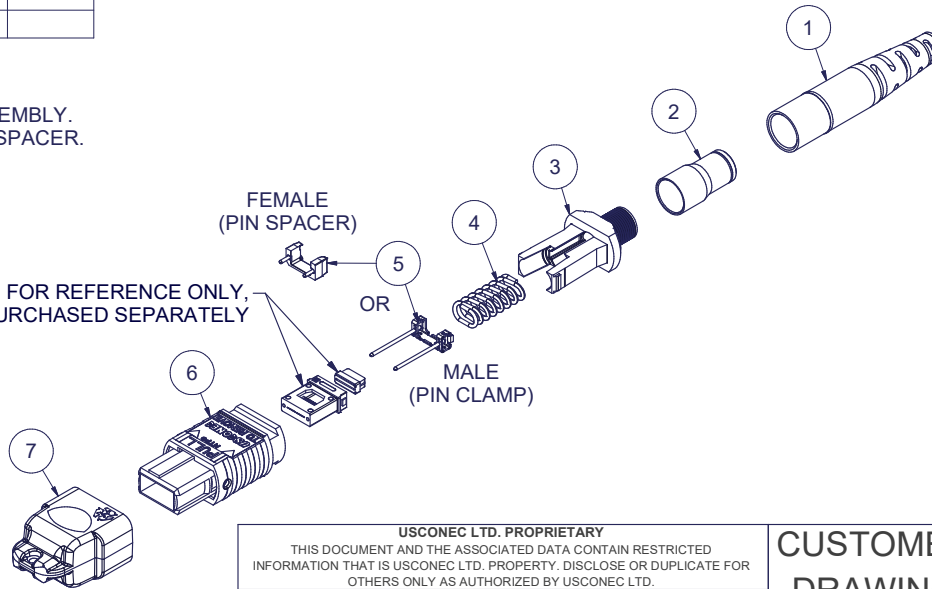
1

KIT P/N	KIT DESCRIPTION	PERFORMANCE	COLUMN A PIN CLAMP/SPACER P/N	COLUMN B HSG ASSY P/N	HSG ASSY COLOR
16528	KIT, MTP-16™, FEMALE, MM, 3.6 RND, AQUA	MM or MM MTP Elite®	15391	16819	AQUA
16529	KIT, MTP-16™, MALE, MM MTP Elite®, 3.6 RND, AQUA	MM MTP Elite®	15609	16819	AQUA
16530	KIT, MTP-16™, FEMALE, MM, 3.6 RND, MAGENTA	MM or MM MTP Elite®	15391	16822	MAGENTA
16531	KIT, MTP-16™, MALE, MM MTP Elite®, 3.6 RND, MAGENTA	MM MTP Elite®	15609	16822	MAGENTA
18030	KIT, MTP-16™, MALE, MM, 3.6 RND, AQUA	MM	17782	16819	AQUA
18031	KIT, MTP-16™, FEMALE, MM, 3.6 RND, MAGENTA	MM	17782	16822	MAGENTA
19236	KIT, MTP-16™, FEMALE, MM, 3.6 RND, LIME	MM or MM MTP Elite®	15391	19103	LIME
19237	KIT, MTP-16™, MALE, MM, 3.6 RND, LIME	MM	17782	19103	LIME
19238	KIT, MTP-16™, MALE, MM MTP Elite®, 3.6 RND, LIME	MM MTP Elite®	15609	19103	LIME
19403	KIT, MTP-16™, FEMALE, SM, 3.6 RND, GREEN	SM	15391	19068	GREEN
19404	KIT, MTP-16™, MALE, SM, 3.6 RND, GREEN	SM	15609	19068	GREEN
19419	KIT, MTP-16™, FEMALE, SM MTP Elite®, 3.6 RND, YELLOW	SM MTP Elite®	15391	19102	YELLOW
19420	KIT, MTP-16™, MALE, SM MTP Elite®, 3.6 RND, YELLOW	SM MTP Elite®	18297	19102	YELLOW

## NOTES:

1. MALE CONNECTOR KIT HAS PIN CLAMP ASSEMBLY.  
FEMALE CONNECTOR KIT HAS FEMALE PIN SPACER.

FERRULE / BOOT KIT SHOWN FOR REFERENCE ONLY,  
MUST BE PURCHASED SEPARATELY



## USCONEC LTD. PROPRIETARY

THIS DOCUMENT AND THE ASSOCIATED DATA CONTAIN RESTRICTED INFORMATION THAT IS USCONEC LTD. PROPERTY. DISCLOSE OR DUPLICATE FOR OTHERS ONLY AS AUTHORIZED BY USCONEC LTD.

## Material:

REV	DATE	DESCRIPTION	ECN
D1	3/26/18	17242 (DUST CAP) was 17158 (PROTECTIVE CAP)	2130-mm
D	4/23/18	RELEASE	
E1	7/23/19	SPRING PUSH 19738 was 17747; UPDATED PARTS LIST FORMAT	2159-mm
E	10/28/19	RELEASE	
F	11/1/21	SPRING 22515 was 17698; SPRING PUSH 22823 was 19738; ADDED SME KIT P/N'S 19419 & 19420	2420-mm

## CUSTOMER DRAWING

DIMENSIONS FOR REFERENCE ONLY

THIRD ANGLE PROJECTION



METRIC/mm

▲ DENOTES CRITICAL DIMENSION

**USCONEC**

Hickory, NC  
800-769-0944  
www.usconec.com

TITLE  
KIT, MTP-16™ CONNECTOR,  
3.4 - 3.8mm ROUND CABLE

SIZE B S&M Part No.: SEE TABLE DWG NO. C16528 REV F

SCALE N.T.S. Drafter M.McCROSKEY Date: 1/5/2015 SHEET 1 OF 2

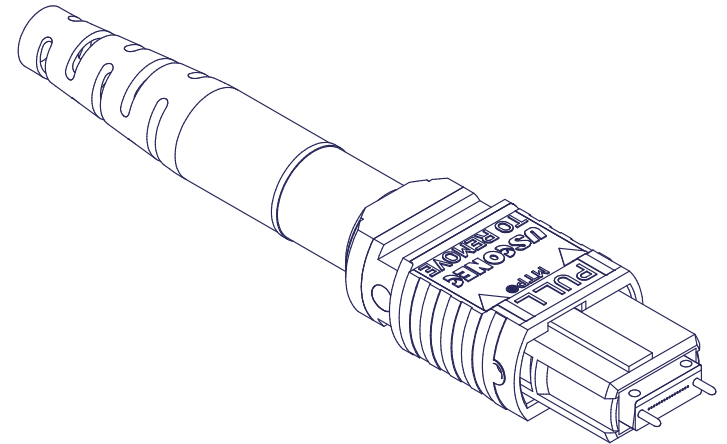
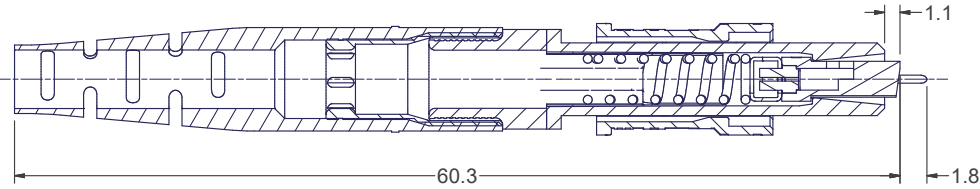
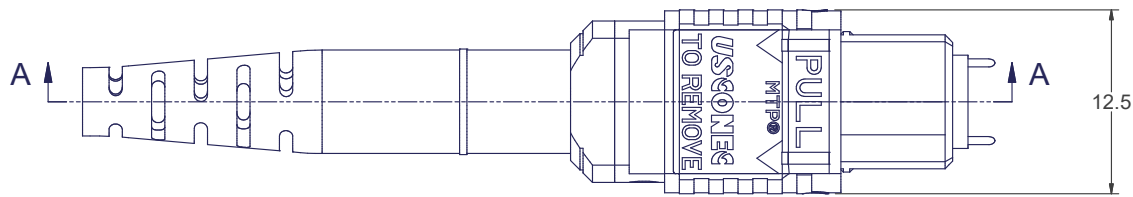
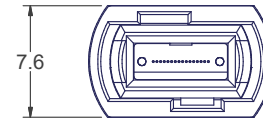
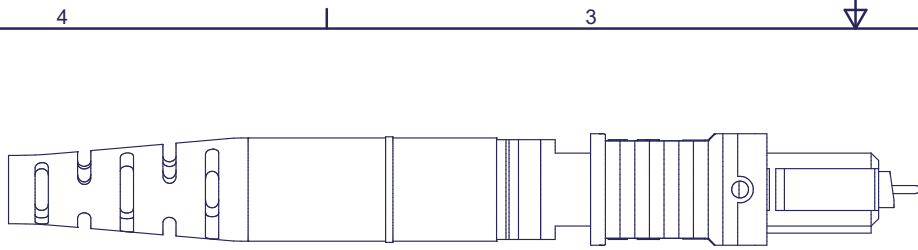
4

3



2

1



SECTION A-A

▲ DENOTES CRITICAL DIMENSION

USCONEC LTD. PROPRIETARY  
THIS DOCUMENT AND THE ASSOCIATED DATA CONTAIN RESTRICTED  
INFORMATION THAT IS USCONEC LTD. PROPERTY. DISCLOSE OR DUPLICATE FOR  
OTHERS ONLY AS AUTHORIZED BY USCONEC LTD.

Material:

REV.	DATE	DESCRIPTION	ECN

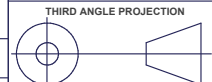
CUSTOMER  
DRAWING



Hickory, NC  
800-769-0944  
www.usconec.com

DIMENSIONS FOR REFERENCE  
ONLY

TITLE  
KIT, MTP-16™ CONNECTOR,  
3.4 - 3.8mm ROUND CABLE



SIZE B	S&M Part No.: SEE SHEET 1	DWG NO. C16528	REV F
-----------	------------------------------	-------------------	----------

METRIC/mm

SCALE N.T.S.	Drafter M.McCROSKY	Date 1/5/2015	SHEET 2 OF 2
-----------------	-----------------------	------------------	--------------