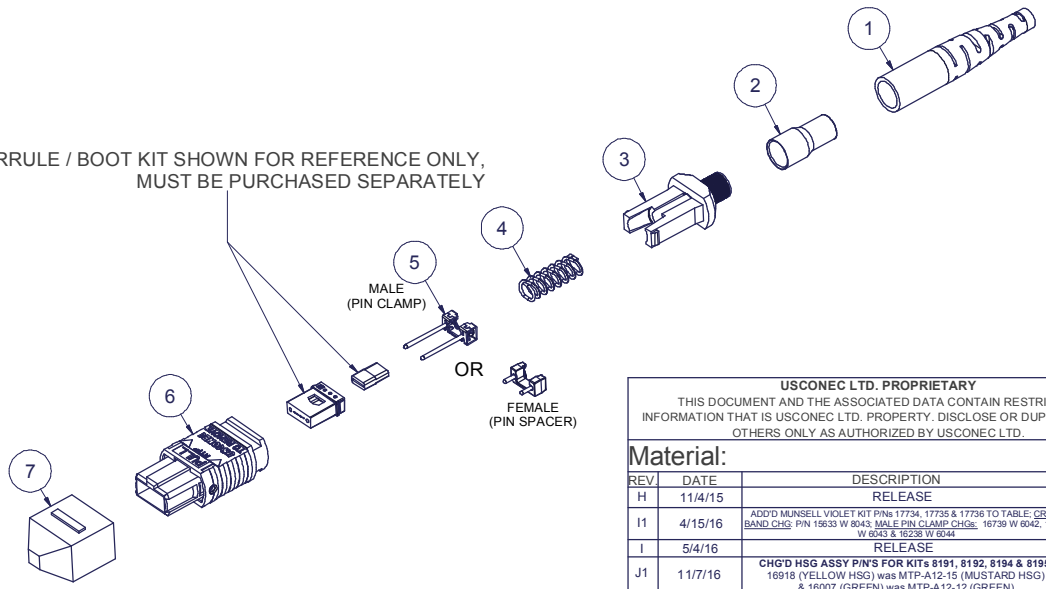


Parts List					COLUMN A			COLUMN B		
ITEM	DESCRIPTION	PART NUMBER	QTY	NOTES	KIT P/N	KIT DESCRIPTION	PERFORMANCE	PIN CLAMP/SPACER P/N	HSG ASSY P/N	HSG ASSY COLOR
1	CABLE BOOT	8041	1		8190	KIT, MTP®, MALE, MM, 3.0 RND, BEIGE	MM	16739	MTP-A12-11	BEIGE
2	CRIMP RING	15633	1		8191	KIT, MTP®, MALE, SM, 3.0 RND, GREEN	SM	16740	16007	GREEN
3	SPRING PUSH	8272	1		8192	KIT, MTP®, MALE, SM MTP Elite®, 3.0 RND, YELLOW	SM MTP Elite®	16238	16918	YELLOW
4	SPRING	MTP-A12-03	1		8193	KIT, MTP®, FEMALE, MM, 3.0 RND, BEIGE	MM	9386	MTP-A12-11	BEIGE
5	PIN CLAMP ASSY	SEE KIT TABLE COLUMN A	1	NOTE 1	8194	KIT, MTP®, FEMALE, SM, 3.0 RND, GREEN	SM or SM MTP Elite®	9386	16007	GREEN
6	HOUSING ASSY	SEE KIT TABLE COLUMN B	1		8195	KIT, MTP®, FEMALE, SM MTP Elite®, 3.0 RND, YELLOW	SM MTP Elite®	9386	16918	YELLOW
7	PROTECTIVE CAP	MTP-012-01	1		8196	KIT, MTP®, MALE, MM, 3.0 RND, BLACK	MM	16739	MTP-A12-02	BLACK

NOTES:  
 1. MALE CONNECTOR KIT HAS PIN CLAMP ASSEMBLY.  
 FEMALE CONNECTOR KIT HAS FEMALE PIN SPACER.

KIT P/N	KIT DESCRIPTION	PERFORMANCE	PIN CLAMP/SPACER P/N	HSG ASSY P/N	HSG ASSY COLOR
8190	KIT, MTP®, MALE, MM, 3.0 RND, BEIGE	MM	16739	MTP-A12-11	BEIGE
8191	KIT, MTP®, MALE, SM, 3.0 RND, GREEN	SM	16740	16007	GREEN
8192	KIT, MTP®, MALE, SM MTP Elite®, 3.0 RND, YELLOW	SM MTP Elite®	16238	16918	YELLOW
8193	KIT, MTP®, FEMALE, MM, 3.0 RND, BEIGE	MM	9386	MTP-A12-11	BEIGE
8194	KIT, MTP®, FEMALE, SM, 3.0 RND, GREEN	SM or SM MTP Elite®	9386	16007	GREEN
8195	KIT, MTP®, FEMALE, SM MTP Elite®, 3.0 RND, YELLOW	SM MTP Elite®	9386	16918	YELLOW
8196	KIT, MTP®, MALE, MM, 3.0 RND, BLACK	MM	16739	MTP-A12-02	BLACK
8197	KIT, MTP®, FEMALE, MM, 3.0 RND, BLACK	MM	9386	MTP-A12-02	BLACK
8198	KIT, MTP®, FEMALE, MM, 3.0 RND, AQUA	MM or MM MTP Elite®	9386	7871	AQUA
8200	KIT, MTP®, MALE, MM, 3.0 RND, AQUA	MM	16739	7871	AQUA
12513	KIT, MTP®, MALE, MM MTP Elite®, 3.0 RND, AQUA	MM MTP Elite®	16740	7871	AQUA
14211	KIT, MTP®, FEMALE, MM, 3.0 RND, MAGENTA	MM or MM MTP Elite®	9386	13949	MAGENTA
14212	KIT, MTP®, MALE, MM MTP Elite®, 3.0 RND, MAGENTA	MM MTP Elite®	16740	13949	MAGENTA
15039	KIT, MTP®, MALE, SM MTP Elite®, 3.0 RND, GREEN	SM MTP Elite®	16238	16007	GREEN
17088	KIT, MTP®, FEMALE, MM, 3.0 RND, HEATHER VIOLET	MM or MM MTP Elite®	9386	16693	HEATHER VIOLET
17089	KIT, MTP®, MALE, MM MTP Elite®, 3.0 RND, HEATHER VIOLET	MM MTP Elite®	16740	16693	HEATHER VIOLET
17734	KIT, MTP®, FEMALE, MM, 3.0 RND, MUNSELL VIOLET	MM or MM MTP Elite®	9386	16791	MUNSELL VIOLET
17735	KIT, MTP®, MALE, MM, 3.0 RND, MUNSELL VIOLET	MM	16739	16791	MUNSELL VIOLET
17736	KIT, MTP®, MALE, MM MTP Elite®, 3.0 RND, MUNSELL VIOLET	MM MTP Elite®	16740	16791	MUNSELL VIOLET

FERRULE / BOOT KIT SHOWN FOR REFERENCE ONLY,  
 MUST BE PURCHASED SEPARATELY



USCONEC LTD. PROPRIETARY  
 THIS DOCUMENT AND THE ASSOCIATED DATA CONTAIN RESTRICTED INFORMATION THAT IS USCONEC LTD. PROPERTY. DISCLOSE OR DUPLICATE FOR OTHERS ONLY AS AUTHORIZED BY USCONEC LTD.

Material:

REV	DATE	DESCRIPTION	ECN
H	11/4/15	RELEASE	1838-mm
I1	4/15/16	ADD'D MUNSELL VIOLET KIT P/Ns 17734, 17735 & 17736 TO TABLE; CRIMP BAND CHG; PIN 15633 W 8043; MALE PIN CLAMP CHG; 16739 W 8042; 16740 W 8043 & 16238 W 8044	1910-mm
I	5/4/16	RELEASE	1910-mm
J1	11/7/16	CHG'D HSG ASSY P/N'S FOR KITS 8191, 8192, 8194 & 8195; 16918 (YELLOW HSG) was MTP-A12-15 (MUSTARD HSG) & 16007 (GREEN) was MTP-A12-12 (GREEN)	1965-mm
J	11/22/16	RELEASE	

**CUSTOMER DRAWING**

USCONEC  
 Hickory, NC  
 800-769-0944  
 www.usconec.com

▲ DENOTES CRITICAL DIMENSION

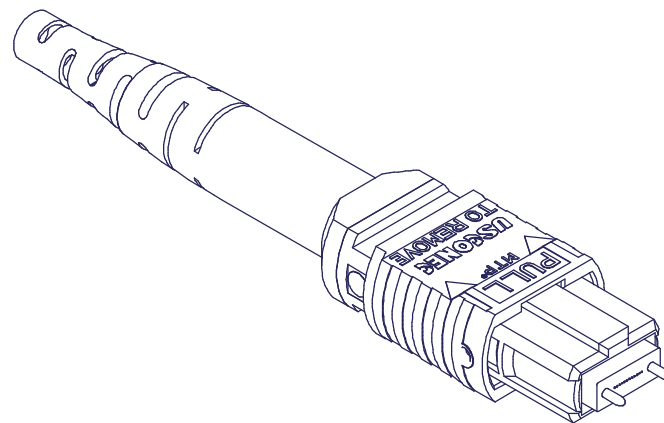
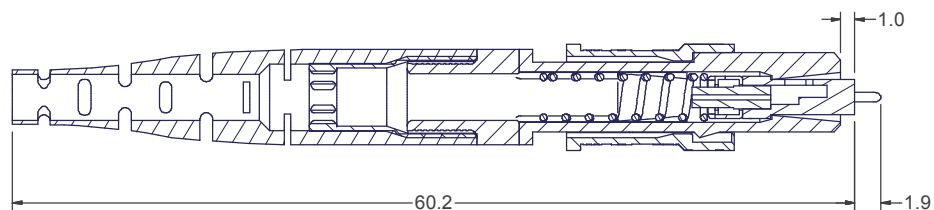
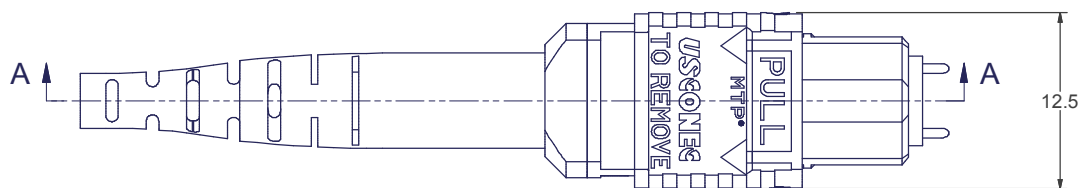
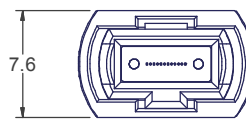
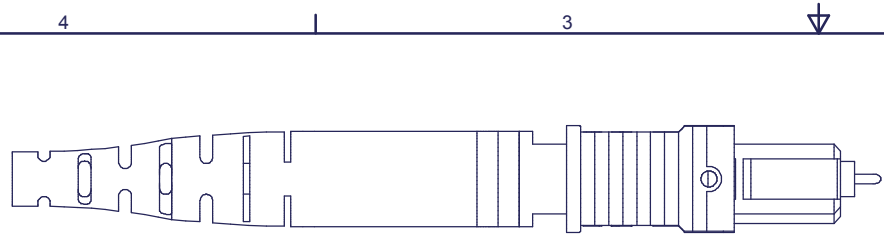
TITLE  
**KIT, MTP® CONNECTOR,  
 2.8 - 3.2mm ROUND CABLE**

SIZE S&M Part No.:  
**B SEE TABLE C8190**

SCALE N.T.S. Drafter M. YOUNT Date: 10/4/2005 SHEET 1 OF 2

REV J

METRIC/mm



SECTION A-A

USCONEC LTD. PROPRIETARY  
THIS DOCUMENT AND THE ASSOCIATED DATA CONTAIN RESTRICTED INFORMATION THAT IS USCONEC LTD. PROPERTY. DISCLOSE OR DUPLICATE FOR OTHERS ONLY AS AUTHORIZED BY USCONEC LTD.

Material:

REV	DATE	DESCRIPTION	ECN

**CUSTOMER DRAWING**

DIMENSIONS FOR REFERENCE ONLY

THIRD ANGLE PROJECTION

**METRIC/mm**

▲ DENOTES CRITICAL DIMENSION

**USCONEC** Hickory, NC  
800-769-0944  
[www.usconec.com](http://www.usconec.com)

TITLE  
**KIT, MTP® CONNECTOR,  
2.8 - 3.2mm ROUND CABLE**

SIZE <b>B</b>	S&M Part No.: SEE SHEET 1	DWG NO. <b>C8190</b>	REV <b>J</b>
SCALE N.T.S.	Drafter M. YOUNT	Date: 10/4/2005	SHEET 2 OF 2