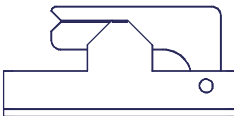
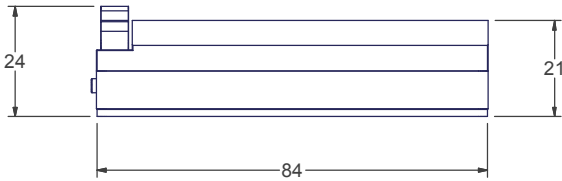
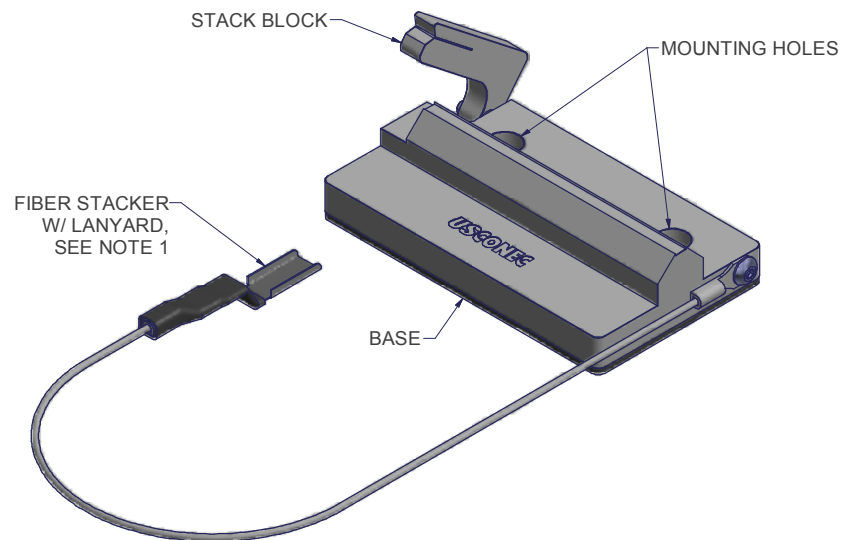
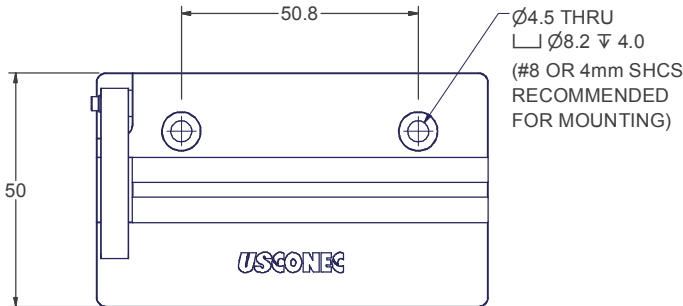


8 7 6 5 4 3 2 1

P/N	FIBER COUNT
8040	12F
8660	8F
8662	4F
15818	16F



NOTES:
 1. FIBER STACKER W/ LANYARD:
 P/N 8231 IF ORDERED SEPARATELY

USCONEC LTD. PROPRIETARY
 THIS DOCUMENT AND THE ASSOCIATED DATA CONTAIN RESTRICTED INFORMATION THAT IS USCONEC LTD. PROPERTY. DISCLOSE OR DUPLICATE FOR OTHERS ONLY AS AUTHORIZED BY USCONEC LTD.

Material: N/A

REV	DATE	DESCRIPTION	ECN
B	11/1/05	ADDED LANYARD, CHANGED PART/DWG NO. FROM 8184 TO 8040, ADDED NOTE 1	00686
C	3/15/06	ADDED MOUNTING SCREW RECOMMENDATION	00762
D	8/15/06	ADD TABLE FOR NEW FIBER COUNT VERSIONS	00823
E1	2/24/14	ADDED NEW 16 FIBER COUNT ASSY PN 15818	1681-mm
E	5/10/16	RELEASE	1681-mm

▲ DENOTES CRITICAL DIMENSION

CUSTOMER DRAWING

USCONEC

Hickory, NC
 800-769-0944
www.usconec.com

TITLE: TOOL, FIBER RIBBONIZING

THIRD ANGLE PROJECTION

SCALE: N.T.S. Drafter: M. YOUNT Date: 9/16/2005 SHEET 1 OF 1

SIZE: SEE TABLE DWG NO: C8040 REV: E

8 7 6 5 4 3 2 1