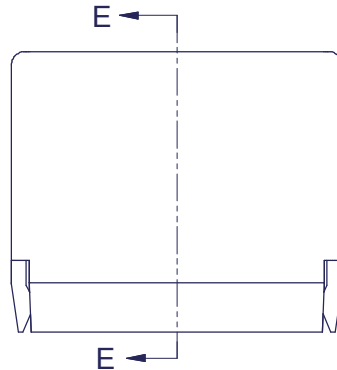
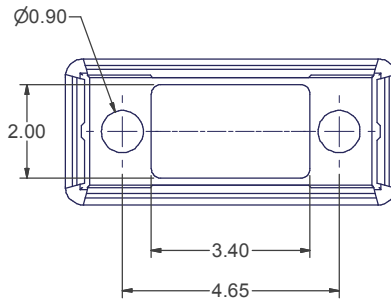
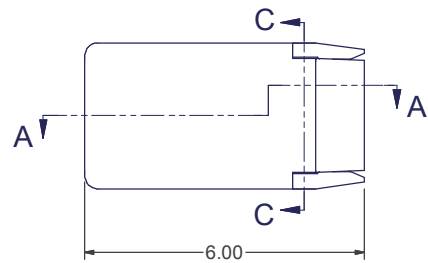
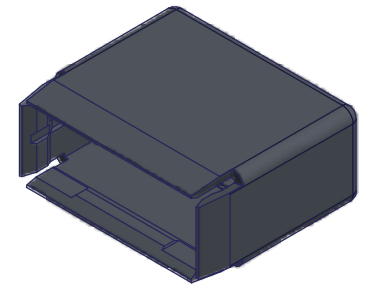
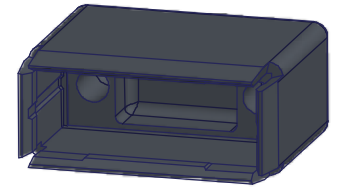
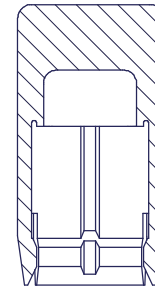


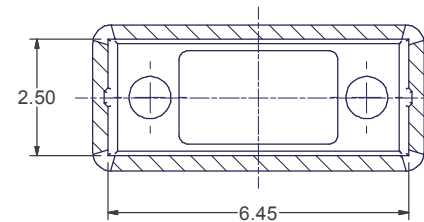
SECTION A-A



SECTION E-E



SECTION C-C



P/N	COLOR
7721	DK. GRAY
13884	RED
13673	GREEN

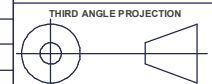
NOTES:

1. OUTGASSING LESS THAN 1% TOTAL MASS LOSS PER ASTM E595
2. SURFACE RESISTIVITY 1×10^{10} TO 1×10^{11} OHM (DISIPATIVE)
3. PART TO BE FREE OF CONTAMINATION AT 10X
4. UL 94 V0
5. REMOVAL FORCE > 0.1 LBF

USCONEC LTD. PROPRIETARY			
THIS DOCUMENT AND THE ASSOCIATED DATA CONTAIN RESTRICTED INFORMATION THAT IS USCONEC LTD. PROPERTY. DISCLOSE OR DUPLICATE FOR OTHERS ONLY AS AUTHORIZED BY USCONEC LTD.			
REV	DATE	DESCRIPTION	ECN
C	6/10/11	RELEASE	01323
D1	7/8/11	CORRECTED P/N'S: RED WAS 13673, GREEN WAS 13884	01343
D	7/11/11	RELEASE	01343
E1	9/12/13	NO PART CHANGE; DK. GRAY COLOR NAME WAS BLACK	01643
E	9/18/13	RELEASE	01643

CUSTOMER DRAWING

DIMENSIONS FOR REFERENCE ONLY



METRIC/mm



Hickory, NC
800-769-0944
www.usconec.com

TITLE
DUST CAP, FERRULE,
MTP® / MT

SIZE	S&M Part No.:	DWG NO.	REV
B	SEE TABLE	C7721	E
SCALE	Drafter	Date:	SHEET
N.T.S.	M. YOUNT	4/6/2005	1 OF 1

▲ DENOTES CRITICAL DIMENSION