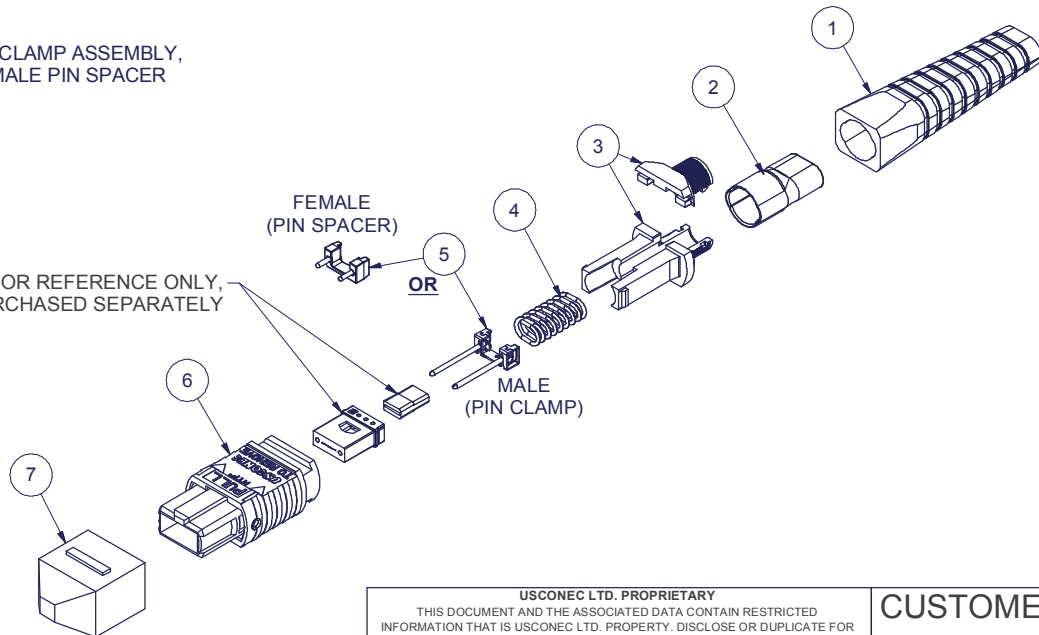


Parts List					3		2		1			
ITEM	DESCRIPTION	PART NUMBER	QTY	NOTES	KIT P/N	KIT DESCRIPTION	PERFORMANCE	COLUMN A PIN CLAMP/SPACER P/N	COLUMN B HSG ASSY P/N	COLUMN C SPRING P/N	HSG COLOR	
1	BOOT	16576	1		16963	KIT, MTP®, MALE, MM MTP Elite®, 2 X Ø3.0mm, HSF, AQUA	MM MTP Elite®	16742	7871	12501	AQUA	
2	CRIMP BAND	16422	1		16964	KIT, MTP®, FEMALE, MM, 2 X Ø3.0mm, HSF, BEIGE	MM	12918	MTP-A12-11	12501	BEIGE	
3	SPRING PUSH, 2 PC	13030	1		16965	KIT, MTP®, MALE, MM, 2 X Ø3.0mm, HSF, BEIGE	MM	16741	MTP-A12-11	12501	BEIGE	
4	SPRING	SEE KIT TABLE COLUMN C	1		16966	KIT, MTP®, FEMALE, MM, 2x X Ø3.0mm, HSF, BLACK	MM	12918	MTP-A12-02	12501	BLACK	
					16967	KIT, MTP®, MALE, MM, 2 X Ø3.0mm, HSF, BLACK	MM	16741	MTP-A12-02	12501	BLACK	
					16968	KIT, MTP®, FEMALE, MM, 2 X Ø3.0mm, HSF, AQUA	MM or MM MTP Elite®	12918	7871	12501	AQUA	
					16969	KIT, MTP®, MALE, MM, 2 X Ø3.0mm, HSF, AQUA	MM	16741	7871	12501	AQUA	
5	PIN CLAMP or PIN SPACER	SEE KIT TABLE COLUMN A	1	NOTE 1	18111	KIT, MTP®, FEMALE, SM, 2 X Ø3.0mm, HSF, GREEN	SM or SM MTP Elite®	12918	16007	17881	GREEN	
					18112	KIT, MTP®, MALE, SM, 2 X Ø3.0mm, HSF, GREEN	SM	16742	16007	17881	GREEN	
B 6	HOUSING ASSY	SEE KIT TABLE COLUMN B	1		18113	KIT, MTP®, FEMALE, SM MTP Elite®, 2 X Ø3.0mm, HSF, YELLOW	SM MTP Elite®	12918	16918	17881	YELLOW	
					18114	KIT, MTP®, MALE, SM MTP Elite®, 2 X Ø3.0mm, HSF, YELLOW	SM MTP Elite®	16743	16918	17881	YELLOW	
7	PROTECTIVE CAP	MTP-012-01	1									

NOTES:

1. MALE CONNECTOR KIT HAS PIN CLAMP ASSEMBLY,
FEMALE CONNECTOR KIT HAS FEMALE PIN SPACER

FERRULE / BOOT KIT SHOWN FOR REFERENCE ONLY,
MUST BE PURCHASED SEPARATELY



USCONEC LTD. PROPRIETARY
THIS DOCUMENT AND THE ASSOCIATED DATA CONTAIN RESTRICTED
INFORMATION THAT IS USCONEC LTD. PROPERTY. DISCLOSE OR DUPLICATE FOR
OTHERS ONLY AS AUTHORIZED BY USCONEC LTD.

Material:

REV	DATE	DESCRIPTION	ECN
A	3/29/16	MALE PIN CLAMP 16742 was 13376; MALE PIN CLAMP 16741 was 6891 INITIAL RELEASE	1810-mm
B1	8/2/16	ADD'D KIT P/N'S 18111, 18112, 18113 & 18114 TO TABLE; CHG'D SPRING P/N: 17881 was 12501	
	11/22/16	ADD'D COLUMN C TO KIT TABLE. CHG'D SPRING P/N FOR MM KITS: 12501 was 17881. UPDATED KIT DESC'S & TITLE FORMAT	1967-mm
B	12/15/16	RELEASE	

CUSTOMER DRAWING

DIMENSIONS FOR REFERENCE ONLY

THIRD ANGLE PROJECTION

METRIC/mm

▲ DENOTES CRITICAL DIMENSION

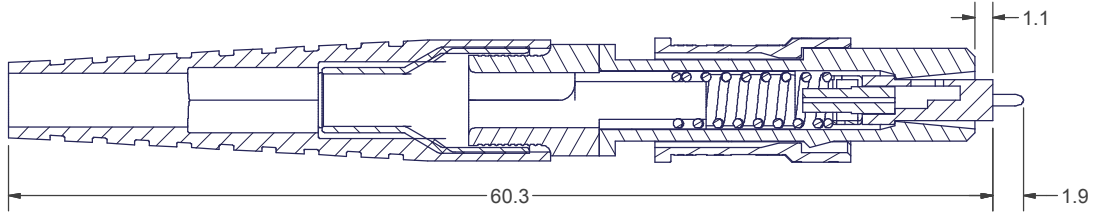
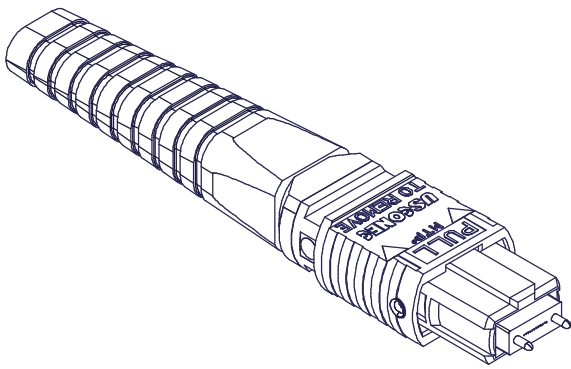
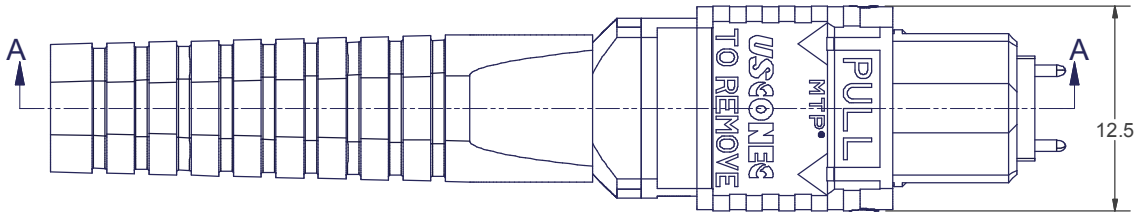
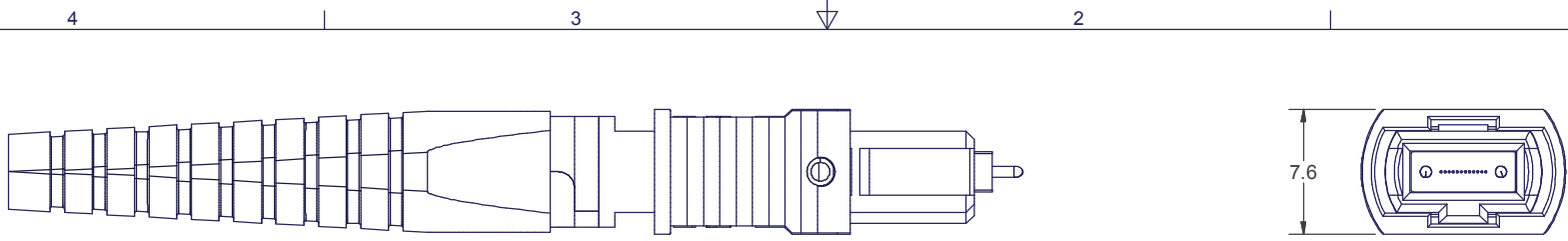
USCONEC Hickory, NC
800-769-0944
www.usconec.com

TITLE
KIT, MTP® CONNECTOR,
2 X Ø3.0mm, HIGH SPRING FORCE

SIZE S&M Part No.:
B SEE TABLE

DWG NO. **C16963** REV **B**

SCALE N.T.S. Drafter M.McCROSKEY Date: 8/7/2015 SHEET 1 OF 2



SECTION A-A

USCONEC LTD. PROPRIETARY
THIS DOCUMENT AND THE ASSOCIATED DATA CONTAIN RESTRICTED INFORMATION THAT IS USCONEC LTD. PROPERTY. DISCLOSE OR DUPLICATE FOR OTHERS ONLY AS AUTHORIZED BY USCONEC LTD.

Material:

REV	DATE	DESCRIPTION	ECN
		SEE SHEET 1	

CUSTOMER DRAWING

DIMENSIONS FOR REFERENCE ONLY

THIRD ANGLE PROJECTION

METRIC/mm

▲ DENOTES CRITICAL DIMENSION

Hickory, NC
800-769-0944
www.usconec.com

USCONEC

TITLE
KIT, MTP® CONNECTOR,
2 X Ø3.0mm, HIGH SPRING FORCE

SIZE	S&M Part No.:	DWG NO.	REV
B	SEE SHEET 1	C16963	B
SCALE	Drafter	Date:	SHEET
N.T.S.	M.McCROSKY	8/7/2015	2 OF 2