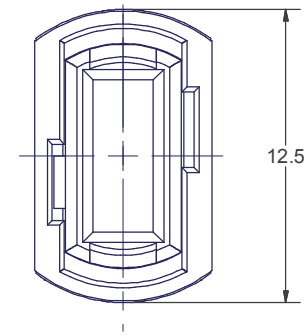
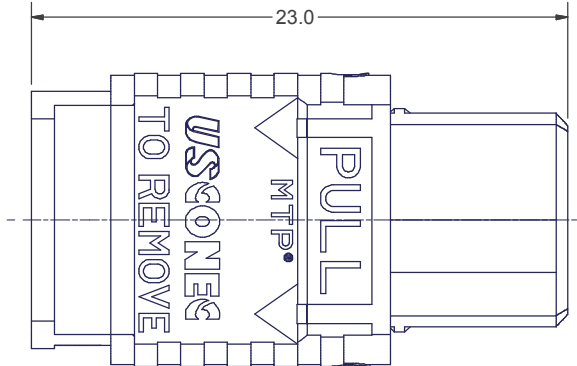
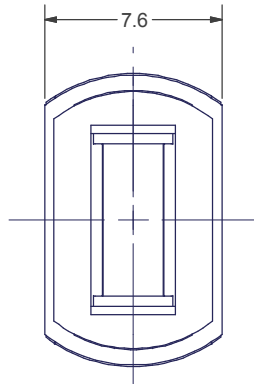
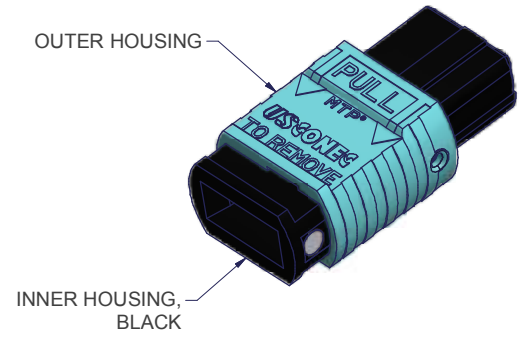
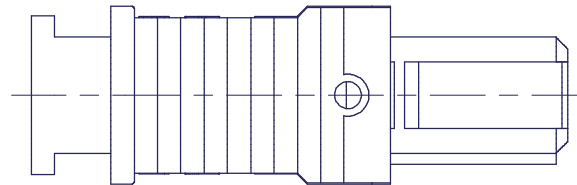


HOUSING ASSY. P/N	OUTER HSG. COLOR
16819	AQUA
16822	MAGENTA
17700	MUNSELL VIOLET



**USCONEC LTD. PROPRIETARY**  
THIS DOCUMENT AND THE ASSOCIATED DATA CONTAIN RESTRICTED INFORMATION THAT IS USCONEC LTD. PROPERTY. DISCLOSE OR DUPLICATE FOR OTHERS ONLY AS AUTHORIZED BY USCONEC LTD.

**Material:** N/A

REV	DATE	DESCRIPTION	ECN
X1	7/16/15	----	1760-mc
-	3/18/16	ADDED HSG. LABELS TO ISO. VIEW	1760-my
A	3/28/16	ADDED ASSY P/N 17700 TO TABLE	1760-mm
		INITIAL RELEASE	

▲ DENOTES CRITICAL DIMENSION

**CUSTOMER DRAWING**

**USCONEC** Hickory, NC  
800-769-0944  
[www.usconec.com](http://www.usconec.com)

**TITLE** ASSEMBLY, HOUSING, MTP-16™

SIZE S&M Part No.: DWG NO. **C16819** REV **A**

SCALE N.T.S. Drafter **M. CLOUD** Date: **7/16/2015** SHEET **1** OF **1**

**METRIC/mm**

THIRD ANGLE PROJECTION