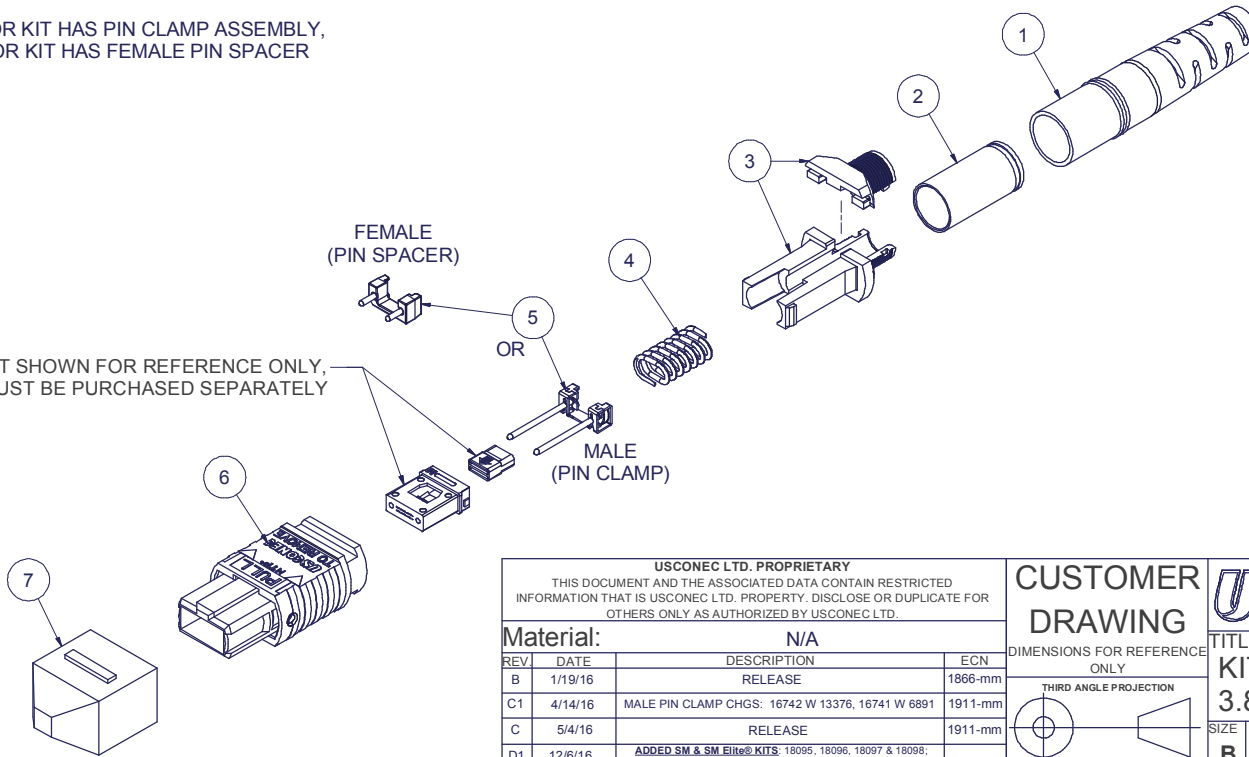


Parts List									COLUMN A		COLUMN B	COLUMN C	
ITEM	DESCRIPTION	PART NUMBER	QTY	NOTES	KIT P/N	KIT DESCRIPTION	PERFORMANCE	PIN CLAMP/SPACER P/N	HSG ASSY P/N	SPRING P/N	HSG ASSY COLOR		
1	CABLE BOOT	13168	1		16561	KIT, MTP®, MALE, MM MTP Elite®, 4.0 RND, HSF, AQUA	MM MTP Elite®	16742	7871	12501	AQUA		
2	CRIMP RING	16543	1		16562	KIT, MTP®, FEMALE, MM, 4.0 RND, HSF, BEIGE	MM	12918	MTP-A12-11	12501	BEIGE		
3	SPRING PUSH, 2PC	13030	1		16563	KIT, MTP®, MALE, MM, 4.0 RND, HSF, BEIGE	MM	16741	MTP-A12-11	12501	BEIGE		
4	SPRING	SEE KIT TABLE COLUMN C	1		16564	KIT, MTP®, FEMALE, MM, 4.0 RND, HSF, BLACK	MM	12918	MTP-A12-02	12501	BLACK		
					16565	KIT, MTP®, MALE, MM, 4.0 RND, HSF, BLACK	MM	16741	MTP-A12-02	12501	BLACK		
5	PIN CLAMP or PIN SPACER	SEE KIT TABLE COLUMN A	1	NOTE 1	16566	KIT, MTP®, FEMALE, MM, 4.0 RND, HSF, AQUA	MM or MM MTP Elite®	12918	7871	12501	AQUA		
					16567	KIT, MTP®, MALE, MM, 4.0 RND, HSF, AQUA	MM	16741	7871	12501	AQUA		
6	HOUSING ASSY	SEE KIT TABLE COLUMN B	1		18095	KIT, MTP®, FEMALE, SM, 4.0 RND, HSF, GREEN	SM or SM MTP Elite®	12918	16007	17881	GREEN		
					18096	KIT, MTP®, MALE, SM, 4.0 RND, HSF, GREEN	SM	16742	16007	17881	GREEN		
7	PROTECTIVE CAP	MTP-012-01	1		18097	KIT, MTP®, FEMALE, SM MTP Elite®, 4.0 RND, HSF, YELLOW	SM MTP Elite®	12918	16918	17881	YELLOW		
					18098	KIT, MTP®, MALE, SM MTP Elite®, 4.0 RND, HSF, YELLOW	SM MTP Elite®	16743	16918	17881	YELLOW		

NOTES:

1. MALE CONNECTOR KIT HAS PIN CLAMP ASSEMBLY, FEMALE CONNECTOR KIT HAS FEMALE PIN SPACER

FERRULE/BOOT KIT SHOWN FOR REFERENCE ONLY, MUST BE PURCHASED SEPARATELY



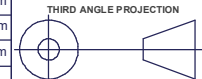
USCONEC LTD. PROPRIETARY
THIS DOCUMENT AND THE ASSOCIATED DATA CONTAIN RESTRICTED INFORMATION THAT IS USCONEC LTD. PROPERTY. DISCLOSE OR DUPLICATE FOR OTHERS ONLY AS AUTHORIZED BY USCONEC LTD.

Material: N/A

REV	DATE	DESCRIPTION	ECN
B	1/19/16	RELEASE	1866-mm
C1	4/14/16	MALE PIN CLAMP CHGS: 16742 W 13376, 16741 W 6891	1911-mm
C	5/4/16	RELEASE	1911-mm
D1	12/6/16	ADDED SM & SM Elite® KITS: 18095, 18096, 18097 & 18098; ADDED COLUMN C TO TABLE	1964-mm
D	12/16/16	RELEASE	

CUSTOMER DRAWING

DIMENSIONS FOR REFERENCE ONLY



METRIC/mm

▲ DENOTES CRITICAL DIMENSION

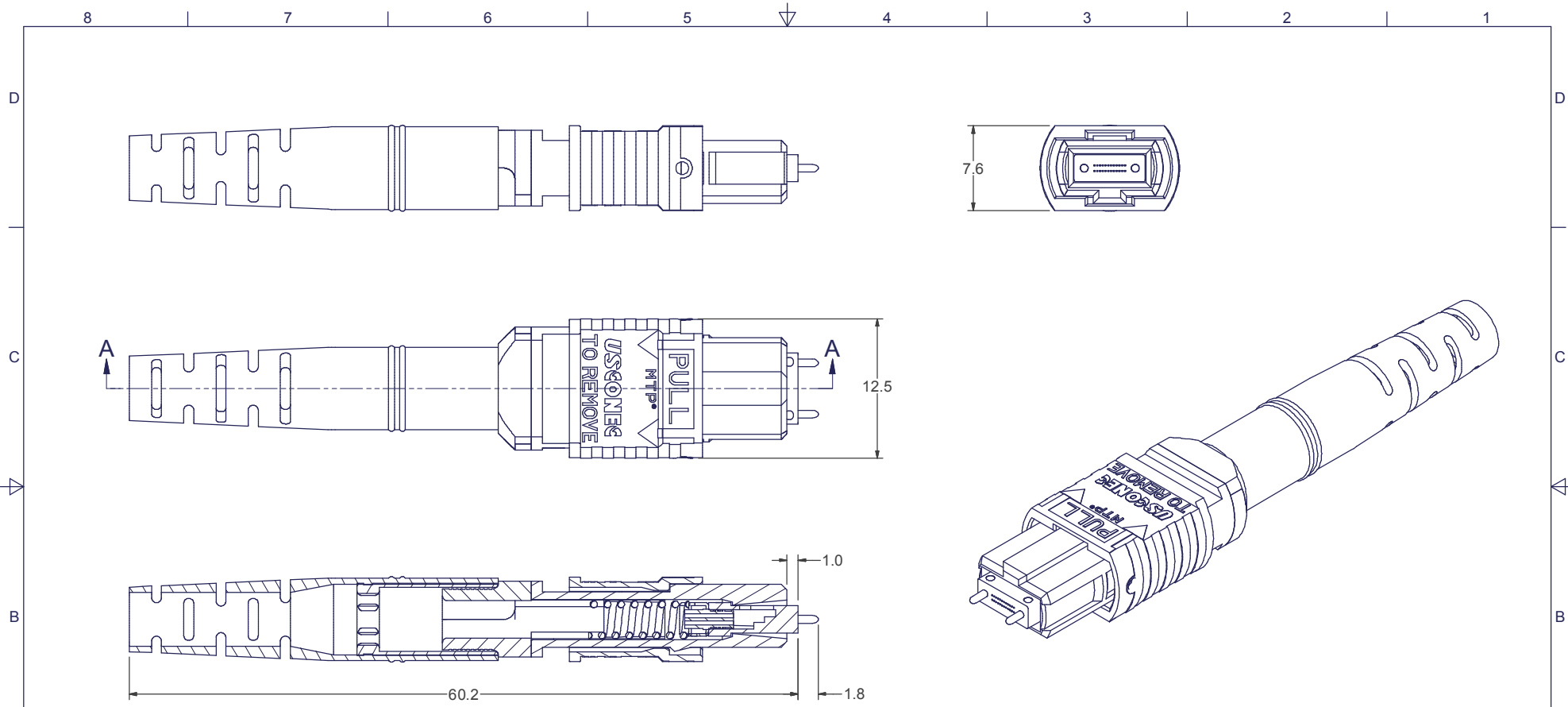
Hickory, NC
800-769-0944
www.usconec.com

USCONEC

TITLE
KIT, MTP® CONNECTOR,
3.8 - 4.2mm RND CABLE, HSF

SIZE S&M Part No.: SEE TABLE DWG NO. **C16561** REV D

SCALE N.T.S. Drafter M.McCROSKEY Date: 1/13/2015 SHEET 1 OF 2



SECTION A-A

USCONEC LTD. PROPRIETARY
THIS DOCUMENT AND THE ASSOCIATED DATA CONTAIN RESTRICTED INFORMATION THAT IS USCONEC LTD. PROPERTY. DISCLOSE OR DUPLICATE FOR OTHERS ONLY AS AUTHORIZED BY USCONEC LTD.

Material: N/A

REV	DATE	DESCRIPTION	ECN
		SEE SHEET 1	

CUSTOMER DRAWING

DIMENSIONS FOR REFERENCE ONLY

THIRD ANGLE PROJECTION

METRIC/mm

▲ DENOTES CRITICAL DIMENSION

Hickory, NC
800-769-0944
www.usconec.com

USCONEC

TITLE
**KIT, MTP® CONNECTOR,
3.8 - 4.2mm RND CABLE, HSF**

SIZE	S&M Part No.:	DWG NO.	REV
B	SEE TABLE	C16561	D
SCALE	Drafter	Date:	SHEET
N.T.S.	M.McCROSKY	1/13/2015	2 OF 2