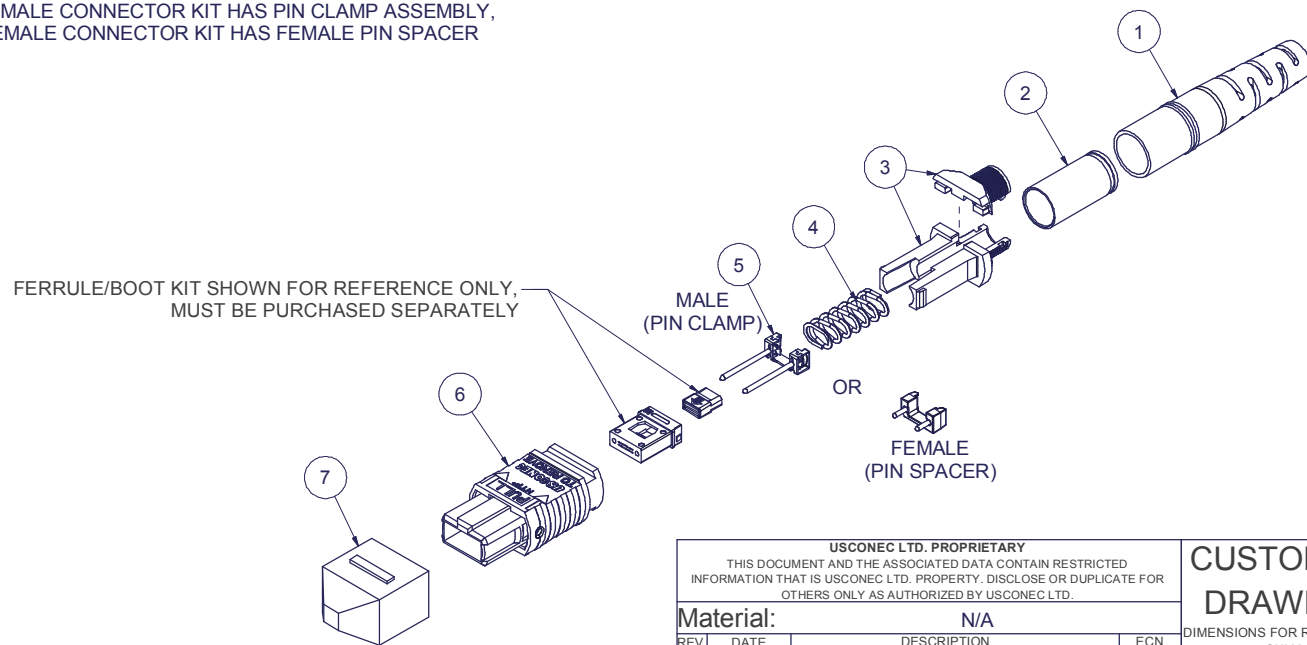


Parts List				
ITEM	DESCRIPTION	PART NUMBER	QTY	NOTES
1	CABLE BOOT	13168	1	
2	CRIMP RING	16543	1	
3	SPRING PUSH, 2PC	13030	1	
4	SPRING	14511	1	
5	PIN CLAMP or PIN SPACER	SEE KIT TABLE COLUMN A	1	NOTE 1
6	HOUSING ASSY	SEE KIT TABLE COLUMN B	1	
7	PROTECTIVE CAP	MTP-012-01	1	

KIT P/N	KIT DESCRIPTION	PERFORMANCE	COLUMN A	COLUMN B	HSG ASSY COLOR
			PIN CLAMP/SPACER P/N	HSG ASSY P/N	
16550	KIT, MTP®, FEMALE, MM, 4.0 RND, AQUA	MM or MM MTP Elite®	12918	7871	AQUA
16551	KIT, MTP®, MALE, MM, 4.0 RND, AQUA	MM	16741	7871	AQUA
16552	KIT, MTP®, MALE, MM MTP Elite®, 4.0 RND, AQUA	MM MTP Elite®	16742	7871	AQUA
16553	KIT, MTP®, FEMALE, MM, 4.0 RND, BEIGE	MM	12918	MTP-A12-11	BEIGE
16554	KIT, MTP®, MALE, MM, 4.0 RND, BEIGE	MM	16741	MTP-A12-11	BEIGE
16555	KIT, MTP®, FEMALE, SM, 4.0 RND, GREEN	SM or SM MTP Elite®	12918	16007	GREEN
16556	KIT, MTP®, MALE, SM, 4.0 RND, GREEN	SM	16742	16007	GREEN
16557	KIT, MTP®, FEMALE, SM MTP Elite®, 4.0 RND, YELLOW	SM MTP Elite®	12918	16918	YELLOW
16558	KIT, MTP®, MALE, SM MTP Elite®, 4.0 RND, YELLOW	SM MTP Elite®	16743	16918	YELLOW
16559	KIT, MTP®, FEMALE, MM, 4.0 RND, BLACK	MM	12918	MTP-A12-02	BLACK
16560	KIT, MTP®, MALE, MM, 4.0 RND, BLACK	MM	16741	MTP-A12-02	BLACK

NOTES:

1. MALE CONNECTOR KIT HAS PIN CLAMP ASSEMBLY,  
FEMALE CONNECTOR KIT HAS FEMALE PIN SPACER



USCONEC LTD. PROPRIETARY  
THIS DOCUMENT AND THE ASSOCIATED DATA CONTAIN RESTRICTED INFORMATION THAT IS USCONEC LTD. PROPERTY. DISCLOSE OR DUPLICATE FOR OTHERS ONLY AS AUTHORIZED BY USCONEC LTD.

Material: N/A

REV	DATE	DESCRIPTION	ECN
B1	4/14/16	MALE PIN CLAMP CHGS: 16742 W 13376, 16741 W 6891 & 16743 W 13377	1911-mm
B	5/4/16	RELEASE	1911-mm
C1	12/6/16	HSG CHG'S: 16007 (GREEN) was MTP-A12-12 (GREEN); 16918 (YELLOW) was MTP-A12-15 (MUSTARD)	1964-mm
C	12/16/16	RELEASE	

▲ DENOTES CRITICAL DIMENSION

CUSTOMER DRAWING

USCONEC  
Hickory, NC  
800-769-0944  
www.usconec.com

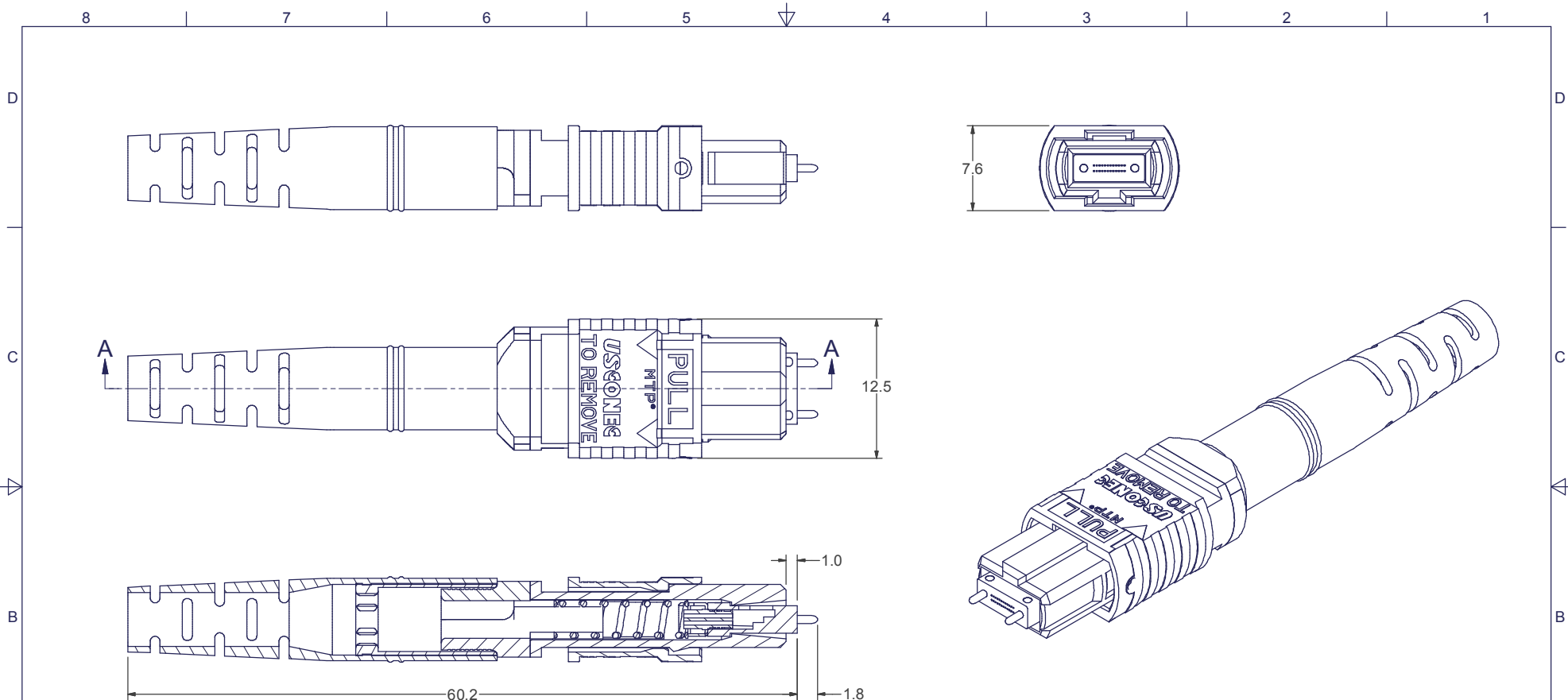
TITLE  
KIT, MTP® CONNECTOR,  
3.8 - 4.2mm RND CABLE

SIZE: S&M Part No.: SEE TABLE  
SCALE: N.T.S. Drafter: M.McCROSKY Date: 1/13/2015

DWG NO: C16550  
REV: C

METRIC/mm

SHEET 1 OF 2



SECTION A-A

USCONEC LTD. PROPRIETARY  
 THIS DOCUMENT AND THE ASSOCIATED DATA CONTAIN RESTRICTED INFORMATION THAT IS USCONEC LTD. PROPERTY. DISCLOSE OR DUPLICATE FOR OTHERS ONLY AS AUTHORIZED BY USCONEC LTD.

Material: N/A

REV	DATE	DESCRIPTION	ECN
		SEE SHEET 1	

**CUSTOMER DRAWING**

DIMENSIONS FOR REFERENCE ONLY

THIRD ANGLE PROJECTION

**METRIC/mm**

▲ DENOTES CRITICAL DIMENSION

**USCONEC** Hickory, NC  
 800-769-0944  
 www.usconec.com

TITLE  
**KIT, MTP® CONNECTOR,  
 3.8 - 4.2mm RND CABLE**

SIZE	S&M Part No.:	DWG NO.	REV
<b>B</b>	SEE TABLE	<b>C16550</b>	<b>C</b>
SCALE	Drafter	Date:	SHEET
N.T.S.	M.McCROSKY	1/13/2015	2 OF 2