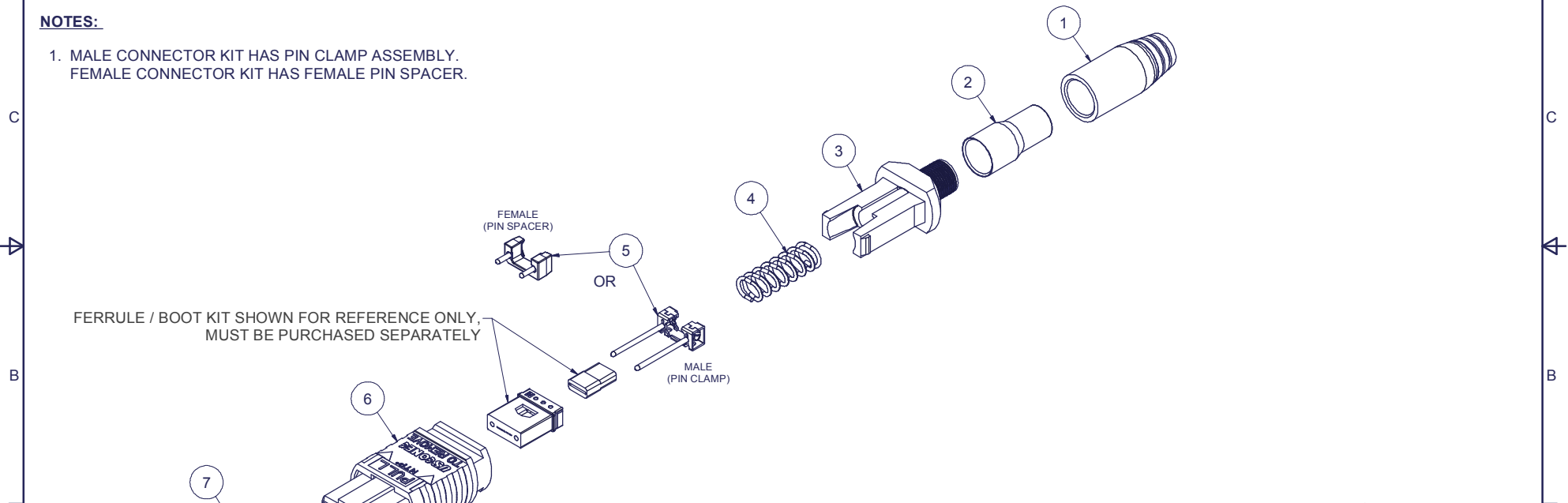


Parts List				
ITEM	DESCRIPTION	PART NUMBER	QTY	NOTES
1	3.0 SHORT BOOT	16457	1	
2	CRIMP BAND, 3.0 ROUND, MTP®	15633	1	
3	SPRING PUSH	8272	1	
4	SPRING	MTP-A12-03	1	
5	PIN CLAMP	SEE KIT TABLE COLUMN A	1	NOTE 1
6	HOUSING ASSY	SEE KIT TABLE COLUMN B	1	
7	PROTECTIVE CAP	MTP-012-01	1	

KIT P/N	KIT DESCRIPTION	PERFORMANCE	COLUMN A	COLUMN B	HSG ASSY COLOR
			PIN CLAMP/SPACER PN	HSG ASSY PN	
16458	KIT, MTP® FEMALE, MM, 3.0, RND, SHORT BOOT, AQUA	MM or MM MTP Elite®	9386	7871	AQUA
16459	KIT, MTP® MALE, MM, 3.0, RND, SHORT BOOT, AQUA	MM	16739	7871	AQUA
16460	KIT, MTP® MALE, MM MTP Elite®, 3.0, RND, SHORT BOOT, AQUA	MM MTP Elite®	16740	7871	AQUA
16461	KIT, MTP® FEMALE, MM, 3.0, RND, SHORT BOOT, BEIGE	MM	9386	MTP-A12-11	BEIGE
16462	KIT, MTP® MALE, MM, 3.0, RND, SHORT BOOT, BEIGE	MM	16739	MTP-A12-11	BEIGE
16463	KIT, MTP® FEMALE, SM, 3.0, RND, SHORT BOOT, GREEN	SM or SM MTP Elite®	9386	16007	GREEN
16464	KIT, MTP® MALE, SM, 3.0, RND, SHORT BOOT, GREEN	SM	16740	16007	GREEN
16465	KIT, MTP® FEMALE, SM MTP Elite®, 3.0, RND, SHORT BOOT, YELLOW	SM MTP Elite®	9386	16918	YELLOW
16466	KIT, MTP® MALE, SM MTP Elite®, 3.0, RND, SHORT BOOT, YELLOW	SM MTP Elite®	16238	16918	YELLOW
16467	KIT, MTP® FEMALE, MM, 3.0, RND, SHORT BOOT, BLACK	MM	9386	MTP-A12-02	BLACK
16468	KIT, MTP® MALE, MM, 3.0, RND, SHORT BOOT, BLACK	MM	16739	MTP-A12-02	BLACK

NOTES:

- 1. MALE CONNECTOR KIT HAS PIN CLAMP ASSEMBLY.
FEMALE CONNECTOR KIT HAS FEMALE PIN SPACER.



FERRULE / BOOT KIT SHOWN FOR REFERENCE ONLY, MUST BE PURCHASED SEPARATELY

USCONEC LTD. PROPRIETARY
THIS DOCUMENT AND THE ASSOCIATED DATA CONTAIN RESTRICTED INFORMATION THAT IS USCONEC LTD. PROPERTY. DISCLOSE OR DUPLICATE FOR OTHERS ONLY AS AUTHORIZED BY USCONEC LTD.

Material:

REV	DATE	DESCRIPTION	ECN
B1	4/15/16	CORR: SPRING PIN: MTP-A12-03 W 10285; UPDATED TITLE FORMAT; CRIMP BAND CHG: PIN 15633 W 8043; MALE PIN CLAMP CHGS: 16739 W 8042, 16740 W 8043 & 16238 W 6044	1910-mm
B	5/4/16	RELEASE	
B	11/1/16	CORRECTION: REMOVED "HIGH FORCE" FROM SPRING DESCRIPTION	
C1	11/7/16	CHGD HSG ASSY P/N's FOR KITS 16463, 16464, 16465 & 16466: 16918 (YELLOW HSG) was MTP-A12-15 (MUSTARD HSG) & 16007 (GREEN HSG) was MTP-A12-12 (GREEN HSG); UPDATED TITLE FORMAT	1965-mm
C	11/22/16	RELEASE	

▲ DENOTES CRITICAL DIMENSION

CUSTOMER DRAWING

USCONEC Hickory, NC
800-769-0944
www.usconec.com

TITLE
KIT, MTP® CONN., 2.8 - 3.2 mm RND CBL, SHORT BOOT

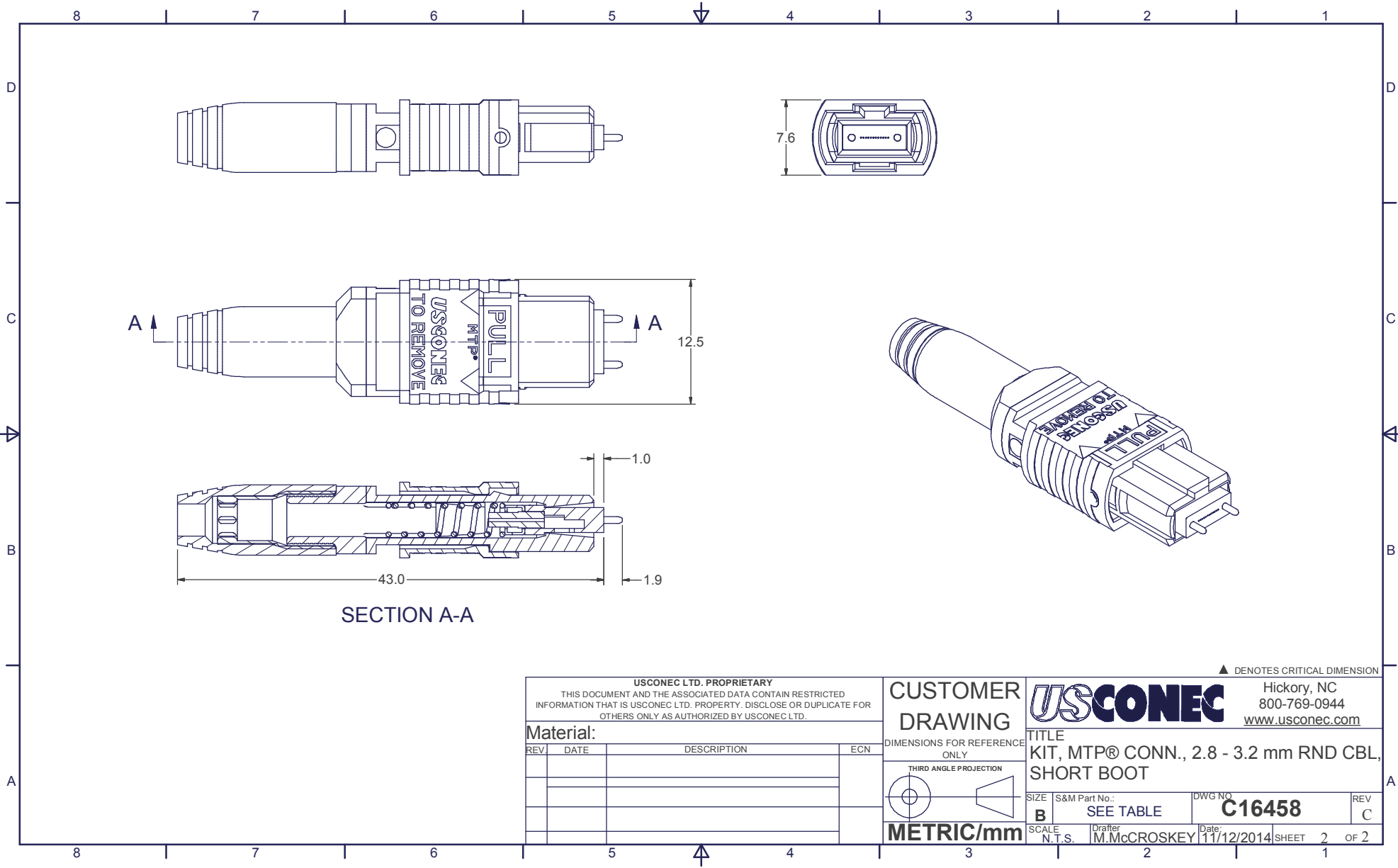
DIMENSIONS FOR REFERENCE ONLY

THIRD ANGLE PROJECTION

SCALE: METRIC/mm

SIZE: S&M Part No.: SEE TABLE DWG NO: **C16458** REV: C

SCALE: N.T.S. Drafter: M.McCROSKEY Date: 11/12/2014 SHEET 1 OF 2



SECTION A-A

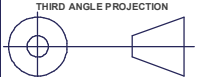
USCONEC LTD. PROPRIETARY
 THIS DOCUMENT AND THE ASSOCIATED DATA CONTAIN RESTRICTED INFORMATION THAT IS USCONEC LTD. PROPERTY. DISCLOSE OR DUPLICATE FOR OTHERS ONLY AS AUTHORIZED BY USCONEC LTD.

Material:

REV	DATE	DESCRIPTION	ECN

CUSTOMER DRAWING

DIMENSIONS FOR REFERENCE ONLY



METRIC/mm



Hickory, NC
 800-769-0944
www.usconec.com

TITLE
 KIT, MTP® CONN., 2.8 - 3.2 mm RND CBL,
 SHORT BOOT

SIZE	S&M Part No.:	DWG NO.	REV
B	SEE TABLE	C16458	C
SCALE	Drafter	Date:	SHEET
N.T.S.	M.McCROSKY	11/12/2014	2 OF 2

▲ DENOTES CRITICAL DIMENSION