

Parts List				
ITEM	DESCRIPTION	PART NUMBER	QTY	NOTES
1	CABLE BOOT	8041	1	
2	CRIMP RING	16425	1	
3	SPRING PUSH	8272	1	
4	SPRING	MTP-A12-03	1	
5	PIN CLAMP or PIN SPACER	SEE KIT TABLE COLUMN A	1	NOTE 1
6	HOUSING ASSY	SEE KIT TABLE COLUMN B	1	
7	PROTECTIVE CAP	MTP-012-01	1	

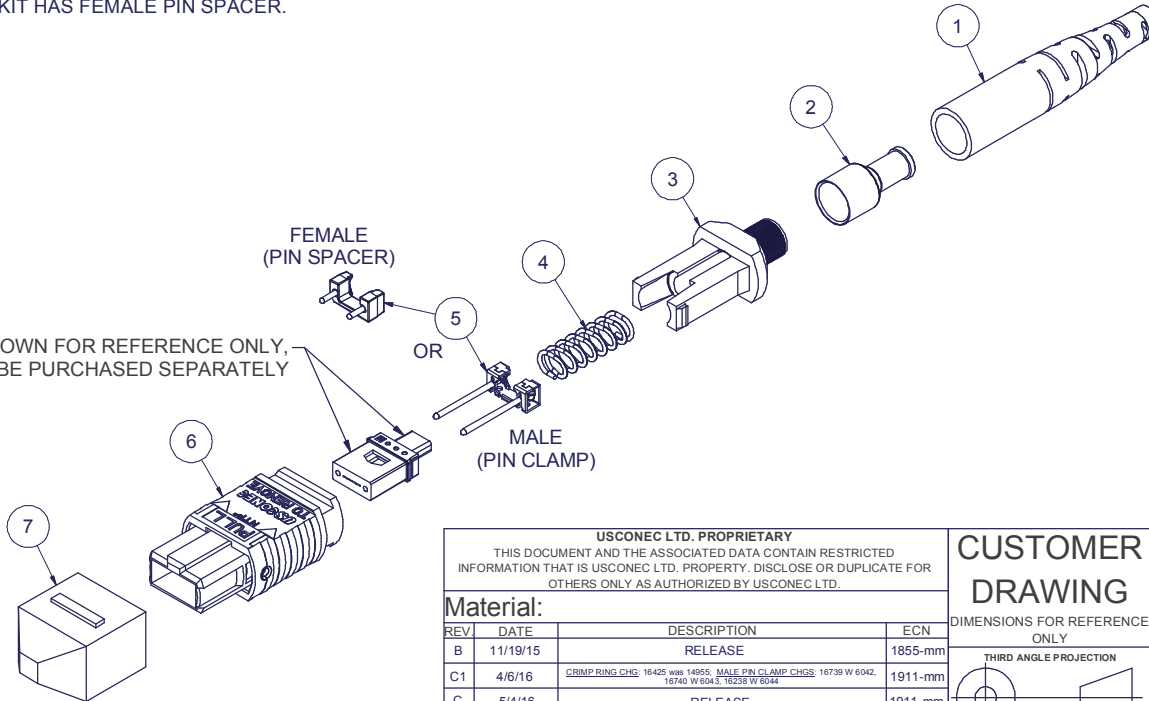
  

KIT P/N	KIT DESCRIPTION	PERFORMANCE	COLUMN A PIN CLAMP/SPACER PN	COLUMN B HSG ASSY PN	HSG ASSY COLOR
15514	KIT, MTP®, FEMALE, MM, 2.5 RND, AQUA	MM or MM MTP Elite®	9386	7871	AQUA
15515	KIT, MTP®, MALE, MM, 2.5 RND, AQUA	MM	16739	7871	AQUA
15516	KIT, MTP®, MALE, MM MTP Elite®, 2.5 RND, AQUA	MM MTP Elite®	16740	7871	AQUA
15517	KIT, MTP®, FEMALE, MM, 2.5 RND, BEIGE	MM	9386	MTP-A12-11	BEIGE
15518	KIT, MTP®, MALE, MM, 2.5 RND, BEIGE	MM	16739	MTP-A12-11	BEIGE
15519	KIT, MTP®, FEMALE, SM, 2.5 RND, GREEN	SM or SM MTP Elite®	9386	16007	GREEN
15520	KIT, MTP®, MALE, SM, 2.5 RND, GREEN	SM	16740	16007	GREEN
15521	KIT, MTP®, FEMALE, SM MTP Elite®, 2.5 RND, YELLOW	SM MTP Elite®	9386	16918	YELLOW
15522	KIT, MTP®, MALE, SM MTP Elite®, 2.5 RND, YELLOW	SM MTP Elite®	16238	16918	YELLOW
17162	KIT, MTP®, FEMALE, MM, 2.5 RND, HEATHER VIOLET	MM or MM MTP Elite®	9386	16693	HEATHER VIOLET
17163	KIT, MTP®, MALE, MM MTP Elite®, 2.5 RND, HEATHER VIOLET	MM MTP Elite®	16740	16693	HEATHER VIOLET

**NOTES:**

- MALE CONNECTOR KIT HAS PIN CLAMP ASSEMBLY.  
FEMALE CONNECTOR KIT HAS FEMALE PIN SPACER.

FERRULE / BOOT KIT SHOWN FOR REFERENCE ONLY,  
MUST BE PURCHASED SEPARATELY



USCONEC LTD. PROPRIETARY  
THIS DOCUMENT AND THE ASSOCIATED DATA CONTAIN RESTRICTED  
INFORMATION THAT IS USCONEC LTD. PROPERTY. DISCLOSE OR DUPLICATE FOR  
OTHERS ONLY AS AUTHORIZED BY USCONEC LTD.

**Material:**

REV	DATE	DESCRIPTION	ECN
B	11/19/15	RELEASE	1855-mm
C1	4/6/16	CRIMP RING CHG: 16425 was 14955; MALE PIN CLAMP CHGS: 16739 W/ 6042, 16740 W/ 6043, 16238 W/ 6044	1911-mm
C	5/4/16	RELEASE	1911-mm
D1	1/19/17	HSG ASSY CHG: 16007 (GREEN) was MTP-A12-12 (GREEN); 16918 (YELLOW) was MTP-A12-15 (MUSTARD)	2000-mm
D	2/23/17	RELEASE	

**CUSTOMER DRAWING**

DIMENSIONS FOR REFERENCE ONLY

THIRD ANGLE PROJECTION

**METRIC/mm**

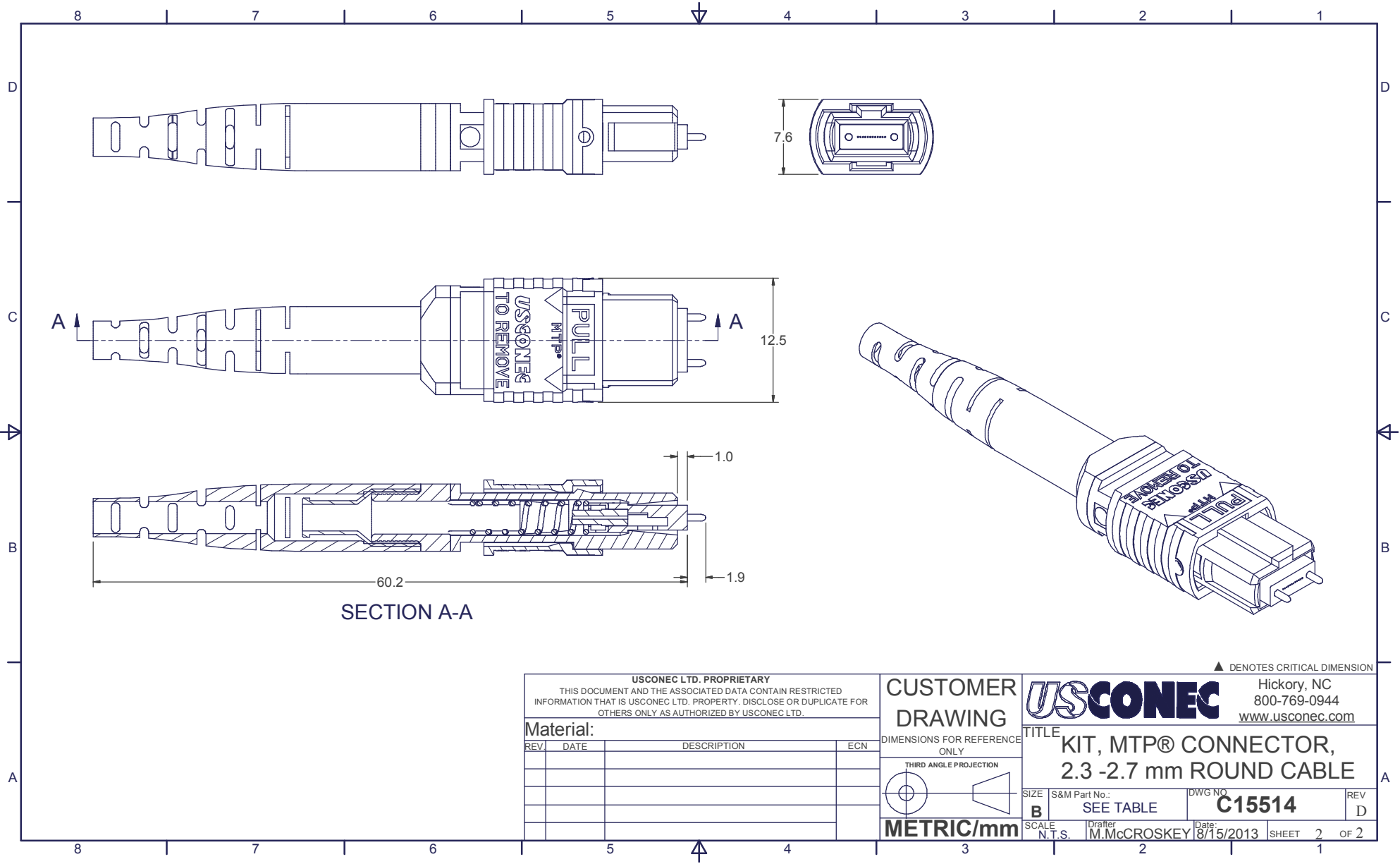
▲ DENOTES CRITICAL DIMENSION

**USCONEC** Hickory, NC  
800-769-0944  
www.usconec.com

TITLE  
**KIT, MTP® CONNECTOR,  
2.3-2.7 mm ROUND CABLE**

SIZE S&M Part No.: SEE TABLE DWG NO. **C15514** REV D

SCALE N.T.S. Drafter M.McCROSKY Date: 8/15/2013 SHEET 1 OF 2



SECTION A-A

**USCONEC LTD. PROPRIETARY**  
 THIS DOCUMENT AND THE ASSOCIATED DATA CONTAIN RESTRICTED INFORMATION THAT IS USCONEC LTD. PROPERTY. DISCLOSE OR DUPLICATE FOR OTHERS ONLY AS AUTHORIZED BY USCONEC LTD.

**Material:**

REV	DATE	DESCRIPTION	ECN

**CUSTOMER DRAWING**  
 DIMENSIONS FOR REFERENCE ONLY  
 THIRD ANGLE PROJECTION  
  
**METRIC/mm**

▲ DENOTES CRITICAL DIMENSION

**USCONEC** Hickory, NC  
 800-769-0944  
[www.usconec.com](http://www.usconec.com)

**TITLE**  
 KIT, MTP® CONNECTOR,  
 2.3 -2.7 mm ROUND CABLE

SIZE <b>B</b>	S&M Part No.: SEE TABLE	DWG NO. <b>C15514</b>	REV D
SCALE N.T.S.	Drafter M.McCROSKEY	Date: 8/15/2013	SHEET 2 OF 2