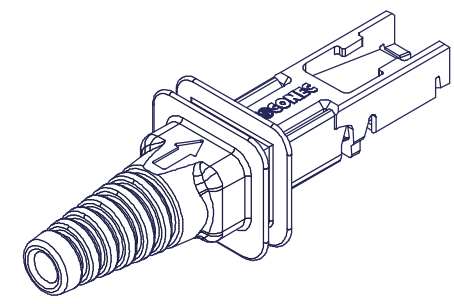
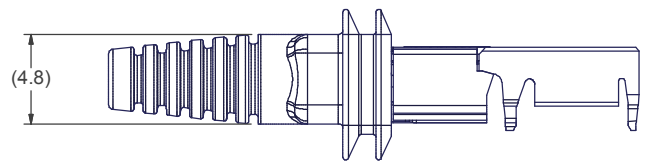
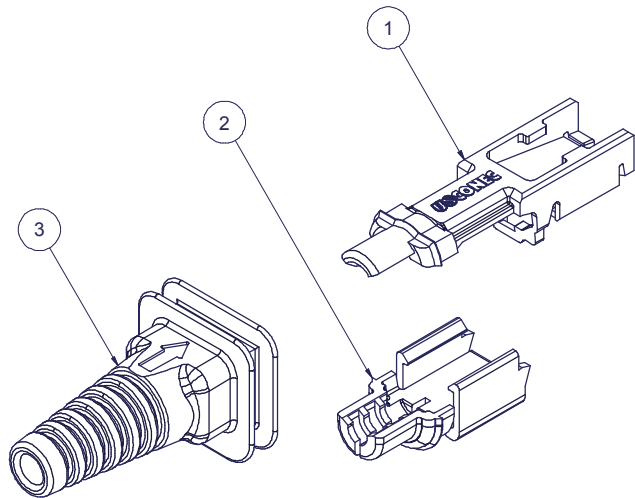
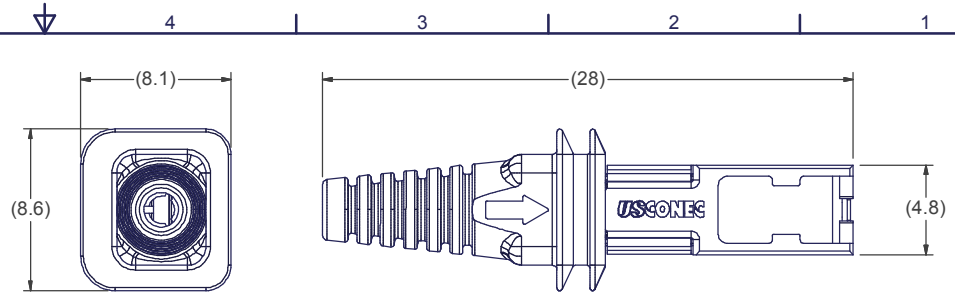


Parts List				
ITEM	QTY	DESCRIPTION	PART NUMBER	COLOR
1	1	PRIZM® LightTurn® 1.8mm ROUND CABLE HOUSING	14360	BLACK
2	1	PRIZM® LightTurn® SNAP, 1.8mm RND CBL HSG	14361	BLACK
3	1	PRIZM® LightTurn® BOOT, 1.8mm RND CBL HSG	14497	BLACK



NOTES:

1. COMPONENTS ARE PACKAGED SEPARATELY.
2. VERTICAL LATCH FORCE 0.3 LBS TO 2.0 LBS WHEN USING RECOMMENDED PRIZM® INTERFACE, DRAWING C13275
3. VERTICAL DELATCH FORCE 0.6 LBS TO 2.0 LBS WHEN USING RECOMMENDED PRIZM® INTERFACE, DRAWING C13275

USCONEC LTD. PROPRIETARY
THIS DOCUMENT AND THE ASSOCIATED DATA CONTAIN RESTRICTED INFORMATION THAT IS USCONEC LTD. PROPERTY. DISCLOSE OR DUPLICATE FOR OTHERS ONLY AS AUTHORIZED BY USCONEC LTD.

Material:

REV	DATE	DESCRIPTION	ECN
X1	10/04/12	-	01399
A	2/14/13	INITIAL RELEASE	01399

▲ DENOTES CRITICAL DIMENSION

CUSTOMER DRAWING

USCONEC Hickory, NC
800-769-0944
www.usconec.com

TITLE
KIT, 1.8mm ROUND CABLE HSG, PRIZM® LightTurn®

THIRD ANGLE PROJECTION

METRIC/mm

SIZE	S&M Part No.:	DWG NO.	REV
B	15059	C15059	A
SCALE	Drafter	Date:	SHEET
N.T.S.	G. WOLF	10/4/2012	1 OF 1