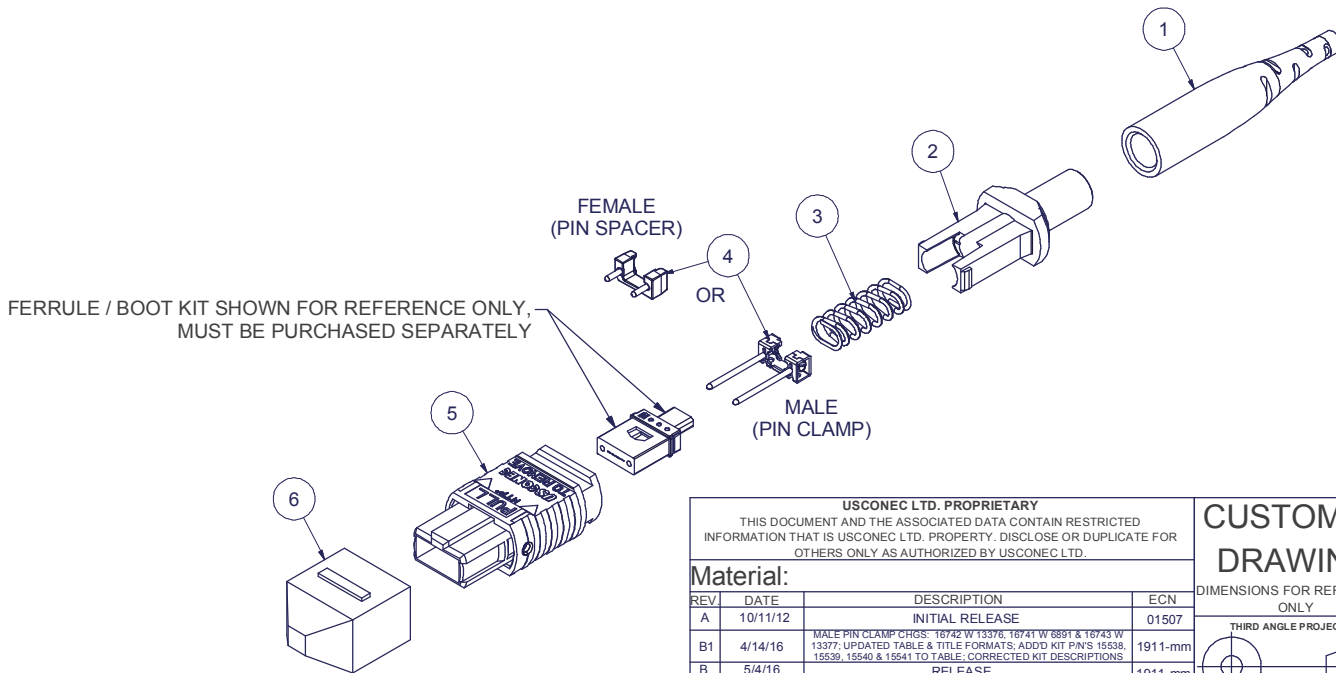


Parts List					KIT P/N			KIT DESCRIPTION			PERFORMANCE	COLUMN A PIN CLAMP/SPACER PN	COLUMN B HSG ASSY PN	HSG ASSY COLOR
1	STRAIN RELIEF BOOT	14845	1		15014	KIT, MTP®, FEMALE, MM, 2.0 RND, NO CRIMP, BEIGE			MM	12918	MTP-A12-11	BEIGE		
2	SPRING PUSH	13293	1		15015	KIT, MTP®, MALE, MM, 2.0 RND, NO CRIMP, BEIGE			MM	16741	MTP-A12-11	BEIGE		
3	SPRING	14511	1		15016	KIT, MTP®, FEMALE, MM, 2.0 RND, NO CRIMP, AQUA			MM or MM MTP Elite®	12918	7871	AQUA		
4	PIN CLAMP or PIN SPACER	SEE KIT TABLE COLUMN A	1	NOTE 1	15017	KIT, MTP®, MALE, MM, 2.0 RND, NO CRIMP, AQUA			MM	16741	7871	AQUA		
5	HOUSING ASSY	SEE KIT TABLE COLUMN B	1		15018	KIT, MTP®, MALE, MM MTP Elite®, 2.0 RND, NO CRIMP, AQUA			MM MTP Elite®	16742	7871	AQUA		
6	PROTECTIVE CAP	MTP-012-01	1		15019	KIT, MTP®, FEMALE, SM, 2.0 RND, NO CRIMP, GREEN			SM or SM MTP Elite®	12918	16007	GREEN		
					15020	KIT, MTP®, MALE, SM, 2.0 RND, NO CRIMP, GREEN			MM	16742	16007	GREEN		
					15021	KIT, MTP®, FEMALE, SM MTP Elite®, 2.0 RND, NO CRIMP, YELLOW			SM MTP Elite®	12918	16918	YELLOW		
					15022	KIT, MTP®, MALE, SM MTP Elite®, 2.0 RND, NO CRIMP, YELLOW			SM MTP Elite®	16743	16918	YELLOW		
					15538	KIT, MTP®, FEMALE, MM, 2.0 RND, NO CRIMP, BLACK			MM	12918	MTP-A12-02	BLACK		
					15539	KIT, MTP®, MALE, MM, 2.0 RND, NO CRIMP, BLACK			MM	16741	MTP-A12-02	BLACK		
					15540	KIT, MTP®, FEMALE, MM, 2.0 RND, NO CRIMP, MAGENTA			MM or MM MTP Elite®	12918	13949	MAGENTA		
					15541	KIT, MTP®, MALE, MM MTP Elite®, 2.0 RND, NO CRIMP, MAGENTA			MM MTP Elite®	16742	13949	MAGENTA		

NOTES:

1. MALE CONNECTOR KIT HAS PIN CLAMP ASSEMBLY.
FEMALE CONNECTOR KIT HAS FEMALE PIN SPACER.



USCONEC LTD. PROPRIETARY
THIS DOCUMENT AND THE ASSOCIATED DATA CONTAIN RESTRICTED INFORMATION THAT IS USCONEC LTD. PROPERTY. DISCLOSE OR DUPLICATE FOR OTHERS ONLY AS AUTHORIZED BY USCONEC LTD.

Material:

REV	DATE	DESCRIPTION	ECN
A	10/11/12	INITIAL RELEASE	01507
B1	4/14/16	MALE PIN CLAMP CHGS: 16742 W 13378; 16741 W 8891 & 16743 W 13377; UPDATED TABLE & TITLE FORMATS; ADDD KIT P/N'S 15538, 15539, 15540 & 15541 TO TABLE; CORRECTED KIT DESCRIPTIONS	1911-mm
B	5/4/16	RELEASE	1911-mm
C1	1/19/17	HSG ASSY CHG's: 16007 (GREEN) was MTP-A12-12 (GREEN); 16918 (YELLOW) was MTP-A12-15 (MUSTARD)	2000-mm
C	2/23/17	RELEASE	

▲ DENOTES CRITICAL DIMENSION

CUSTOMER DRAWING

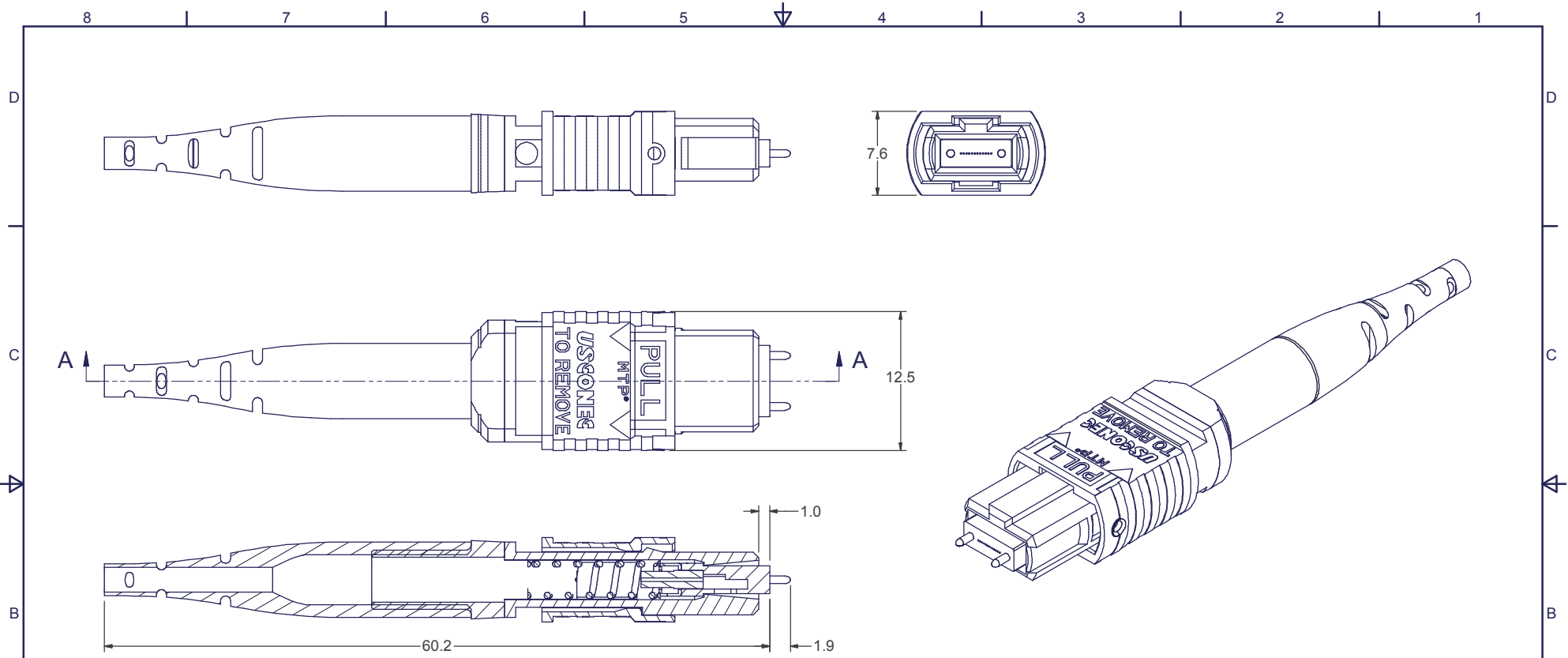
USCONEC Hickory, NC
800-769-0944
www.usconec.com

TITLE
KIT, MTP® CONNECTOR,
1.8 - 2.2mm RND CABLE, NO CRIMP

SIZE S&M Part No.: DWG NO. REV
B SEE TABLE C15014 C

SCALE N.T.S. Drafter M.McCROSKEY Date: 8/30/2012 SHEET 1 OF 2

METRIC/mm



SECTION A-A

USCONEC LTD. PROPRIETARY
 THIS DOCUMENT AND THE ASSOCIATED DATA CONTAIN RESTRICTED INFORMATION THAT IS USCONEC LTD. PROPERTY. DISCLOSE OR DUPLICATE FOR OTHERS ONLY AS AUTHORIZED BY USCONEC LTD.

Material:

REV	DATE	DESCRIPTION	ECN
		SEE SHEET 1	

CUSTOMER DRAWING

DIMENSIONS FOR REFERENCE ONLY

THIRD ANGLE PROJECTION

METRIC/mm

▲ DENOTES CRITICAL DIMENSION

Hickory, NC
800-769-0944
www.usconec.com

USCONEC

TITLE
 KIT, MTP® CONNECTOR,
 1.8 - 2.2mm RND CABLE, NO CRIMP

SIZE	S&M Part No.:	DWG NO.	REV
B	SEE TABLE	C15014	C
SCALE	Drafter	Date:	SHEET
N.T.S.	M.McCROSKY	8/30/2012	2 OF 2