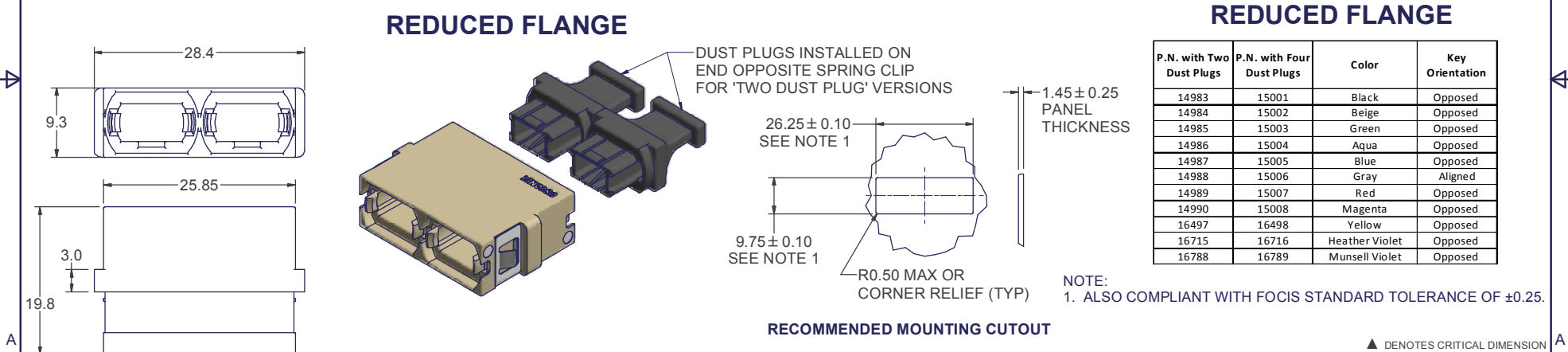


**FULL FLANGE**

| P.N. with Two Dust Plugs | P.N. with Four Dust Plugs | Color          | Key Orientation |
|--------------------------|---------------------------|----------------|-----------------|
| 14974                    | 14992                     | Black          | Opposed         |
| 14975                    | 14993                     | Beige          | Opposed         |
| 14977                    | 14994                     | Green          | Opposed         |
| 14978                    | 14995                     | Aqua           | Opposed         |
| 14979                    | 14996                     | Blue           | Opposed         |
| 14980                    | 14997                     | Gray           | Aligned         |
| 14981                    | 14998                     | Red            | Opposed         |
| 14982                    | 15000                     | Magenta        | Opposed         |
| 16495                    | 16496                     | Yellow         | Opposed         |
| 16712                    | 16713                     | Heather Violet | Opposed         |
| 16785                    | 16786                     | Munsell Violet | Opposed         |



**REDUCED FLANGE**

| P.N. with Two Dust Plugs | P.N. with Four Dust Plugs | Color          | Key Orientation |
|--------------------------|---------------------------|----------------|-----------------|
| 14983                    | 15001                     | Black          | Opposed         |
| 14984                    | 15002                     | Beige          | Opposed         |
| 14985                    | 15003                     | Green          | Opposed         |
| 14986                    | 15004                     | Aqua           | Opposed         |
| 14987                    | 15005                     | Blue           | Opposed         |
| 14988                    | 15006                     | Gray           | Aligned         |
| 14989                    | 15007                     | Red            | Opposed         |
| 14990                    | 15008                     | Magenta        | Opposed         |
| 16497                    | 16498                     | Yellow         | Opposed         |
| 16715                    | 16716                     | Heather Violet | Opposed         |
| 16788                    | 16789                     | Munsell Violet | Opposed         |

| PART         | MATERIAL        |
|--------------|-----------------|
| ADAPTER BODY | POLYETHERIMIDE  |
| SPRING CLIP  | STAINLESS STEEL |
| DUST PLUG    | POLYCARBONATE   |

USCONEC LTD. PROPRIETARY  
 THIS DOCUMENT AND THE ASSOCIATED DATA CONTAIN RESTRICTED INFORMATION THAT IS USCONEC LTD. PROPERTY. DISCLOSE OR DUPLICATE FOR OTHERS ONLY AS AUTHORIZED BY USCONEC LTD.

**Material:**

| REV | DATE     | DESCRIPTION   | ECN      |
|-----|----------|---|----------|
| A   | 8/21/13  | INITIAL RELEASE                                       | 01577    |
| B1  | 12/11/14 | ADDED YELLOW P/N'S 16495-16498                        | 01755-bt |
| -   | 4/14/15  | ADDED HEATHER VIOLET P/N'S 16712, 16713, 16715, 16716 | 01755-bt |
| B   | 4/14/15  | RELEASE   | 01755-bt |
| -   | 7/2/15   | ADDED MUNSELL VIOLET P/N'S 16785, 16786, 16788, 16789 | 1755-my  |
| C   | 7/3/15   | RELEASE   | 1755-my  |

**CUSTOMER DRAWING**

DIMENSIONS FOR REFERENCE ONLY

THIRD ANGLE PROJECTION

**METRIC/mm**

▲ DENOTES CRITICAL DIMENSION

**USCONEC** Hickory, NC  
 800-769-0944  
 www.usconec.com

TITLE  
**ADAPTER, MTP®, SC DUPLEX FOOTPRINT**

SIZE B S&M Part No.: SEE TABLE DWG NO. **C14974** REV C

SCALE N.T.S. Drafter M.McCROSKEY Date 8/20/2012 SHEET 1 OF 1