

4

3

2

1

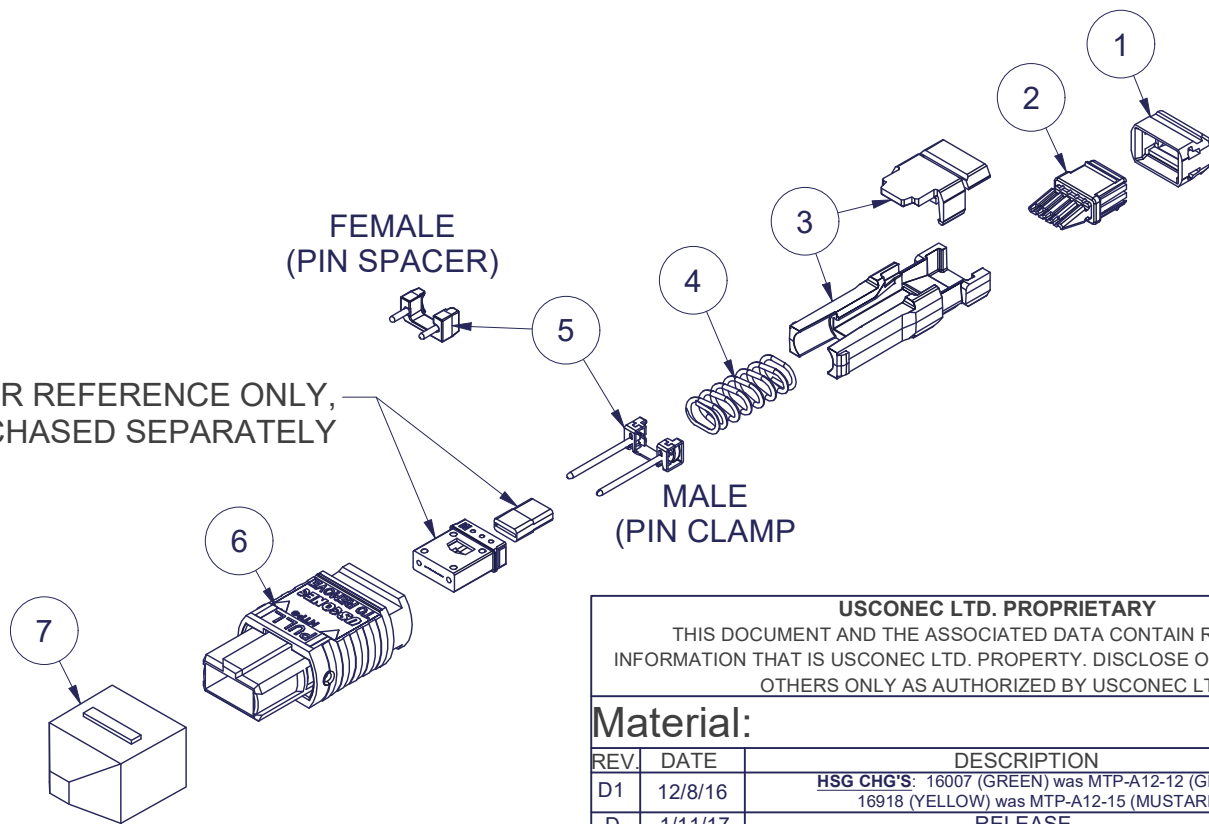
Parts List				
ITEM	DESCRIPTION	PART NUMBER	QTY	NOTES
1	LOCK, 900µm	14872	1	-
2	TRANSITION, 900µm	14869	1	-
3	SPRING PUSH, 900µm, MTP®, 2PC	15706	1	-
4	SPRING	14511	1	-
5	PIN CLAMP or PIN SPACER	SEE KIT TABLE COLUMN A	1	NOTE 1
6	HOUSING ASSY	SEE KIT TABLE COLUMN B	1	-
7	PROTECTIVE CAP	MTP-012-01	1	-

NOTES:

- 1. MALE CONNECTOR KIT HAS PIN CLAMP ASSEMBLY. FEMALE CONNECTOR KIT HAS FEMALE PIN SPACER.

KIT P/N	KIT DESCRIPTION	PERFORMANCE	COLUMN A PIN CLAMP/ SPACER PN	COLUMN B HSG ASSY PN	HSG ASSY COLOR
14873	KIT, 900µm to MTP®, MALE, MM, BEIGE	MM	16741	MTP-A12-11	BEIGE
15313	KIT, 900µm to MTP®, MALE, SM, GREEN	SM	16742	16007	GREEN
15314	KIT, 900µm to MTP®, MALE, SM MTP Elite®, YELLOW	SM MTP Elite®	16743	16918	YELLOW
15315	KIT, 900µm to MTP®, FEMALE, MM, BEIGE	MM	12918	MTP-A12-11	BEIGE
15316	KIT, 900µm to MTP®, FEMALE, SM, GREEN	SM or SM MTP Elite®	12918	16007	GREEN
15317	KIT, 900µm to MTP®, FEMALE, SM MTP Elite®, YELLOW	SM MTP Elite®	12918	16918	YELLOW
15318	KIT, 900µm to MTP®, MALE, MM, BLACK	MM	16741	MTP-A12-02	BLACK
15319	KIT, 900µm to MTP®, FEMALE, MM, BLACK	MM	12918	MTP-A12-02	BLACK
15320	KIT, 900µm to MTP®, MALE, MM, AQUA	MM	16741	7871	AQUA
15321	KIT, 900µm to MTP®, FEMALE, MM, AQUA	MM or MM MTP Elite®	12918	7871	AQUA
15322	KIT, 900µm to MTP®, MALE, MM MTP Elite®, AQUA	MM MTP Elite®	16742	7871	AQUA
17060	KIT, 900µm to MTP®, FEMALE, MM, MAGENTA	MM or MM MTP Elite®	12918	13949	MAGENTA
17061	KIT, 900µm to MTP®, MALE, MM MTP Elite®, MAGENTA	MM MTP Elite®	16742	13949	MAGENTA
19218	KIT, 900µm to MTP®, FEMALE, MM, LIME	MM or MM MTP Elite®	12918	19103	LIME
19219	KIT, 900µm to MTP®, MALE, MM, LIME	MM	16741	19103	LIME
19220	KIT, 900µm to MTP®, MALE, MM MTP Elite®, LIME	MM MTP Elite®	16742	19103	LIME
22990	KIT, 900µm to MTP®, FEMALE, MM, HEATHER VIOLET	MM	12918	16693	HEATHER VIOLET
22991	KIT, 900µm to MTP®, MALE, MM, HEATHER VIOLET	MM	16741	16693	HEATHER VIOLET
22992	KIT, 900µm to MTP®, MALE, MM MTP Elite®, HEATHER VIOLET	MM MTP Elite®	16742	16693	HEATHER VIOLET

FERRULE / BOOT KIT SHOWN FOR REFERENCE ONLY, MUST BE PURCHASED SEPARATELY



USCONEC LTD. PROPRIETARY  
THIS DOCUMENT AND THE ASSOCIATED DATA CONTAIN RESTRICTED INFORMATION THAT IS USCONEC LTD. PROPERTY. DISCLOSE OR DUPLICATE FOR OTHERS ONLY AS AUTHORIZED BY USCONEC LTD.

**Material:**

REV	DATE	DESCRIPTION	ECN
D1	12/8/16	HSG CHG'S: 16007 (GREEN) was MTP-A12-12 (GREEN); 16918 (YELLOW) was MTP-A12-15 (MUSTARD)	1963-mm
D	1/11/17	RELEASE	
E1	10/3/17	ADD'D KIT P/Ns TO TABLE: 19218, 19219, 19220; REVISED DESCRIPTIONS IN TABLE	2084-mm
E	10/31/17	RELEASE	
F	3/20/18	CORRECTED ITEM# 3, 2 & 1 ORIENTATION	2086-mm
G	3/20/18	ADD'D HEATHER VIO. KIT P/Ns 22990, 22991 & 22992 TO TABLE	
H	11/7/23	CORRECTED SPACER & PIN CLAMPS IN LIME KITS	

**CUSTOMER DRAWING**

DIMENSIONS FOR REFERENCE ONLY

THIRD ANGLE PROJECTION

**METRIC/mm**

▲ DENOTES CRITICAL DIMENSION

**USCONEC** Hickory, NC  
800-769-0944  
www.usconec.com

**TITLE**  
KIT, 900µm to MTP®  
CONNECTOR

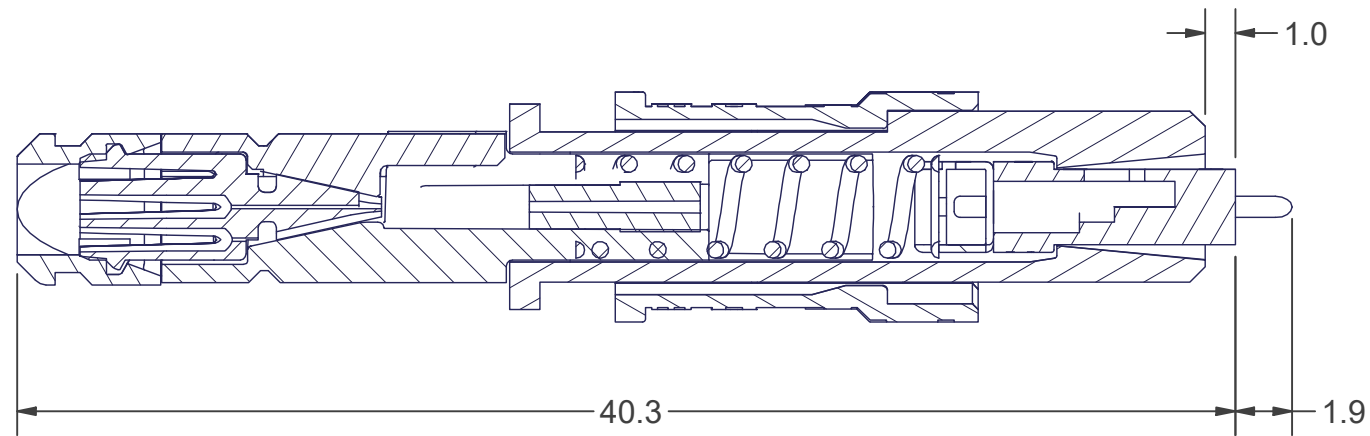
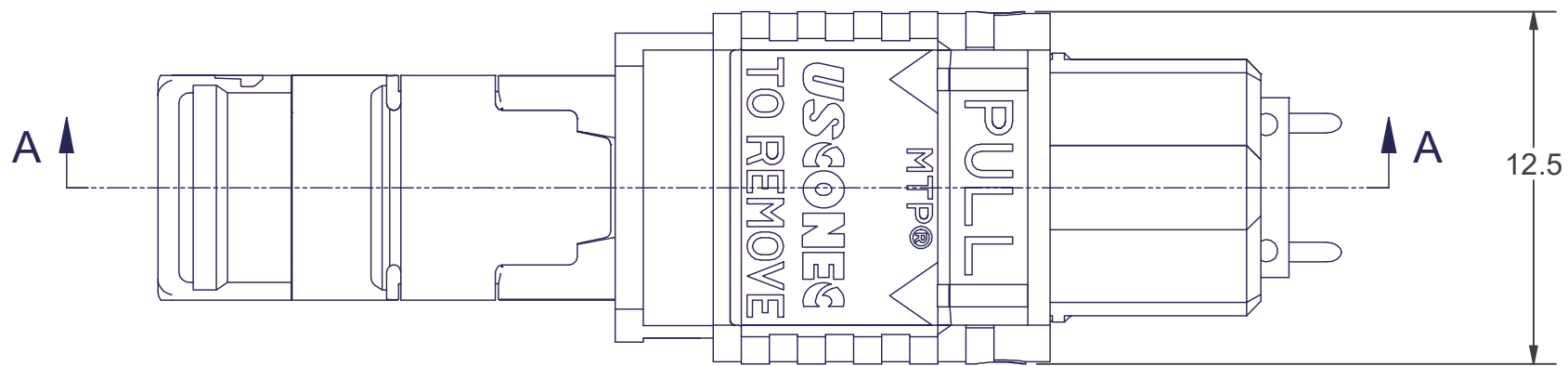
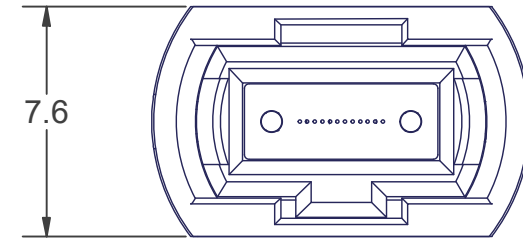
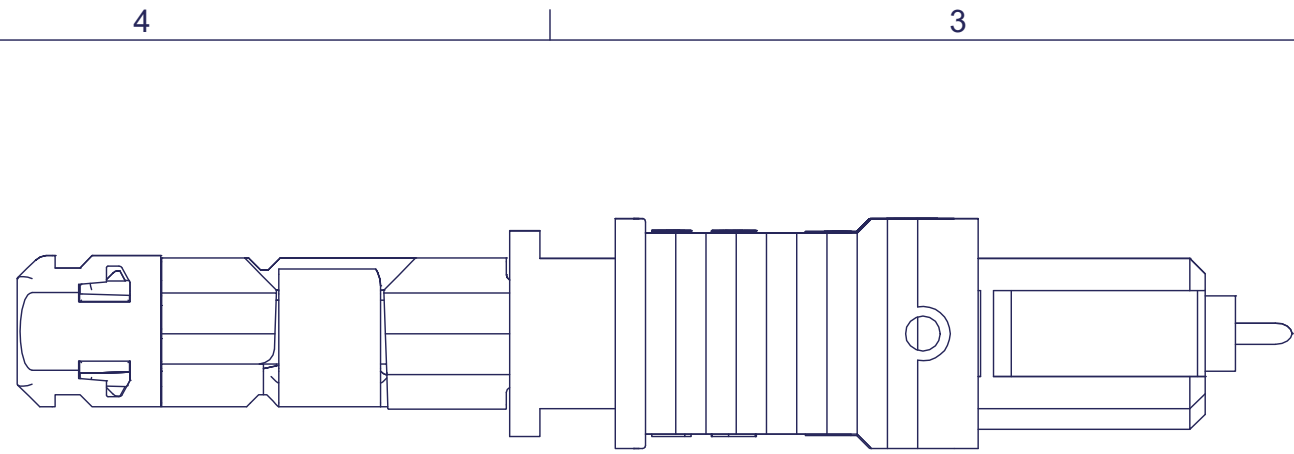
SIZE <b>B</b>	S&M Part No.: SEE TABLE	DWG NO. <b>C14873</b>	REV <b>H</b>
SCALE N.T.S.	Drafter <b>G. WOLF</b>	Date: 4/19/2013	SHEET 1 OF 2

4

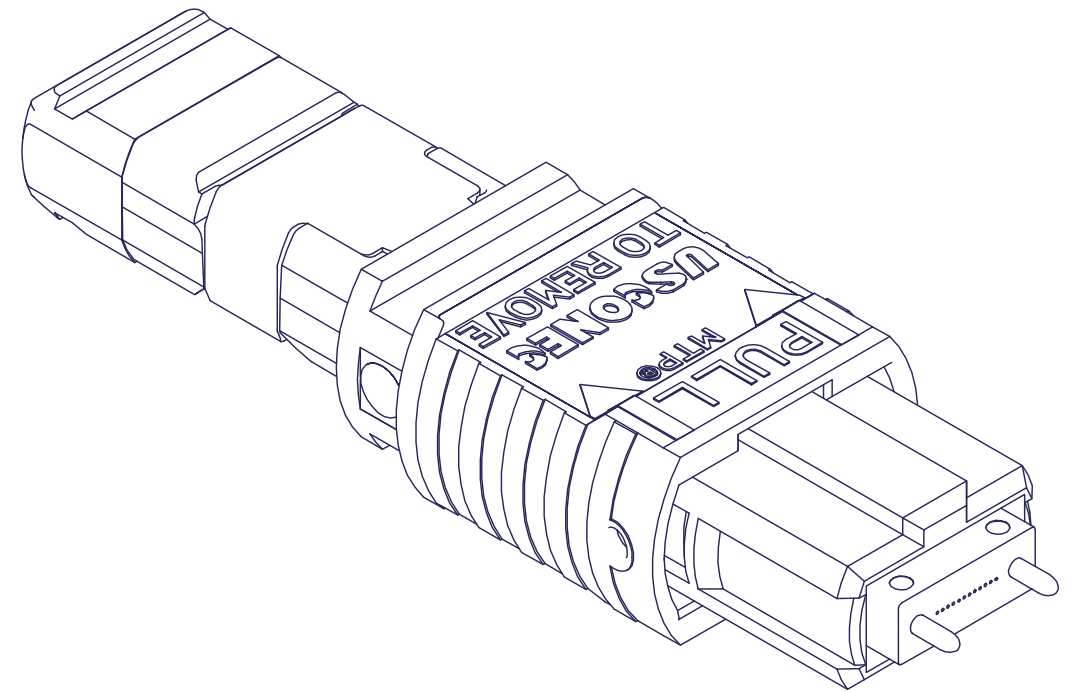
3

2

1



SECTION A-A



▲ DENOTES CRITICAL DIMENSION

**USCONEC LTD. PROPRIETARY**  
 THIS DOCUMENT AND THE ASSOCIATED DATA CONTAIN RESTRICTED INFORMATION THAT IS USCONEC LTD. PROPERTY. DISCLOSE OR DUPLICATE FOR OTHERS ONLY AS AUTHORIZED BY USCONEC LTD.

**Material:** N/A

REV.	DATE	DESCRIPTION	ECN
		SEE SHEET 1	

**CUSTOMER DRAWING**

DIMENSIONS FOR REFERENCE ONLY

THIRD ANGLE PROJECTION



**METRIC/mm**

**USCONEC** Hickory, NC  
 800-769-0944  
 www.usconec.com

**TITLE**  
 KIT, 900µm to MTP®  
 CONNECTOR

SIZE <b>B</b>	S&M Part No.: SEE SHEET 1	DWG NO. <b>C14873</b>	REV H
SCALE N.T.S.	Drafter G. WOLF	Date: 4/19/2013	SHEET 2 OF 2