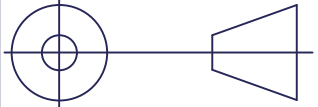



RETRACTABLE LANYARD NOT SHOWN IN VIEWS ABOVE

NOTES:

- INDIVIDUAL BOX DIMENSIONS:
L(190) x W(42) x H(24) mm
-10pc. CARTON DIMENSIONS:
L(195) x W(130) x H(88) mm
- SHIPPING WEIGHTS: INDIVIDUAL = 42g
CARTON = 484g

▲ DENOTES CRITICAL DIMENSION

USCONEC LTD. PROPRIETARY THIS DOCUMENT AND THE ASSOCIATED DATA CONTAIN RESTRICTED INFORMATION THAT IS USCONEC LTD. PROPERTY. DISCLOSE OR DUPLICATE FOR OTHERS ONLY AS AUTHORIZED BY USCONEC LTD.				CUSTOMER DRAWING DIMENSIONS FOR REFERENCE ONLY THIRD ANGLE PROJECTION 				Hickory, NC 800-769-0944 www.usconec.com					
Material:				TITLE CLEANER, IBC™ BRAND, GA16 W/ RETRACTABLE LANYARD		SIZE B		S&M Part No.: 14829		DWG NO. C14829		REV B	
REV.	DATE	DESCRIPTION	ECN			SCALE N.T.S.		Drafter B. THOMPSON		Date: 1/30/2013		SHEET 1 OF 1	
X1	1/30/13	-	01547	METRIC/mm									
A	9/5/13	INITIAL RELEASE	01547										
B1	10/13/20	RETRACTABLE LANYARD WAS WRIST LANYARD; REVISED DWG TITLE & NOTES	1996-mm										
B	8/7/23	UPDATED LANYARD RINGS & NOTES; CORRECTED BOX WIDTH DIM: 130 WAS 132; REVISED DWG FORMAT											