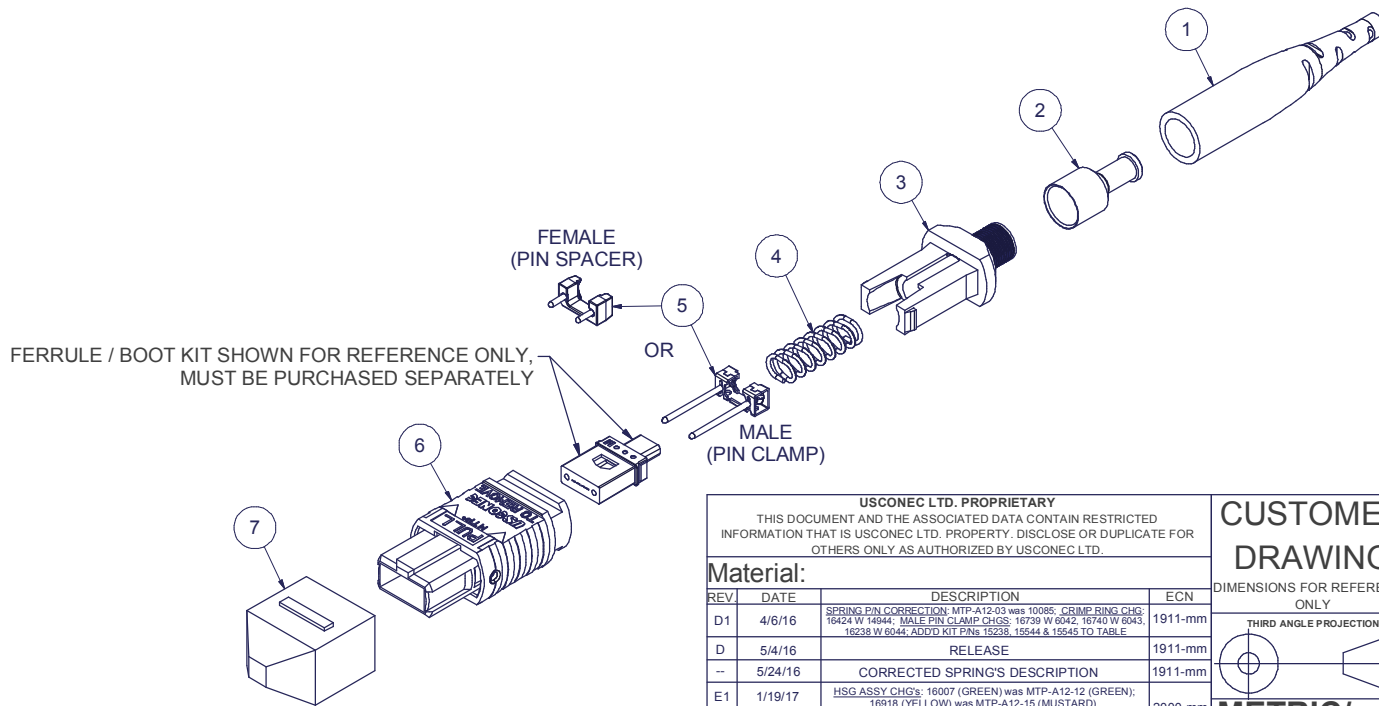


Parts List				
ITEM	DESCRIPTION	PART NUMBER	QTY	NOTES
1	STRAIN RELIEF BOOT	14922	1	
2	CRIMP RING	16424	1	
3	SPRING PUSH	8272	1	
4	SPRING, MTP®	MTP-A12-03	1	
5	PIN CLAMP or PIN SPACER	SEE KIT TABLE COLUMN A	1	NOTE 1
6	HOUSING ASSY	SEE KIT TABLE COLUMN B	1	
7	PROTECTIVE CAP	MTP-012-01	1	

NOTES:

1. MALE CONNECTOR KIT HAS PIN CLAMP ASSEMBLY.
FEMALE CONNECTOR KIT HAS FEMALE PIN SPACER.

KIT P/N	KIT DESCRIPTION	PERFORMANCE	COLUMN A	COLUMN B	1
			PIN CLAMP/SPACER PN	HSG ASSY PN	HSG ASSY COLOR
14627	KIT, MTP®, FEMALE, MM, 2.0 RND, AQUA	MM or MM MTP Elite®	9386	7871	AQUA
14628	KIT, MTP®, MALE, MM, 2.0 RND, AQUA	MM	16739	7871	AQUA
14629	KIT, MTP®, FEMALE, MM, 2.0 RND, BEIGE	MM	9386	MTP-A12-11	BEIGE
14630	KIT, MTP®, MALE, MM, 2.0 RND, BEIGE	MM	16739	MTP-A12-11	BEIGE
14631	KIT, MTP®, MALE, MM MTP Elite®, 2.0 RND, AQUA	MM MTP Elite®	16740	7871	AQUA
14632	KIT, MTP®, FEMALE, SM, 2.0 RND, GREEN	SM or SM MTP Elite®	9386	16007	GREEN
14633	KIT, MTP®, MALE, SM, 2.0 RND, GREEN	SM	16740	16007	GREEN
14634	KIT, MTP®, FEMALE, SM MTP Elite®, 2.0 RND, YELLOW	SM MTP Elite®	9386	16918	YELLOW
14635	KIT, MTP®, MALE, SM MTP Elite®, 2.0 RND, YELLOW	SM MTP Elite®	16238	16918	YELLOW
15238	KIT, MTP®, MALE, SM MTP Elite®, 2.0 RND, GREEN	SM MTP Elite®	16238	16007	GREEN
15542	KIT, MTP®, FEMALE, MM, 2.0 RND, BLACK	MM	9386	MTP-A12-02	BLACK
15543	KIT, MTP®, MALE, MM, 2.0 RND, BLACK	MM	16739	MTP-A12-02	BLACK
15544	KIT, MTP®, FEMALE, MM, 2.0 RND, MAGENTA	MM or MM MTP Elite®	9386	13949	MAGENTA
15545	KIT, MTP®, MALE, MM MTP Elite®, 2.0 RND, MAGENTA	MM MTP Elite®	16740	13949	MAGENTA
17086	KIT, MTP®, FEMALE, MM, 2.0 RND, HEATHER VIOLET	MM or MM MTP Elite®	9386	16693	HEATHER VIOLET
17087	KIT, MTP®, MALE, MM MTP Elite®, 2.0 RND, HEATHER VIOLET	MM MTP Elite®	16740	16693	HEATHER VIOLET



USCONEC LTD. PROPRIETARY
THIS DOCUMENT AND THE ASSOCIATED DATA CONTAIN RESTRICTED INFORMATION THAT IS USCONEC LTD. PROPERTY. DISCLOSE OR DUPLICATE FOR OTHERS ONLY AS AUTHORIZED BY USCONEC LTD.

Material:

REV	DATE	DESCRIPTION	ECN
D1	4/6/16	SPRING/PIN CORRECTION: MTP-A12-03 was 10085; CRIMP RING CHG: 16424 W 14944; MALE PIN CLAMP CHGS: 16739 W 6042, 16740 W 6043, 16238 W 6044; ADD'D KIT P/Ns 15238, 15544 & 15545 TO TABLE	1911-mm
D	5/4/16	RELEASE	1911-mm
--	5/24/16	CORRECTED SPRING'S DESCRIPTION	1911-mm
E1	1/19/17	HSG ASSY CHG's: 16007 (GREEN) was MTP-A12-12 (GREEN); 16918 (YELLOW) was MTP-A12-15 (MUSTARD)	2000-mm
E	2/23/17	RELEASE	

CUSTOMER DRAWING

DIMENSIONS FOR REFERENCE ONLY

THIRD ANGLE PROJECTION

METRIC/mm

▲ DENOTES CRITICAL DIMENSION

Hickory, NC
800-769-0944
www.usconec.com

USCONEC

TITLE
**KIT, MTP® CONNECTOR,
1.8 - 2.2 mm ROUND CABLE**

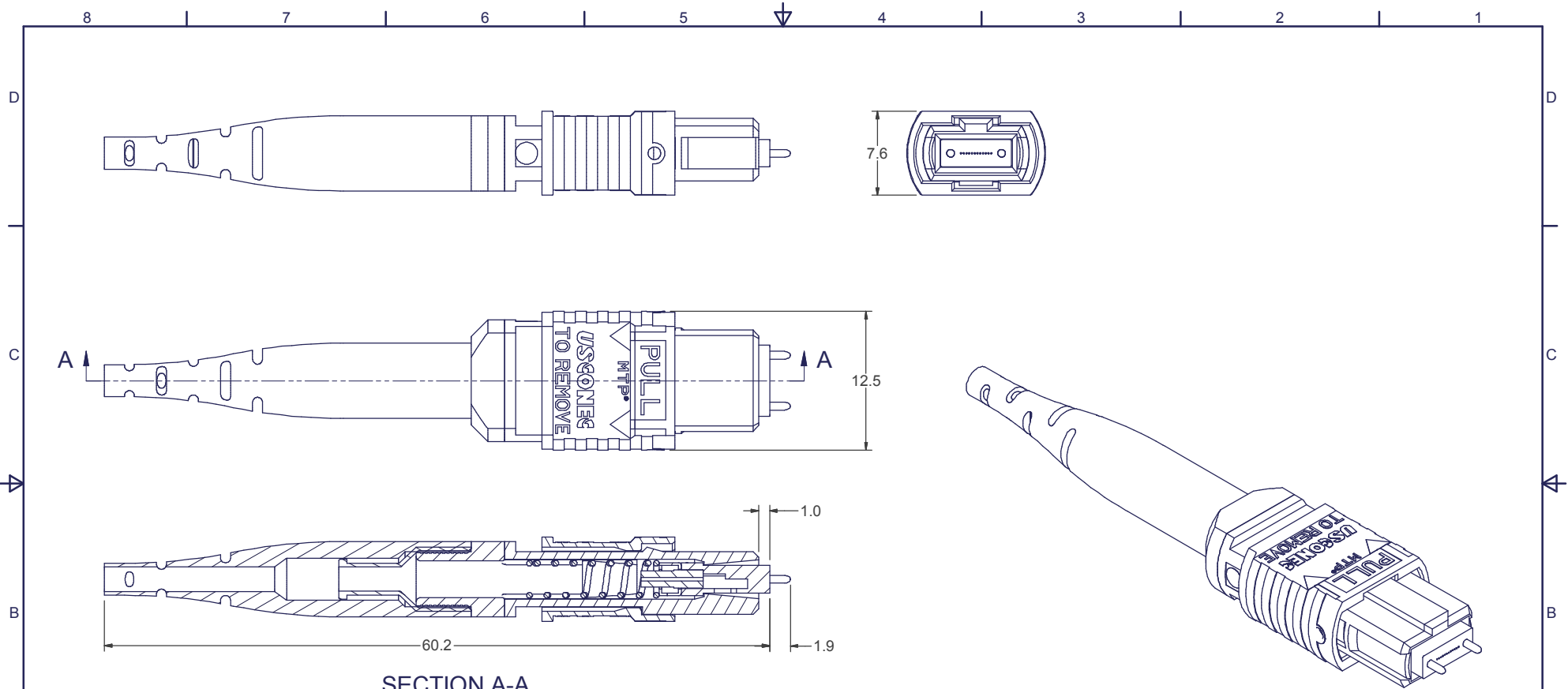
SIZE S&M Part No.:
B SEE TABLE

DWG NO.
C14627

REV
E

SCALE N.T.S. Drafter **G. WOLF** Date: **3/1/2012**

SHEET **1** OF **2**



SECTION A-A

USCONEC LTD. PROPRIETARY
 THIS DOCUMENT AND THE ASSOCIATED DATA CONTAIN RESTRICTED INFORMATION THAT IS USCONEC LTD. PROPERTY. DISCLOSE OR DUPLICATE FOR OTHERS ONLY AS AUTHORIZED BY USCONEC LTD.

Material:

REV	DATE	DESCRIPTION	ECN

CUSTOMER DRAWING
 DIMENSIONS FOR REFERENCE ONLY
 THIRD ANGLE PROJECTION

METRIC/mm

▲ DENOTES CRITICAL DIMENSION

USCONEC Hickory, NC
 800-769-0944
www.usconec.com

TITLE
 KIT, MTP® CONNECTOR,
 1.8 - 2.2 mm ROUND CABLE

SIZE B	S&M Part No.: SEE TABLE	DWG NO. C14627	REV E
SCALE N.T.S.	Drafter G. WOLF	Date: 3/1/2012	SHEET 2 OF 2