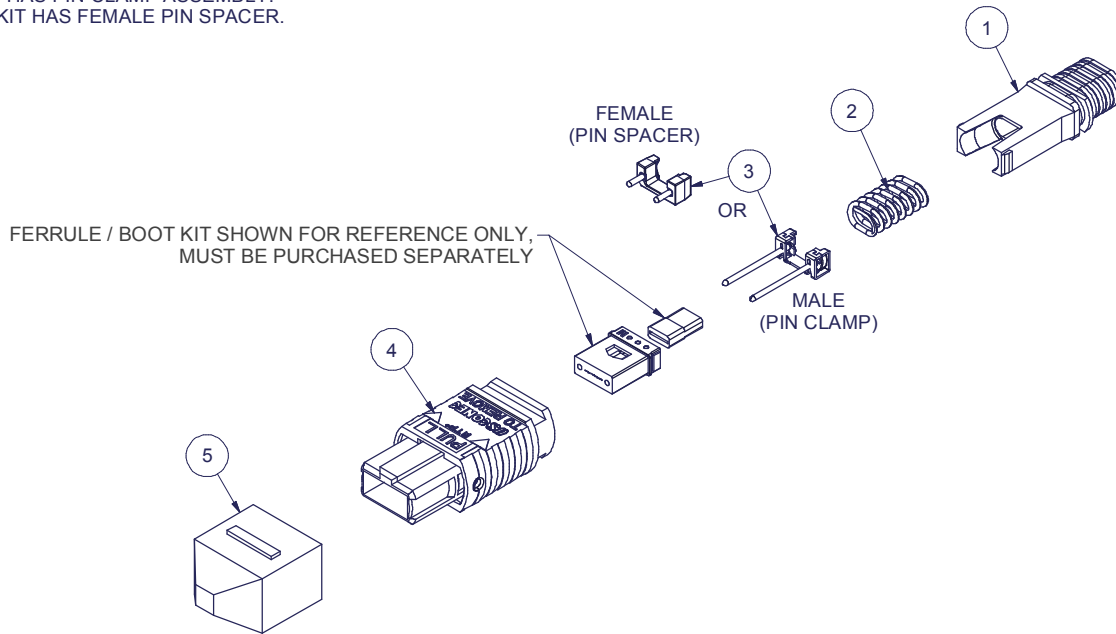


Parts List				KIT DESCRIPTION			COLUMN A	COLUMN B	HSG	
ITEM	DESCRIPTION	PART NUMBER	QTY	NOTES	KIT P/N	PERFORMANCE	PIN CLAMP/SPACER PN	HSG ASSY PN	ASSY COLOR	
1	SPRING PUSH	5551	1		14428	KIT, MTP®, FEMALE, MM, HFC, NO BOOT/CRIMP, High Spring Force, BEIGE	MM	12918	MTP-A12-11	BEIGE
2	SPRING, HIGH FORCE	12501	1		14429	KIT, MTP®, MALE, MM, HFC, NO BOOT/CRIMP, High Spring Force, BEIGE	MM	16741	MTP-A12-11	BEIGE
3	PIN CLAMP or PIN SPACER	SEE KIT TABLE COLUMN A	1	NOTE 1	14430	KIT, MTP®, FEMALE, MM, HFC, NO BOOT/CRIMP, High Spring Force, AQUA	MM or MM MTP Elite®	12918	7871	AQUA
4	HOUSING ASSY	SEE KIT TABLE COLUMN B	1	--	14431	KIT, MTP®, MALE, MM, HFC, NO BOOT/CRIMP, High Spring Force, AQUA	MM	16741	7871	AQUA
5	PROTECTIVE CAP	MTP-012-01	1	--	14432	KIT, MTP®, MALE, MM MTP Elite®, HFC, NO BOOT/CRIMP, High Spring Force, AQUA	MM or MM MTP Elite®	16742	7871	AQUA

NOTES:

1. MALE CONNECTOR KIT HAS PIN CLAMP ASSEMBLY.
FEMALE CONNECTOR KIT HAS FEMALE PIN SPACER.



USCONEC LTD. PROPRIETARY
THIS DOCUMENT AND THE ASSOCIATED DATA CONTAIN RESTRICTED INFORMATION THAT IS USCONEC LTD. PROPERTY. DISCLOSE OR DUPLICATE FOR OTHERS ONLY AS AUTHORIZED BY USCONEC LTD.

Material:

REV	DATE	DESCRIPTION	ECN
B	11/21/13	CORRECTED P/N 14430'S DESCRIPTION... AQUA WAS BEIGE; REVISED TITLE & DESCRIPTIONS TO "HIGH SPRING FORCE"	-
C1	9/9/15	ADDED SHEET 2 WITH NON-EXPLODED VIEW OF ASSY INCLUDING LENGTH, WIDTH & HEIGHT DIMS	1821-mm
C	9/14/15	RELEASE	1821-mm
D1	4/21/16	MALE PIN CLAMP CHG'S: 16741 W 6891 & 16742 W 13376	1914-mm
D	5/5/16	RELEASE	1914-mm

CUSTOMER DRAWING

DIMENSIONS FOR REFERENCE ONLY

THIRD ANGLE PROJECTION

METRIC/mm

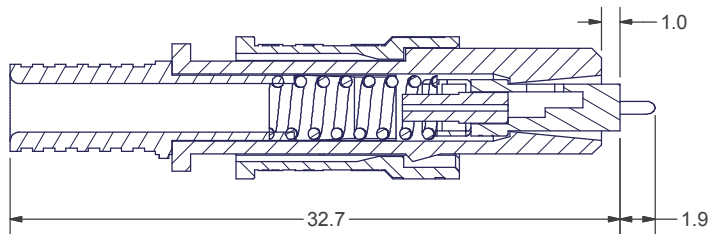
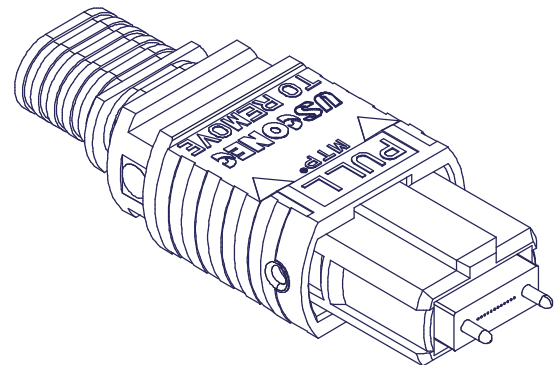
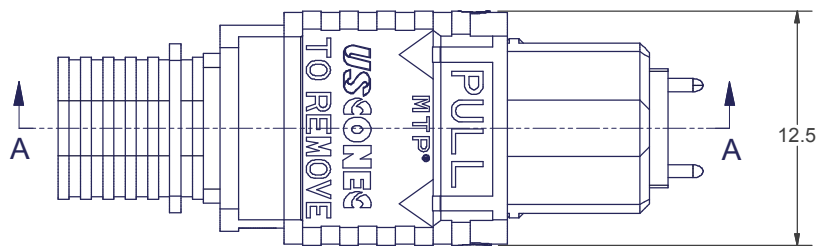
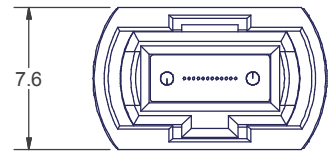
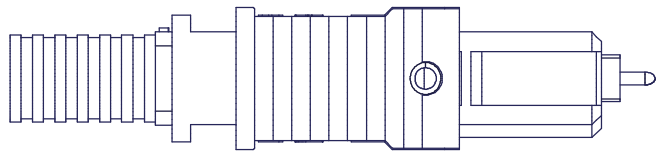
▲ DENOTES CRITICAL DIMENSION

USCONEC Hickory, NC
800-769-0944
www.usconec.com

TITLE KIT, MTP® CONNECTOR, HFC, NO BOOT / NO CRIMP, HIGH SPRING FORCE

SIZE S&M Part No.: SEE TABLE DWG NO. **C14428** REV D

SCALE N.T.S. Drafter G. WOLF Date: 1/31/2012 SHEET 1 OF 2



SECTION A-A

USCONEC LTD. PROPRIETARY
THIS DOCUMENT AND THE ASSOCIATED DATA CONTAIN RESTRICTED INFORMATION THAT IS USCONEC LTD. PROPERTY. DISCLOSE OR DUPLICATE FOR OTHERS ONLY AS AUTHORIZED BY USCONEC LTD.

Material:

REV	DATE	DESCRIPTION	ECN

CUSTOMER DRAWING

DIMENSIONS FOR REFERENCE ONLY

THIRD ANGLE PROJECTION

METRIC/mm

▲ DENOTES CRITICAL DIMENSION

USCONEC Hickory, NC
800-769-0944
www.usconec.com

TITLE KIT, MTP® CONNECTOR, HFC, NO BOOT / NO CRIMP, HIGH SPRING FORCE

SIZE B	S&M Part No.: SEE TABLE	DWG NO. C14428	REV D
SCALE N.T.S.	Drafter G. WOLF	Date: 1/31/2012	SHEET 2 OF 2