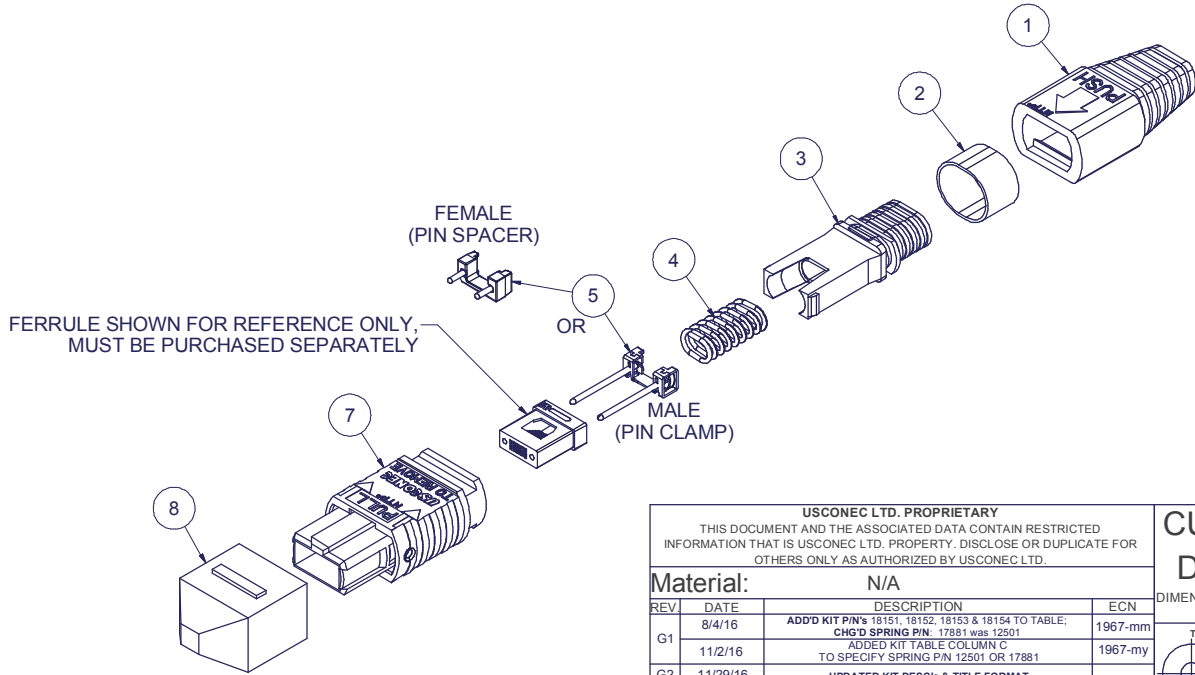


Parts List											
ITEM	DESCRIPTION	PART NUMBER	QTY	NOTES	KIT P/N	KIT DESCRIPTION	PERFORMANCE	COLUMN 'A' PIN CLAMP/ SPACER P/N	COLUMN 'B' HSG ASSY P/N	COLUMN 'C' SPRING P/N	HSG COLOR
1	STRAIN RELIEF BOOT	MTP-012-06	1		13981	KIT, MTP®, MALE, MM, MTP Elite®, OVAL, JACKETED RIBBON, HFC, HSF, AQUA	MM MTP Elite®	16742	7871	12501	AQUA
2	CRIMP RING	MTP-A12-05	1		14152	KIT, MTP®, FEMALE, MM, OVAL, JACKETED RIBBON, HFC, HSF, BEIGE	MM	12918	MTP-A12-11	12501	BEIGE
3	SPRING PUSH	5551	1		14153	KIT, MTP®, MALE, MM, OVAL, JACKETED RIBBON, HFC, HSF, BEIGE	MM	16741	MTP-A12-11	12501	BEIGE
4	SPRING	SEE KIT TABLE COLUMN C	1		14154	KIT, MTP®, FEMALE, MM, OVAL, JACKETED RIBBON, HFC, HSF, BLACK	MM	12918	MTP-A12-02	12501	BLACK
					14155	KIT, MTP®, MALE, MM, OVAL, JACKETED RIBBON, HFC, HSF, BLACK	MM	16741	MTP-A12-02	12501	BLACK
5	PIN CLAMP or PIN SPACER	SEE KIT TABLE COLUMN A	1	NOTE 1	14156	KIT, MTP®, FEMALE, MM, OVAL, JACKETED RIBBON, HFC, HSF, AQUA	MM or MM MTP Elite	12918	7871	12501	AQUA
7	HOUSING ASSY	SEE KIT TABLE COLUMN B	1		14157	KIT, MTP®, MALE, MM, OVAL, JACKETED RIBBON, HFC, HSF, AQUA	MM	16741	7871	12501	AQUA
8	PROTECTIVE CAP	MTP-012-01	1		16368	KIT, MTP®, FEMALE, MM, OVAL, JACKETED RIBBON, HFC, HSF, MAGENTA	MM or MM MTP Elite	12918	13949	12501	MAGENTA
					16369	KIT, MTP®, MALE, MM, OVAL, JACKETED RIBBON, HFC, HSF, MAGENTA	MM	16741	13949	12501	MAGENTA
					16837	KIT, MTP®, MALE, MM MTP Elite®, OVAL, JACKETED RIBBON, HFC, HSF, MAGENTA	MM MTP Elite®	16742	13949	12501	MAGENTA
					18151	KIT, MTP®, FEMALE, SM, OVAL, JACKETED RIBBON, HFC, HSF, GREEN	SM or SM MTP Elite®	12918	16007	17881	GREEN
					18152	KIT, MTP®, MALE, SM, OVAL, JACKETED RIBBON, HFC, HSF, GREEN	SM	16742	16007	17881	GREEN
					18153	KIT, MTP®, FEMALE, SM MTP Elite®, OVAL, JACKETED RIBBON, HFC, HSF, YELLOW	SM MTP Elite®	12918	16918	17881	YELLOW
					18154	KIT, MTP®, MALE, SM MTP Elite®, OVAL, JACKETED RIBBON, HFC, HSF, YELLOW	SM MTP Elite®	16743	16918	17881	YELLOW

NOTES:

1. MALE CONNECTOR KIT HAS PIN CLAMP ASSEMBLY,  
FEMALE CONNECTOR KIT HAS FEMALE PIN SPACER



USCONEC LTD. PROPRIETARY  
THIS DOCUMENT AND THE ASSOCIATED DATA CONTAIN RESTRICTED  
INFORMATION THAT IS USCONEC LTD. PROPERTY. DISCLOSE OR DUPLICATE FOR  
OTHERS ONLY AS AUTHORIZED BY USCONEC LTD.

Material: N/A

REV	DATE	DESCRIPTION	ECN
G1	8/4/16	ADD'D KIT P/N'S 18151, 18152, 18153 & 18154 TO TABLE; CHG'D SPRING P/N: 17881 was 12501	1967-mm
	11/2/16	ADDED KIT TABLE COLUMN C TO SPECIFY SPRING P/N 12501 OR 17881	1967-my
G2	11/29/16	UPDATED KIT DESC'S & TITLE FORMAT	1967-mm
G	12/15/16	RELEASE	

▲ DENOTES CRITICAL DIMENSION

**CUSTOMER DRAWING**

**USCONEC** Hickory, NC  
800-769-0944  
www.usconec.com

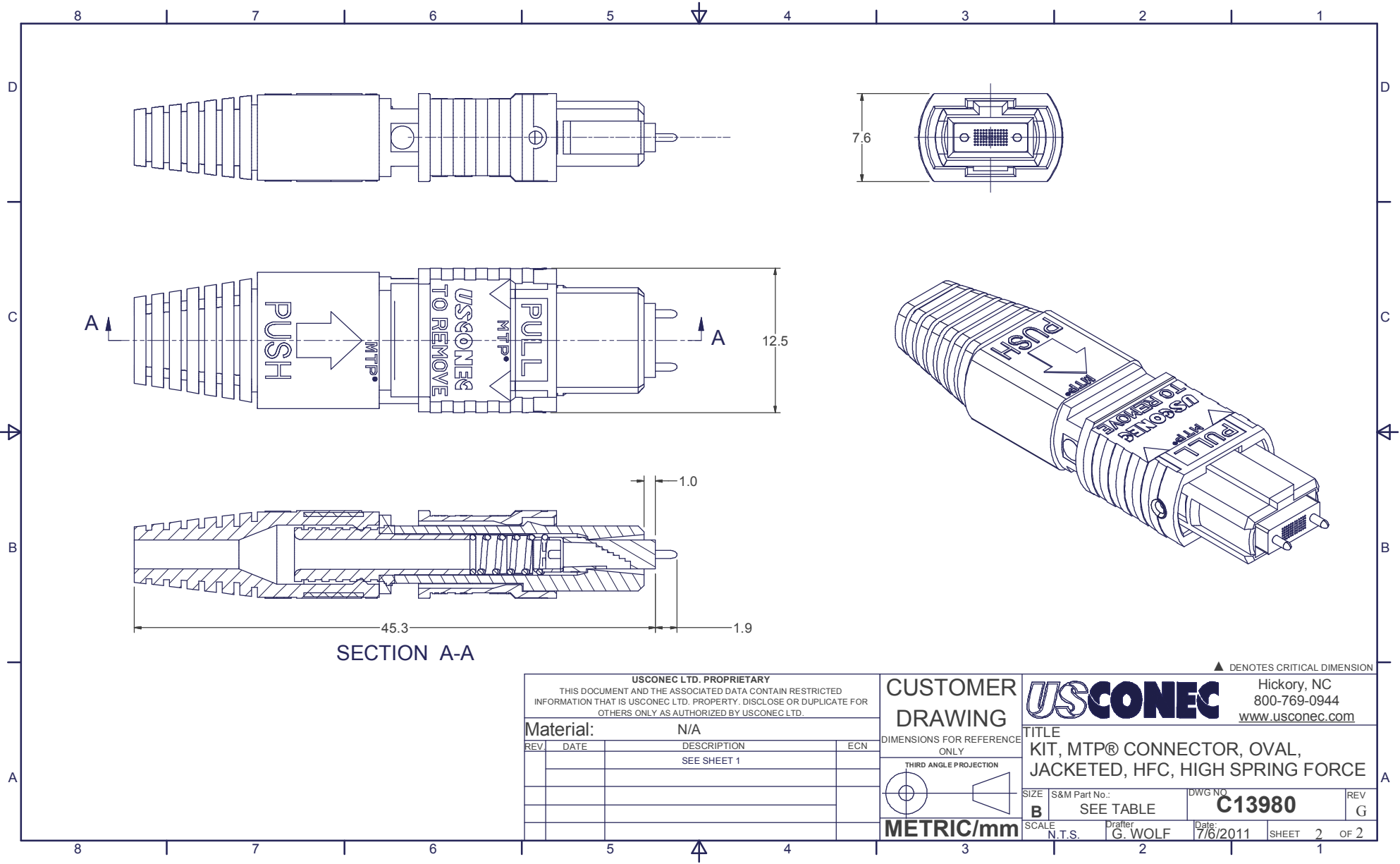
TITLE  
KIT, MTP® CONNECTOR, OVAL,  
JACKETED, HFC, HIGH SPRING FORCE

SIZE S&M Part No.:  
**B** SEE TABLE  
SCALE N.T.S. Drafter G. WOLF Date: 7/6/2011 DWG NO. **C13980** REV G

METRIC/mm

THIRD ANGLE PROJECTION

SHEET 1 OF 2



SECTION A-A

USCONEC LTD. PROPRIETARY  
 THIS DOCUMENT AND THE ASSOCIATED DATA CONTAIN RESTRICTED INFORMATION THAT IS USCONEC LTD. PROPERTY. DISCLOSE OR DUPLICATE FOR OTHERS ONLY AS AUTHORIZED BY USCONEC LTD.

Material: N/A

REV	DATE	DESCRIPTION	ECN
		SEE SHEET 1	

**CUSTOMER DRAWING**

DIMENSIONS FOR REFERENCE ONLY

THIRD ANGLE PROJECTION

**METRIC/mm**

**USCONEC** Hickory, NC  
 800-769-0944  
[www.usconec.com](http://www.usconec.com)

TITLE  
 KIT, MTP® CONNECTOR, OVAL, JACKETED, HFC, HIGH SPRING FORCE

SIZE <b>B</b>	S&M Part No.: SEE TABLE	DWG NO. <b>C13980</b>	REV G
SCALE N.T.S.	Drafter G. WOLF	Date: 7/6/2011	SHEET 2 OF 2