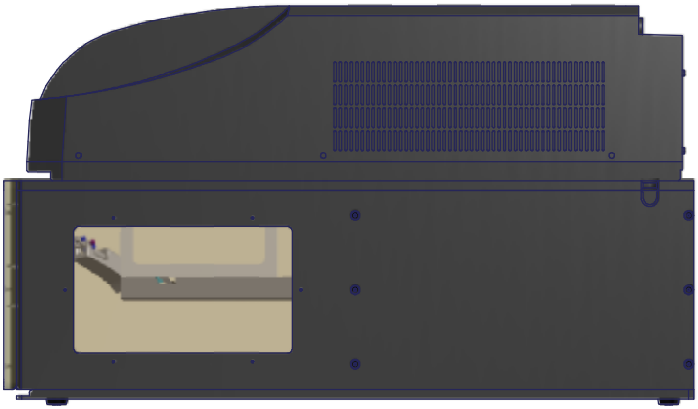
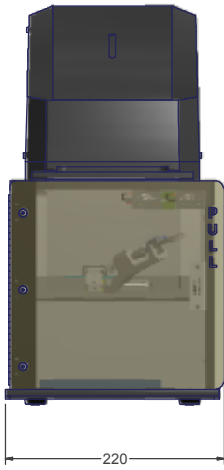
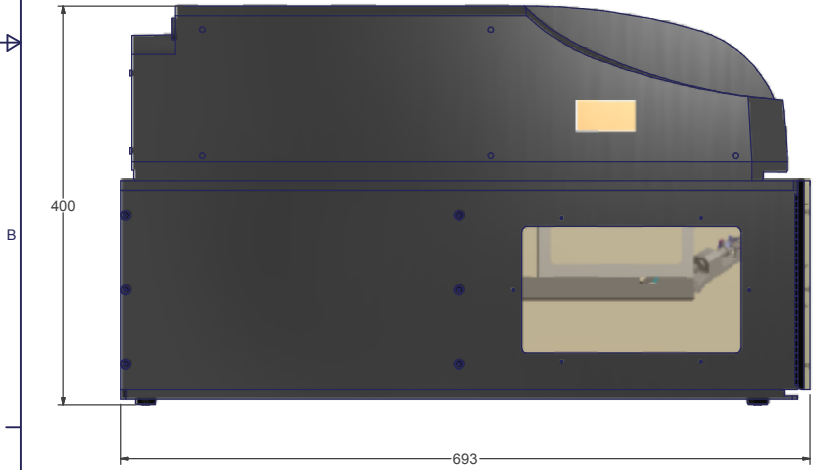
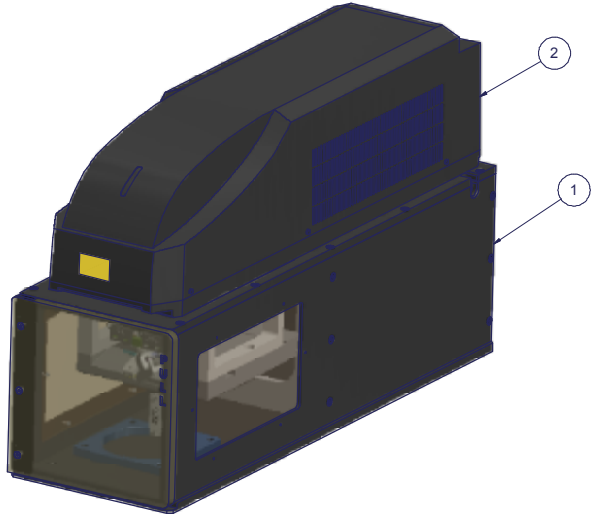


Parts List		
ITEM	QTY	DESCRIPTION
1	1	ASSY, LASER CLEAVE ENCLOSURE / MOUNT
2	1	LASER MARKER
3	1	ZAP-IT PAPER, Z-25, 1 PACK
4	1	TRANSPORT CASE
5	1	CONTROLLER
6	1	LAPTOP
7	1	POWER CORD
8	1	6' A/B USB CABLE
9	1	RIBBON HOLDER, BARE / 3.0 & 3.6 ROUND (BLACK)
10	1 Pack	FIBER CATCH PAN, PACK OF 10
11	1	DONGLE, USB, SOFTWARE LICENSE
12	1	FIBER HOLDER, LOOSE FIBERS, 2.0 CBL (GREEN)
13	1	FLASH DRIVE W/ RECOVERY SOFTWARE



NOTES:
1. ITEMS 3 - 13 NOT SHOWN.

<p style="text-align: center;">USCONEC LTD. PROPRIETARY THIS DOCUMENT AND THE ASSOCIATED DATA CONTAIN RESTRICTED INFORMATION THAT IS USCONEC LTD. PROPERTY. DISCLOSE OR DUPLICATE FOR OTHERS ONLY AS AUTHORIZED BY USCONEC LTD.</p>				<p style="text-align: center;">CUSTOMER DRAWING</p>		<p style="text-align: center;">USCONEC Hickory, NC 800-769-0944 www.usconec.com</p>					
<p>Material: SEE PARTS LIST</p>				<p style="text-align: center;">DIMENSIONS FOR REFERENCE ONLY</p>		<p style="text-align: center;">TITLE ASSY., LASER CLEAVE</p>					
REV	DATE	DESCRIPTION	ECN	<p style="text-align: center;">THIRD ANGLE PROJECTION</p> <p style="text-align: center;">METRIC/mm</p>		SIZE	S&M Part No.	DWG No.	REV		
C1	5/4/16	REVISED LABELS AND ITEM 10 PACKAGE QTY				C	13729	C13729	D		
C	5/4/16	RELEASE				SCALE	N.T.S.	DATE	13/12/2010	SHEET	1 OF 1
D1	10/10/16	ADDED ITEM 9: RIBBON HOLDER, BARE / 3.0 & 3.6 ROUND (BLACK) was RIBBON HOLDER 12F. ADDED ITEM 12: FIBER HOLDER, LOOSE FIBERS, 2.0 CBL (GREEN)	1994-1711								
D	12/5/16	ADDED ITEM 13: FLASH DRIVE W/ RECOVERY SOFTWARE									
		RELEASE									