

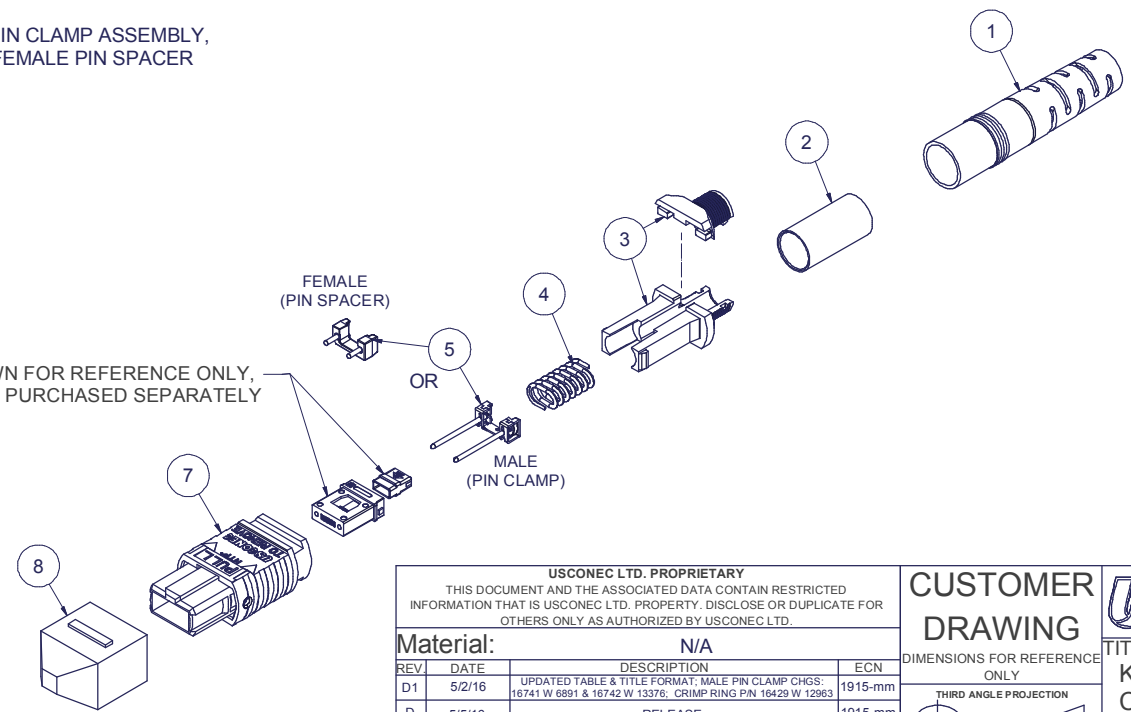
KIT P/N	KIT DESCRIPTION	PERFORMANCE	COLUMN A PIN CLAMP/SPACER P/N	COLUMN B HSG ASSY P/N	COLUMN C SPRING P/N	HSG COLOR
13651	KIT, MTP®, MALE, MM MTP Elite®, 5.5 RND, HSF, AQUA	MM MTP Elite®	16742	7871	12501	AQUA
14182	KIT, MTP®, FEMALE, MM, 5.5 RND, HSF, BEIGE	MM	12918	MTP-A12-11	12501	BEIGE
14183	KIT, MTP®, MALE, MM, 5.5 RND, HSF, BEIGE	MM	16741	MTP-A12-11	12501	BEIGE
14184	KIT, MTP®, FEMALE, MM, 5.5 RND, HSF, BLACK	MM	12918	MTP-A12-02	12501	BLACK
14185	KIT, MTP®, MALE, MM, 5.5 RND, HSF, BLACK	MM	16741	MTP-A12-02	12501	BLACK
14186	KIT, MTP®, FEMALE, MM, 5.5 RND, HSF, AQUA	MM or MM MTP Elite®	12918	7871	12501	AQUA
14187	KIT, MTP®, MALE, MM, 5.5 RND, HSF, AQUA	MM	16741	7871	12501	AQUA
18107	KIT, MTP®, FEMALE, SM, 5.5 RND, HSF, GREEN	SM or SM MTP Elite®	12918	16007	17881	GREEN
18108	KIT, MTP®, MALE, SM, 5.5 RND, HSF, GREEN	SM	16742	16007	17881	GREEN
18109	KIT, MTP®, FEMALE, SM MTP Elite®, 5.5 RND, HSF, YELLOW	SM MTP Elite®	12918	16918	17881	YELLOW
18110	KIT, MTP®, MALE, SM MTP Elite®, 5.5 RND, HSF, YELLOW	SM MTP Elite®	16743	16918	17881	YELLOW

Parts List				
ITEM	DESCRIPTION	PART NUMBER	QTY	NOTES
1	CABLE BOOT	12978	1	
2	CRIMP RING	16429	1	
3	SPRING PUSH, 2PC	13030	1	
4	SPRING	SEE KIT TABLE COLUMN C	1	
5	PIN CLAMP or PIN SPACER	SEE KIT TABLE COLUMN A	1	NOTE 1
7	HOUSING ASSY	SEE KIT TABLE COLUMN B	1	
8	PROTECTIVE CAP	MTP-012-01	1	

NOTES:

1. MALE CONNECTOR KIT HAS PIN CLAMP ASSEMBLY,
FEMALE CONNECTOR KIT HAS FEMALE PIN SPACER

FERRULE / BOOT KIT SHOWN FOR REFERENCE ONLY,
MUST BE PURCHASED SEPARATELY



USCONEC LTD. PROPRIETARY
THIS DOCUMENT AND THE ASSOCIATED DATA CONTAIN RESTRICTED
INFORMATION THAT IS USCONEC LTD. PROPERTY. DISCLOSE OR DUPLICATE FOR
OTHERS ONLY AS AUTHORIZED BY USCONEC LTD.

REV	DATE	DESCRIPTION	ECN
D1	5/2/16	UPDATED TABLE & TITLE FORMAT; MALE PIN CLAMP CHGS: 16741 W 6891 & 16742 W 13376; CRIMP RING P/N 16429 W 12963	1915-mm
D	5/5/16	RELEASE	1915-mm
E1	12/6/16	ADDED SM & SM Elite® KITS: 18107, 18108, 18109 & 18110; ADDED COLUMN C TO TABLE	1964-mm
E	12/16/16	RELEASE	

CUSTOMER DRAWING

USCONEC
Hickory, NC
800-769-0944
www.usconec.com

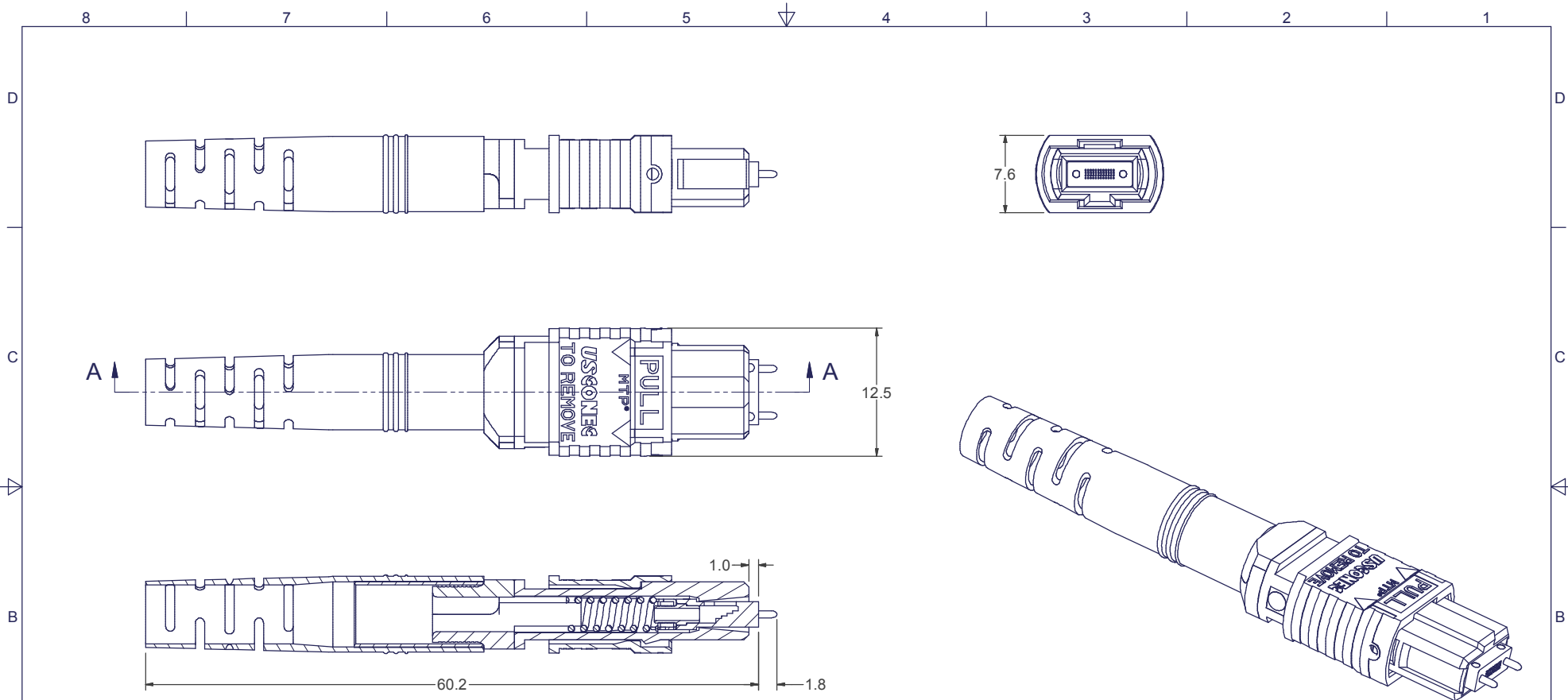
TITLE
KIT, MTP® CONN., 5.3 - 5.7mm RND
CABLE, HIGH SPRING FORCE

▲ DENOTES CRITICAL DIMENSION

THIRD ANGLE PROJECTION

SCALE: N.T.S. Drafter: G. WOLF Date: 6/27/2010 SHEET 1 OF 2

SIZE: S&M Part No.: SEE TABLE DWG NO: C13650 REV: E



SECTION A-A

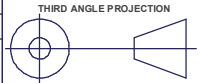
USCONEC LTD. PROPRIETARY
THIS DOCUMENT AND THE ASSOCIATED DATA CONTAIN RESTRICTED INFORMATION THAT IS USCONEC LTD. PROPERTY. DISCLOSE OR DUPLICATE FOR OTHERS ONLY AS AUTHORIZED BY USCONEC LTD.

Material: N/A

REV	DATE	DESCRIPTION	ECN
		SEE SHEET 1	

CUSTOMER DRAWING

DIMENSIONS FOR REFERENCE ONLY



METRIC/mm

▲ DENOTES CRITICAL DIMENSION

USCONEC Hickory, NC
800-769-0944
www.usconec.com

TITLE
KIT, MTP® CONN., 5.3 - 5.7mm RND
CABLE, HIGH SPRING FORCE

SIZE B	S&M Part No.: SEE TABLE	DWG NO. C13650	REV E
SCALE N.T.S.	Drafter G. WOLF	Date: 6/27/2010	SHEET 2 OF 2