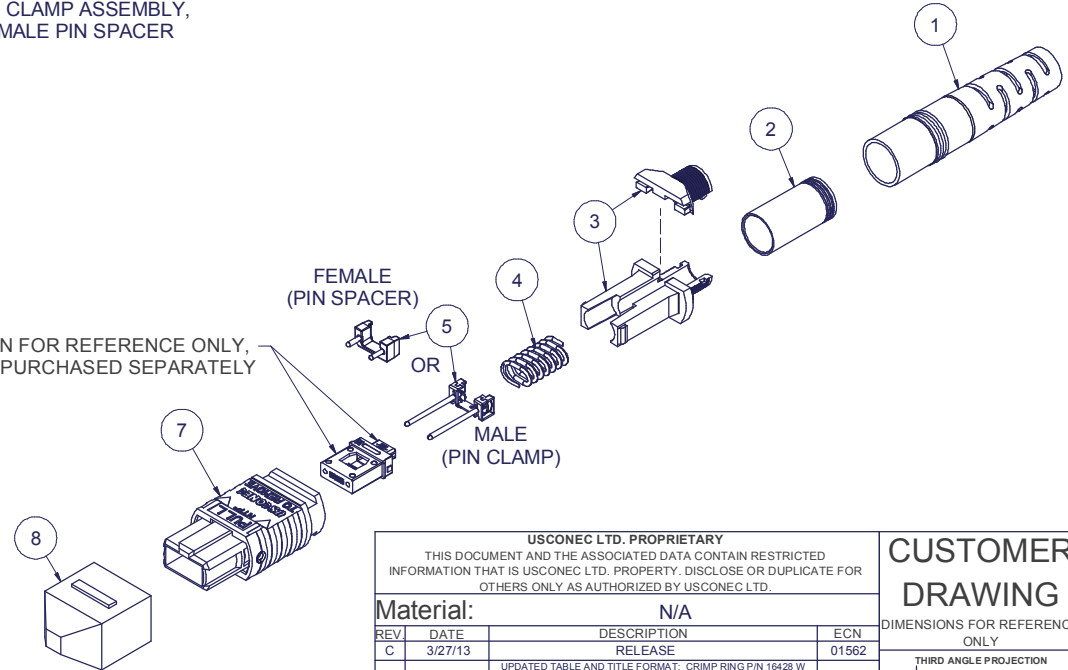


KIT P/N	KIT DESCRIPTION	PERFORMANCE	COLUMN A PIN CLAMP/SPACER P/N	COLUMN B HSG ASSY P/N	COLUMN C SPRING P/N	HSG COLOR
13649	KIT, MTP®, MALE, MM MTP Elite®, 5.0 RND, HSF, AQUA	MM MTP Elite®	16742	7871	12501	AQUA
14176	KIT, MTP®, FEMALE, MM, 5.0 RND, HSF, BEIGE	MM	12918	MTP-A12-11	12501	BEIGE
14177	KIT, MTP®, MALE, MM, 5.0 RND, HSF, BEIGE	MM	16741	MTP-A12-11	12501	BEIGE
14178	KIT, MTP®, FEMALE, MM, 5.0 RND, HSF, BLACK	MM	12918	MTP-A12-02	12501	BLACK
14179	KIT, MTP®, MALE, MM, 5.0 RND, HSF, BLACK	MM	16741	MTP-A12-02	12501	BLACK
14180	KIT, MTP®, FEMALE, MM, 5.0 RND, HSF, AQUA	MM or MM MTP Elite®	12918	7871	12501	AQUA
14181	KIT, MTP®, MALE, MM, 5.0 RND, HSF, AQUA	MM	16741	7871	12501	AQUA
16285	KIT, MTP®, MALE, MM MTP Elite®, 5.0 RND, HSF, MAGENTA	MM MTP Elite®	16742	13949	12501	MAGENTA
18103	KIT, MTP®, FEMALE, SM, 5.0 RND, HSF, GREEN	SM or SM MTP Elite®	12918	16007	17881	GREEN
18104	KIT, MTP®, MALE, SM, 5.0 RND, HSF, GREEN	SM	16742	16007	17881	GREEN
18105	KIT, MTP®, FEMALE, SM MTP Elite®, 5.0 RND, HSF, YELLOW	SM MTP Elite®	12918	16918	17881	YELLOW
18106	KIT, MTP®, MALE, SM MTP Elite®, 5.0 RND, HSF, YELLOW	SM MTP Elite®	16743	16918	17881	YELLOW

Parts List				
ITEM	DESCRIPTION	PART NUMBER	QTY	NOTES
1	BOOT	12978	1	
2	CRIMP RING	16428	1	
3	SPRING PUSH, 2PC	13030	1	
4	SPRING	SEE KIT TABLE COLUMN C	1	
5	PIN CLAMP or PIN SPACER	SEE KIT TABLE COLUMN A	1	NOTE 1
7	HOUSING ASSY	SEE KIT TABLE COLUMN B	1	
8	PROTECTIVE CAP	MTP-012-01	1	

NOTES:
1. MALE CONNECTOR KIT HAS PIN CLAMP ASSEMBLY,
FEMALE CONNECTOR KIT HAS FEMALE PIN SPACER



USCONEC LTD. PROPRIETARY
THIS DOCUMENT AND THE ASSOCIATED DATA CONTAIN RESTRICTED INFORMATION THAT IS USCONEC LTD. PROPERTY. DISCLOSE OR DUPLICATE FOR OTHERS ONLY AS AUTHORIZED BY USCONEC LTD.

REV	DATE	DESCRIPTION	ECN
C	3/27/13	RELEASE	01562
D1	5/2/16	UPDATED TABLE AND TITLE FORMAT: CRIMP RING P/N 16428 W 13092; MALE PIN CLAMP P/N CHG'S: 16742 W 13376 & 16741 W 6891; ADD'D KIT P/N 16285 TO TABLE	1915mm
D	5/5/16	RELEASE	1915-mm
E1	12/6/16	ADDED SM & SM Elite® KITS: 18103, 18104, 18105 & 18106; ADDED 'COLUMN C' TO TABLE	1964-mm
E	12/16/16	RELEASE	

▲ DENOTES CRITICAL DIMENSION

CUSTOMER DRAWING

USCONEC
Hickory, NC
800-769-0944
www.usconec.com

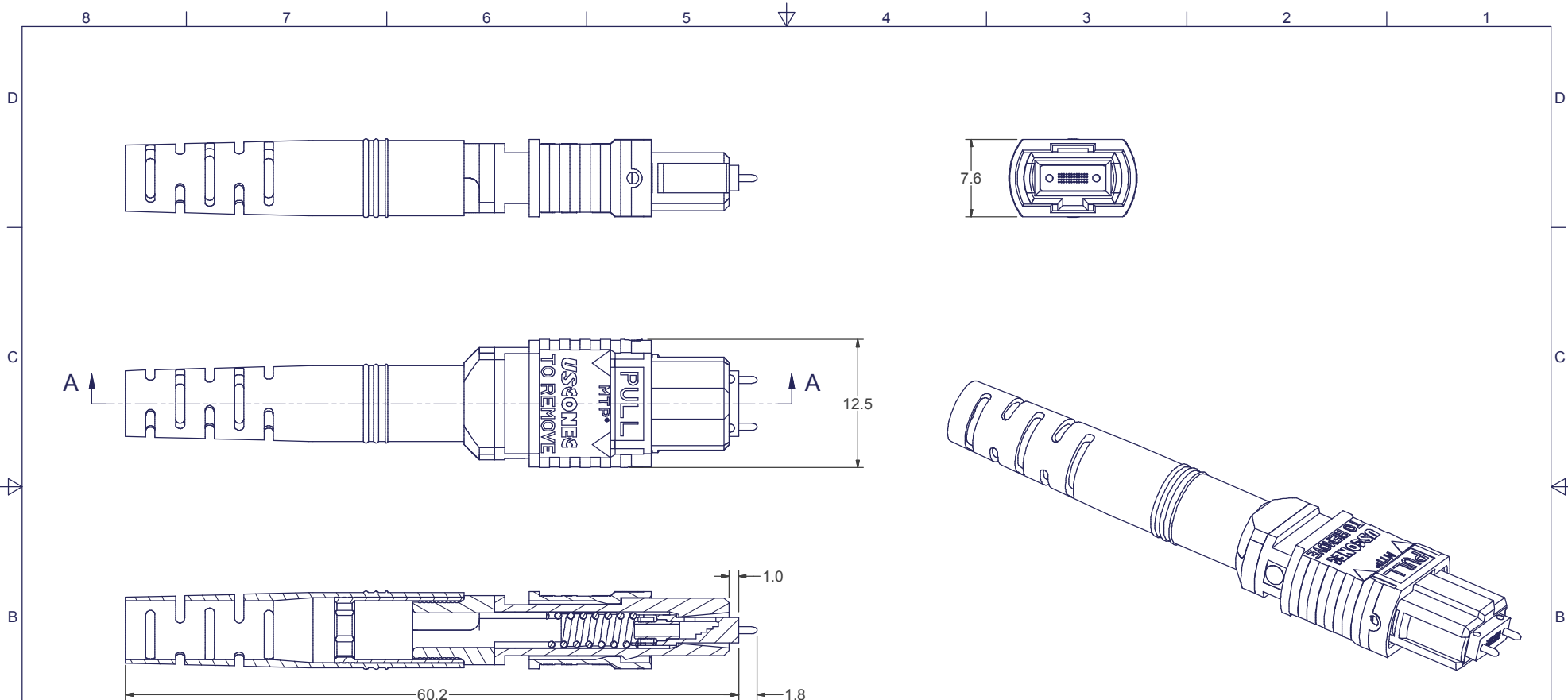
TITLE
KIT, MTP® CONNECTOR, 4.8 - 5.2mm
RND CABLE, HIGH SPRING FORCE

SIZE S&M Part No.: SEE TABLE
SCALE N.T.S. Drafter G. WOLF Date: 6/27/2010 SHEET 1 OF 2

DWG NO. **C13648**

REV E

METRIC/mm



SECTION A-A

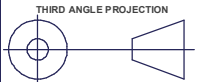
USCONEC LTD. PROPRIETARY
 THIS DOCUMENT AND THE ASSOCIATED DATA CONTAIN RESTRICTED INFORMATION THAT IS USCONEC LTD. PROPERTY. DISCLOSE OR DUPLICATE FOR OTHERS ONLY AS AUTHORIZED BY USCONEC LTD.

Material: N/A

REV	DATE	DESCRIPTION	ECN
		SEE SHEET 1	

CUSTOMER DRAWING

DIMENSIONS FOR REFERENCE ONLY



METRIC/mm

▲ DENOTES CRITICAL DIMENSION

USCONEC Hickory, NC
 800-769-0944
www.usconec.com

TITLE
 KIT, MTP® CONNECTOR, 4.8 - 5.2mm
 RND CABLE, HIGH SPRING FORCE

SIZE B	S&M Part No.: SEE TABLE	DWG NO. C13648	REV E
SCALE N.T.S.	Drafter G. WOLF	Date: 6/27/2010	SHEET 2 OF 2