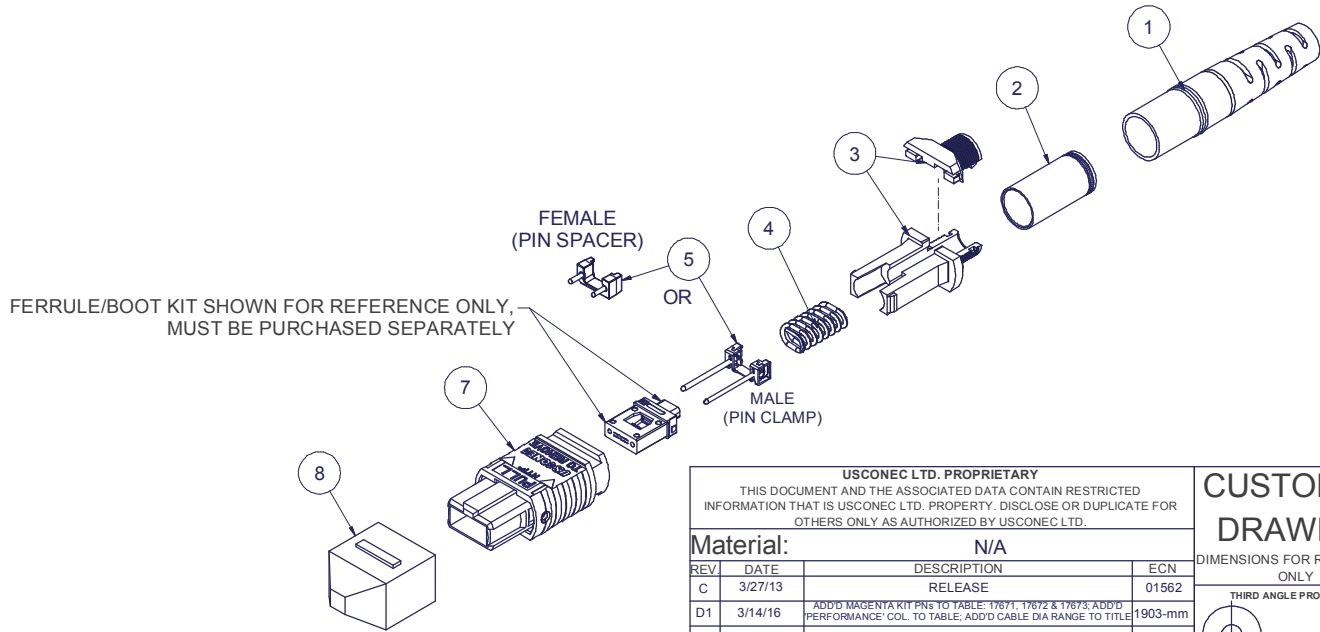


Parts List				
ITEM	DESCRIPTION	PART NUMBER	QTY	NOTES
1	BOOT	13168	1	
2	CRIMP RING	16427	1	
3	SPRING PUSH, 2 PC	13030	1	
4	SPRING	SEE KIT TABLE COLUMN C	1	
5	PIN CLAMP or PIN SPACER	SEE KIT TABLE COLUMN A	1	NOTE 1
7	HOUSING ASSY	SEE KIT TABLE COLUMN B	1	
8	PROTECTIVE CAP	MTP-012-01	1	

NOTES:

1. MALE CONNECTOR KIT HAS PIN CLAMP ASSEMBLY,
FEMALE CONNECTOR KIT HAS FEMALE PIN SPACER

KIT P/N	KIT DESCRIPTION	PERFORMANCE	COLUMN A PIN CLAMP/SPACER P/N	COLUMN B HSG ASSY P/N	COLUMN C SPRING P/N	HSG COLOR
13535	KIT, MTP®, MALE, MM MTP Elite®, 4.5 RND, HSF, AQUA	MM MTP Elite®	16742	7871	12501	AQUA
14170	KIT, MTP®, FEMALE, MM, 4.5 RND, HSF, BEIGE	MM	12918	MTP-A12-11	12501	BEIGE
14171	KIT, MTP®, MALE, MM, 4.5 RND, HSF, BEIGE	MM	16741	MTP-A12-11	12501	BEIGE
14172	KIT, MTP®, FEMALE, MM, 4.5 RND, HSF, BLACK	MM	12918	MTP-A12-02	12501	BLACK
14173	KIT, MTP®, MALE, MM, 4.5 RND, HSF, BLACK	MM	16741	MTP-A12-02	12501	BLACK
14174	KIT, MTP®, FEMALE, MM, 4.5 RND, HSF, AQUA	MM or MM MTP Elite®	12918	7871	12501	AQUA
14175	KIT, MTP®, MALE, MM, 4.5 RND, HSF, AQUA	MM	16741	7871	12501	AQUA
17671	KIT, MTP®, FEMALE, MM, 4.5 RND, HSF, MAGENTA	MM or MM MTP Elite®	12918	13949	12501	MAGENTA
17672	KIT, MTP®, MALE, MM, 4.5 RND, HSF, MAGENTA	MM	16741	13949	12501	MAGENTA
17673	KIT, MTP®, MALE, MM MTP Elite®, 4.5 RND, HSF, MAGENTA	MM MTP Elite®	16742	13949	12501	MAGENTA
18099	KIT, MTP®, FEMALE, SM, 4.5 RND, HSF, GREEN	SM or SM MTP Elite®	12918	16007	17881	GREEN
18100	KIT, MTP®, MALE, SM, 4.5 RND, HSF, GREEN	SM	16742	16007	17881	GREEN
18101	KIT, MTP®, FEMALE, SM MTP Elite®, 4.5 RND, HSF, YELLOW	SM MTP Elite®	12918	16918	17881	YELLOW
18102	KIT, MTP®, MALE, SM MTP Elite®, 4.5 RND, HSF, YELLOW	SM MTP Elite®	16743	16918	17881	YELLOW



USCONEC LTD. PROPRIETARY
THIS DOCUMENT AND THE ASSOCIATED DATA CONTAIN RESTRICTED
INFORMATION THAT IS USCONEC LTD. PROPERTY. DISCLOSE OR DUPLICATE FOR
OTHERS ONLY AS AUTHORIZED BY USCONEC LTD.

Material:	N/A		
REV	DATE	DESCRIPTION	ECN
C	3/27/13	RELEASE	01562
D1	3/14/16	ADDED MAGENTA KIT P/Ns TO TABLE: 17671, 17672 & 17673; ADDED PERFORMANCE COL. TO TABLE; ADDED CABLE DIA RANGE TO TITLE	1903-mm
D	4/20/16	RELEASE	1903-mm
E1	12/6/16	ADDED SM & SM Elite® KITS: 18099, 18100, 18101 & 18102; ADDED 'COLUMN C' TO TABLE	1964-mm
E	12/16/16	RELEASE	

CUSTOMER DRAWING

DIMENSIONS FOR REFERENCE ONLY

THIRD ANGLE PROJECTION

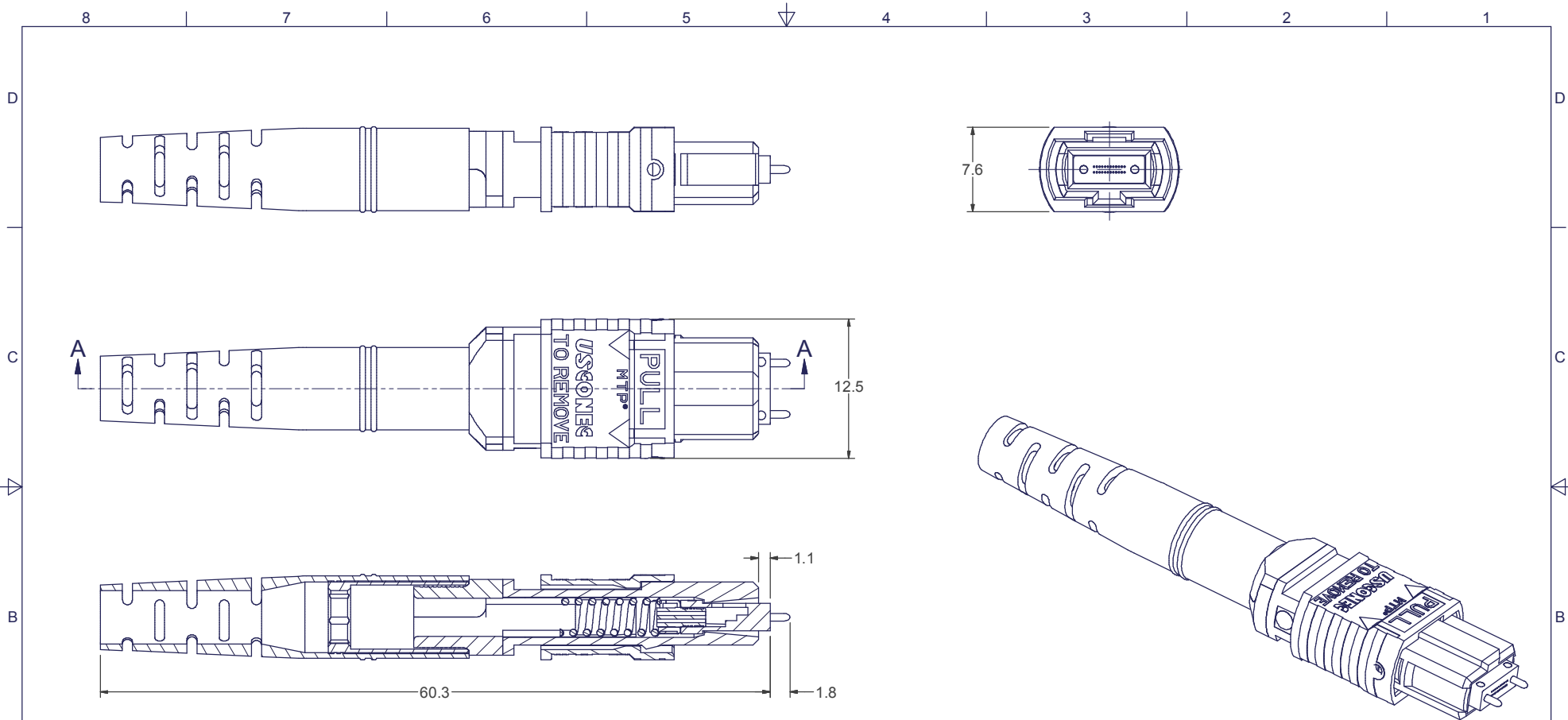
METRIC/mm

▲ DENOTES CRITICAL DIMENSION

USCONEC Hickory, NC
800-769-0944
www.usconec.com

TITLE
KIT, MTP® CONNECTOR, 4.3 - 4.7mm RND
CABLE, HIGH SPRING FORCE

SIZE	IS&M Part No.:	DWG NO.	REV
B	SEE TABLE	C13534	E
SCALE	Drafter	Date:	SHEET
N.T.S.	G. WOLF	6/27/2010	1 OF 2



SECTION A-A

USCONEC LTD. PROPRIETARY
 THIS DOCUMENT AND THE ASSOCIATED DATA CONTAIN RESTRICTED INFORMATION THAT IS USCONEC LTD. PROPERTY. DISCLOSE OR DUPLICATE FOR OTHERS ONLY AS AUTHORIZED BY USCONEC LTD.

Material: N/A

REV	DATE	DESCRIPTION	ECN
		SEE SHEET 1	

CUSTOMER DRAWING

DIMENSIONS FOR REFERENCE ONLY

THIRD ANGLE PROJECTION

METRIC/mm

▲ DENOTES CRITICAL DIMENSION

USCONEC Hickory, NC
 800-769-0944
www.usconec.com

TITLE
 KIT, MTP® CONNECTOR, 4.3 - 4.7mm RND CABLE, HIGH SPRING FORCE

SIZE B	S&M Part No.: SEE TABLE	DWG NO. C13534	REV E
SCALE N.T.S.	Drafter G. WOLF	Date: 6/27/2010	SHEET 2 OF 2