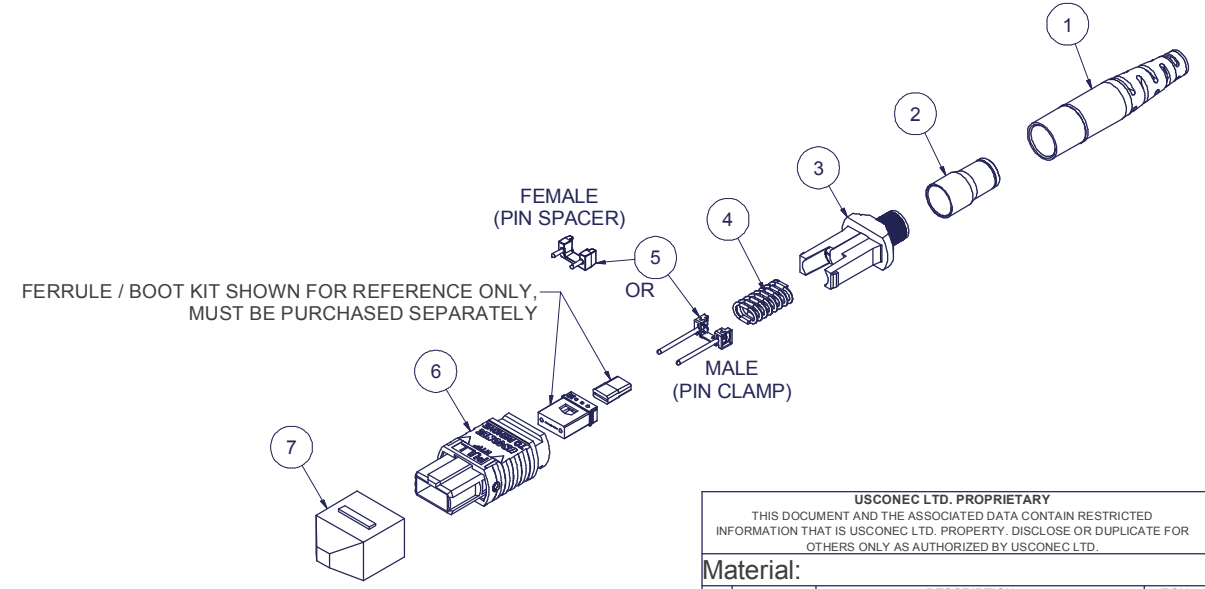


4					3			2		1		
Parts List					KIT P/N	KIT DESCRIPTION	PERFORMANCE	COLUMN A PIN CLAMP/SPACER P/N	COLUMN B HSG ASSY P/N	COLUMN C SPRING P/N	HSG COLOR	
ITEM	DESCRIPTION	PART NUMBER	QTY	NOTES								
1	BOOT	12165	1		13531	KIT, MTP®, MALE, MM MTP Elite®, 3.6 RND, HSF, AQUA	MM MTP Elite®	16742	7871	12501	AQUA	
2	CRIMP RING	16426	1		14164	KIT, MTP®, FEMALE, MM, 3.6 RND, HSF, BEIGE	MM	12918	MTP-A12-11	12501	BEIGE	
3	SPRING PUSH	13245	1		14165	KIT, MTP®, MALE, MM, 3.6 RND, HSF, BEIGE	MM	16741	MTP-A12-11	12501	BEIGE	
4	SPRING	SEE KIT TABLE COLUMN C	1		14166	KIT, MTP®, FEMALE, MM, 3.6 RND, HSF, BLACK	MM	12918	MTP-A12-02	12501	BLACK	
5	PIN CLAMP or PIN SPACER	SEE KIT TABLE COLUMN A	1	NOTE 1	14167	KIT, MTP®, MALE, MM, 3.6 RND, HSF, BLACK	MM	16741	MTP-A12-02	12501	BLACK	
6	HOUSING ASSEMBLY	SEE KIT TABLE COLUMN B	1		14168	KIT, MTP®, FEMALE, MM, 3.6 RND, HSF, AQUA	MM or MM MTP Elite®	12918	7871	12501	AQUA	
7	PROTECTIVE CAP	MTP-012-01	1		14169	KIT, MTP®, MALE, MM, 3.6 RND, HSF, AQUA	MM	16741	7871	12501	AQUA	
					16934	KIT, MTP®, MALE, MM MTP Elite®, 3.6 RND, HSF, MAGENTA	MM MTP Elite®	16742	13949	12501	MAGENTA	
					16939	KIT, MTP®, FEMALE, MM, 3.6 RND, HSF, MAGENTA	MM or MM MTP Elite®	12918	13949	12501	MAGENTA	
					16940	KIT, MTP®, MALE, MM, 3.6 RND, HSF, MAGENTA	MM	16741	13949	12501	MAGENTA	
					17128	KIT, MTP®, FEMALE, MM, 3.6 RND, HSF, HEATHER VIOLET	MM or MM MTP Elite®	12918	16693	12501	HEATHER VIOLET	
					17129	KIT, MTP®, MALE, MM MTP Elite®, 3.6 RND, HSF, HEATHER VIOLET	MM MTP Elite®	16742	16693	12501	HEATHER VIOLET	
					18083	KIT, MTP®, FEMALE, SM, 3.6 RND, HSF, GREEN	SM or SM MTP Elite®	12918	16007	17881	GREEN	
					18084	KIT, MTP®, MALE, SM, 3.0 RND, 3.6 RND, HSF, GREEN	SM	16742	16007	17881	GREEN	
					18085	KIT, MTP®, FEMALE, SM MTP Elite®, 3.6 RND, HSF, YELLOW	SM MTP Elite®	12918	16918	17881	YELLOW	
					18086	KIT, MTP®, MALE, SM MTP Elite®, 3.6 RND, HSF, YELLOW	SM MTP Elite®	16743	16918	17881	YELLOW	

NOTES:

1. MALE CONNECTOR KIT HAS PIN CLAMP ASSEMBLY,  
FEMALE CONNECTOR KIT HAS FEMALE PIN SPACER



FERRULE / BOOT KIT SHOWN FOR REFERENCE ONLY,  
MUST BE PURCHASED SEPARATELY

USCONEC LTD. PROPRIETARY  
THIS DOCUMENT AND THE ASSOCIATED DATA CONTAIN RESTRICTED  
INFORMATION THAT IS USCONEC LTD. PROPERTY. DISCLOSE OR DUPLICATE FOR  
OTHERS ONLY AS AUTHORIZED BY USCONEC LTD.

**Material:**

REV	DATE	DESCRIPTION	ECN
F1	4/14/16	CRIMP BAND CHG: 16426 W 12166; MALE PIN CLAMP CHGS: 16742 W 13376 & 16741 W 6891	1897-mm
F	4/15/16	RELEASE	1897-mm
G1	8/24/16	ADD'D KIT P/N'S 18083, 18084, 18085 & 18086; SPRING P/N 17881 W 12501	1965-mm
G2	11/4/16	ADD'D COLUMN C TO KIT TABLE; CHG'D SPRING P/N FOR MM KITS: 12501 was 17881; REVISED SPRING DESC: UPDATED TITLE FORMAT	1965-mm
G	11/22/16	RELEASE	

▲ DENOTES CRITICAL DIMENSION

**CUSTOMER DRAWING**

**USCONEC** Hickory, NC  
800-769-0944  
www.usconec.com

TITLE  
KIT, MTP® CONN., 3.4 - 3.8 mm RND CBL,  
HIGH SPRING FORCE

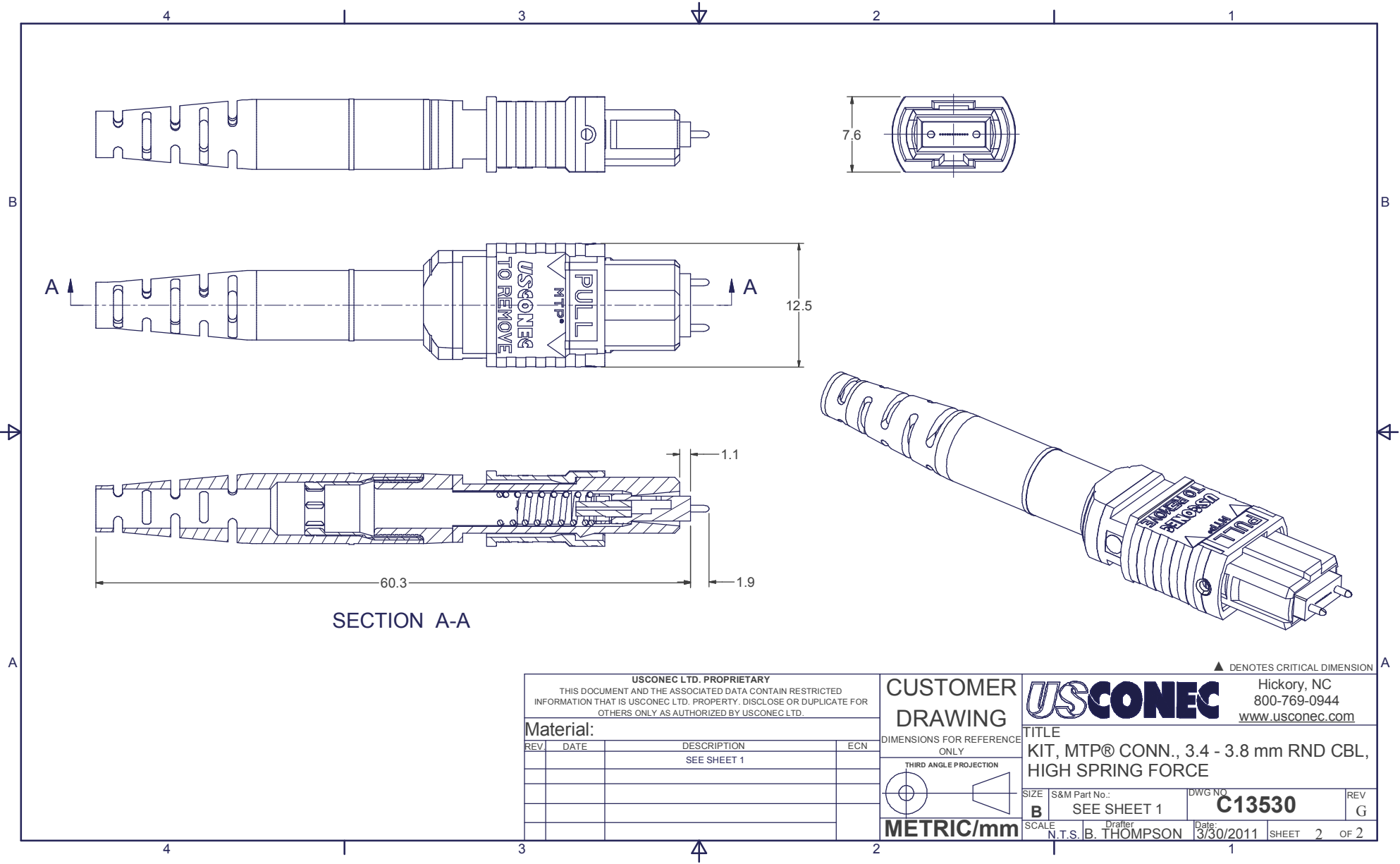
DIMENSIONS FOR REFERENCE ONLY

THIRD ANGLE PROJECTION

SCALE: METRIC/mm

SIZE: S&M Part No.: SEE TABLE DWG NO: **C13530** REV: G


SCALE: N.T.S. B. THOMPSON Date: 3/30/2011 SHEET 1 OF 2



**USCONEC LTD. PROPRIETARY**  
 THIS DOCUMENT AND THE ASSOCIATED DATA CONTAIN RESTRICTED INFORMATION THAT IS USCONEC LTD. PROPERTY. DISCLOSE OR DUPLICATE FOR OTHERS ONLY AS AUTHORIZED BY USCONEC LTD.

**Material:**

REV	DATE	DESCRIPTION	ECN
		SEE SHEET 1	

**CUSTOMER DRAWING**  
 DIMENSIONS FOR REFERENCE ONLY  
 THIRD ANGLE PROJECTION  
  
**METRIC/mm**

**USCONEC** Hickory, NC  
 800-769-0944  
[www.usconec.com](http://www.usconec.com)

**TITLE**  
 KIT, MTP® CONN., 3.4 - 3.8 mm RND CBL, HIGH SPRING FORCE

SIZE	S&M Part No.:	DWG NO.	REV
<b>B</b>	SEE SHEET 1	<b>C13530</b>	<b>G</b>
SCALE	Drafter	Date:	
N.T.S.	B. THOMPSON	3/30/2011	SHEET 2 OF 2