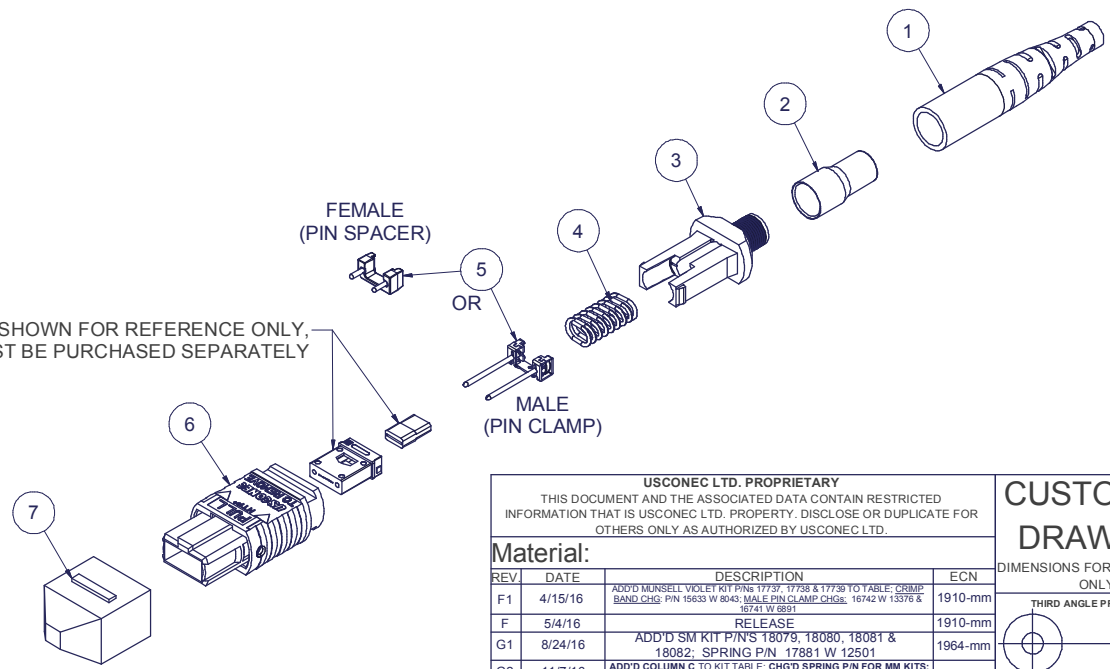


4					3	2	1				
Parts List					KIT P/N	KIT DESCRIPTION	PERFORMANCE	COLUMN A	COLUMN B	COLUMN C	HSG COLOR
ITEM	DESCRIPTION	PART NUMBER	QTY	NOTES				PIN CLAMP/SPACER P/N	HSG ASSY P/N	SPRING P/N	
1	BOOT	8041	1		13529	KIT, MTP®, MALE, MM MTP Elite®, 3.0mm RND, HSF, AQUA	MM MTP Elite®	16742	7871	12501	AQUA
2	CRIMP RING	15633	1		14158	KIT, MTP®, FEMALE, MM, 3.0mm RND, HSF, BEIGE	MM	12918	MTP-A12-11	12501	BEIGE
3	SPRING PUSH	13527	1		14159	KIT, MTP®, MALE, MM, 3.0mm RND, HSF, BEIGE	MM	16741	MTP-A12-11	12501	BEIGE
4	SPRING	SEE KIT TABLE COLUMN C	1		14160	KIT, MTP®, FEMALE, MM, 3.0mm RND, HSF, BLACK	MM	12918	MTP-A12-02	12501	BLACK
5	PIN CLAMP or PIN SPACER	SEE KIT TABLE COLUMN A	1	NOTE 1	14161	KIT, MTP®, MALE, MM, 3.0mm RND, HSF, BLACK	MM	16741	MTP-A12-02	12501	BLACK
6	HOUSING ASSY	SEE KIT TABLE COLUMN B	1		14162	KIT, MTP®, FEMALE, MM, 3.0mm RND, HSF, AQUA	MM or MM MTP Elite®	12918	7871	12501	AQUA
7	PROTECTIVE CAP	MTP-012-01	1		14163	KIT, MTP®, MALE, MM, 3.0mm RND, HSF, AQUA	MM	16741	7871	12501	AQUA
					16645	KIT, MTP®, FEMALE, MM, 3.0mm RND, HSF, MAGENTA	MM or MM MTP Elite®	12918	13949	12501	MAGENTA
					16646	KIT, MTP®, MALE, MM, 3.0mm RND, HSF, MAGENTA	MM	16741	13949	12501	MAGENTA
					17063	KIT, MTP®, MALE, MM MTP Elite®, 3.0mm RND, HSF, MAGENTA	MM MTP Elite®	16742	13949	12501	MAGENTA
					17126	KIT, MTP®, FEMALE, MM, 3.0mm RND, HSF, HEATHER VIOLET	MM or MM MTP Elite®	12918	16693	12501	HEATHER VIOLET
					17127	KIT, MTP®, MALE, MM MTP Elite®, 3.0mm RND, HSF, HEATHER VIOLET	MM MTP Elite®	16742	16693	12501	HEATHER VIOLET
					17737	KIT, MTP®, FEMALE, MM, 3.0mm RND, HSF, MUNSELL VIOLET	MM or MM MTP Elite®	12918	16791	12501	MUNSELL VIOLET
					17738	KIT, MTP®, MALE, MM, 3.0mm RND, HSF, MUNSELL VIOLET	MM	16741	16791	12501	MUNSELL VIOLET
					17739	KIT, MTP®, MALE, MM MTP Elite®, 3.0mm RND, HSF, MUNSELL VIOLET	MM MTP Elite®	16742	16791	12501	MUNSELL VIOLET
					18079	KIT, MTP®, FEMALE, SM, 3.0mm RND, HSF, GREEN	SM or SM MTP Elite®	12918	16007	17881	GREEN
					18080	KIT, MTP®, MALE, SM, 3.0mm RND, HSF, GREEN	SM	16742	16007	17881	GREEN
					18081	KIT, MTP®, FEMALE, SM MTP Elite®, 3.0mm RND, HSF, YELLOW	SM MTP Elite®	12918	16918	17881	YELLOW
					18082	KIT, MTP®, MALE, SM MTP Elite®, 3.0mm RND, HSF, YELLOW	SM MTP Elite®	16743	16918	17881	YELLOW

NOTES:
 1. MALE CONNECTOR KIT HAS PIN CLAMP ASSEMBLY, FEMALE CONNECTOR KIT HAS FEMALE PIN SPACER



FERRULE / BOOT KIT SHOWN FOR REFERENCE ONLY, MUST BE PURCHASED SEPARATELY

USCONEC LTD. PROPRIETARY
 THIS DOCUMENT AND THE ASSOCIATED DATA CONTAIN RESTRICTED INFORMATION THAT IS USCONEC LTD. PROPERTY. DISCLOSE OR DUPLICATE FOR OTHERS ONLY AS AUTHORIZED BY USCONEC LTD.

Material:

REV	DATE	DESCRIPTION	ECN
F1	4/15/16	ADD'D MUNSELL VIOLET KIT P/N'S 17737, 17738 & 17739 TO TABLE; CRIMP BAND CHG; P/N 15633 W 8043; MALE PIN CLAMP CHGS: 16742 W 13376 & 16741 W 6891	1910-mm
F	5/4/16	RELEASE	1910-mm
G1	8/24/16	ADD'D SM KIT P/N'S 18079, 18080, 18081 & 18082; SPRING P/N 17881 W 12501	1964-mm
G2	11/7/16	ADD'D COLUMN C TO KIT TABLE; CHG'D SPRING P/N FOR MM KITS: 12501 was 17881; REVISED SPRING DESC. UPDATED TITLE FORMAT	1965-mm
G	11/22/16	RELEASE	

CUSTOMER DRAWING

USCONEC
 Hickory, NC
 800-769-0944
 www.usconec.com

TITLE
 KIT, MTP® CONN., 2.8 - 3.2mm RND CBL, HIGH SPRING FORCE

SIZE S&M Part No.: SEE TABLE DWG NO. **C13528** REV G

SCALE N.T.S. Drafter G. WOLF Date: 6/28/2011 SHEET 1 OF 2

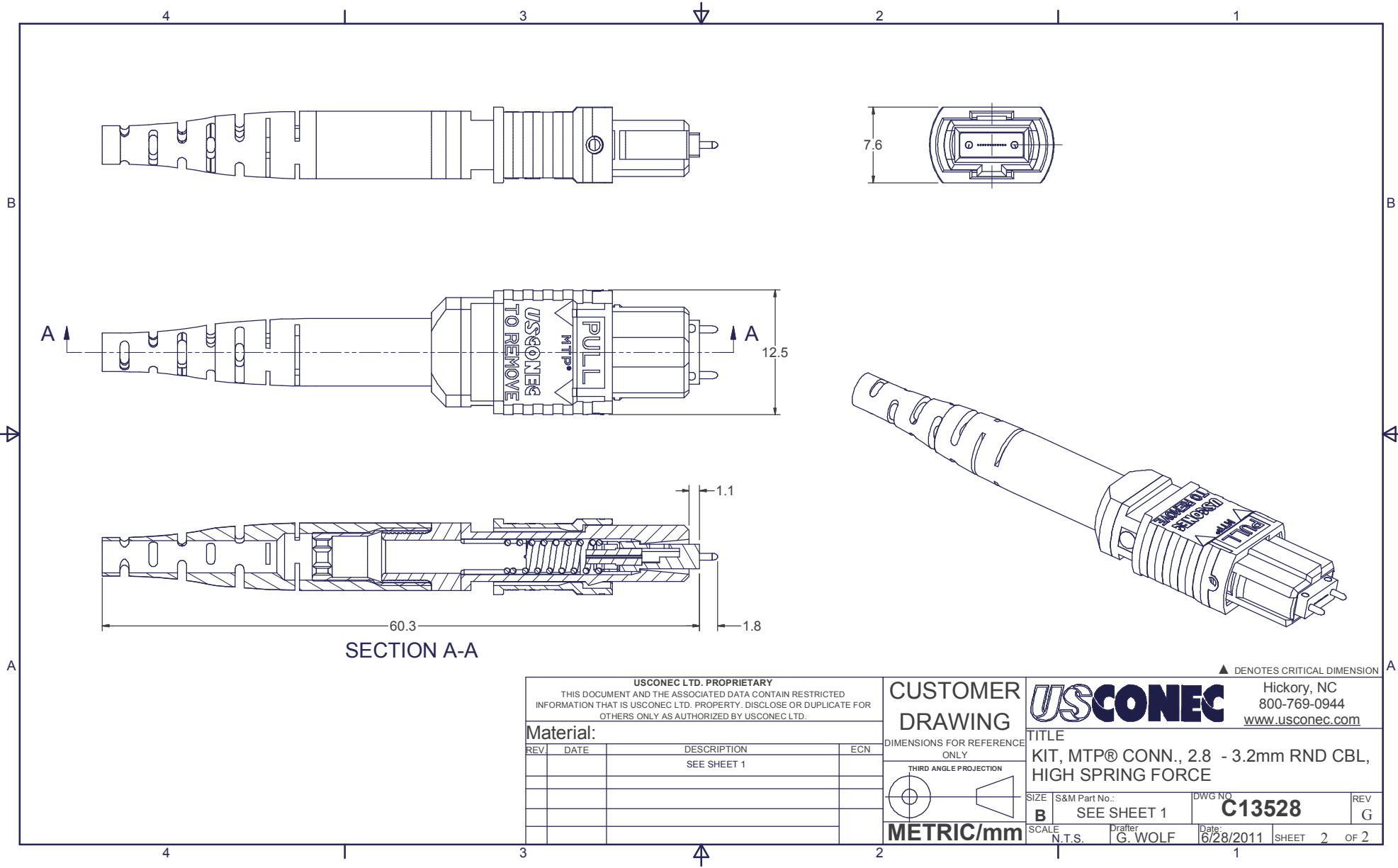
▲ DENOTES CRITICAL DIMENSION

B

B

A

A



USCONEC LTD. PROPRIETARY
 THIS DOCUMENT AND THE ASSOCIATED DATA CONTAIN RESTRICTED
 INFORMATION THAT IS USCONEC LTD. PROPERTY. DISCLOSE OR DUPLICATE FOR
 OTHERS ONLY AS AUTHORIZED BY USCONEC LTD.

Material:

REV	DATE	DESCRIPTION	ECN
		SEE SHEET 1	

CUSTOMER DRAWING
 DIMENSIONS FOR REFERENCE ONLY
 THIRD ANGLE PROJECTION

METRIC/mm

▲ DENOTES CRITICAL DIMENSION

USCONEC Hickory, NC
 800-769-0944
www.usconec.com

TITLE
 KIT, MTP® CONN., 2.8 - 3.2mm RND CBL,
 HIGH SPRING FORCE

SIZE	S&M Part No.:	DWG NO.	REV
B	SEE SHEET 1	C13528	G
SCALE	Drafter	Date:	SHEET
N.T.S.	G. WOLF	6/28/2011	2 OF 2