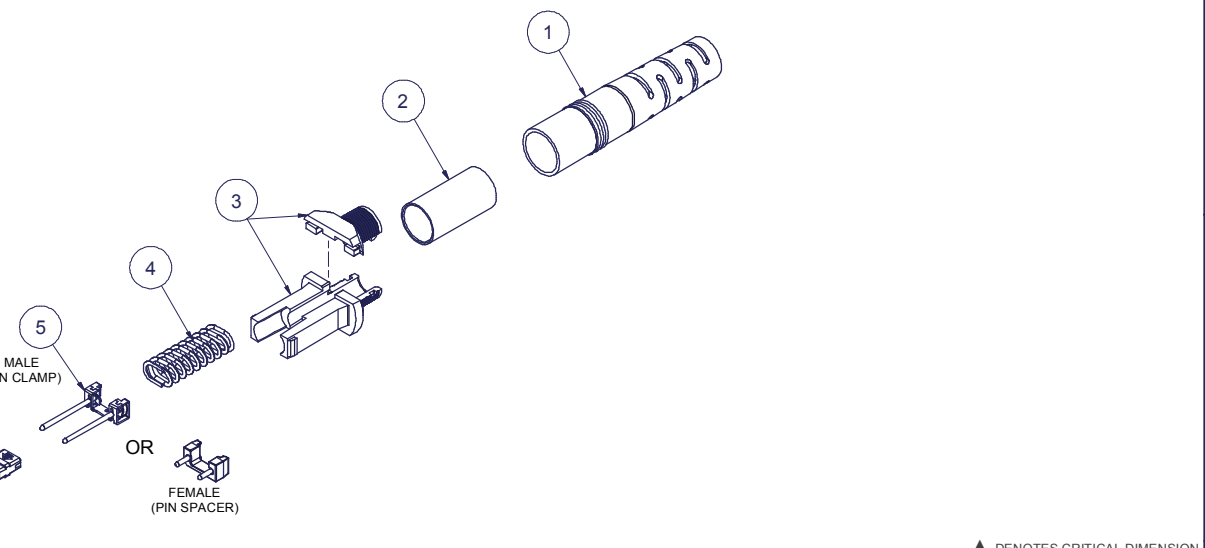


Parts List				
ITEM	DESCRIPTION	PART NUMBER	QTY	NOTES
1	CABLE BOOT	12978	1	
2	CRIMP RING	16429	1	
3	SPRING PUSH, 2PC	13030	1	
4	SPRING	14511	1	
5	PIN CLAMP or PIN SPACER	SEE KIT TABLE COLUMN A	1	NOTE 1
7	HOUSING ASSY	SEE KIT TABLE COLUMN B	1	
8	PROTECTIVE CAP	MTP-012-01	1	

NOTES:

1. MALE CONNECTOR KIT HAS PIN CLAMP ASSEMBLY,
FEMALE CONNECTOR KIT HAS FEMALE PIN SPACER

KIT P/N	KIT DESCRIPTION	PERFORMANCE	COLUMN A	COLUMN B	HSG ASSY COLOR
			PIN CLAMP/SPACER P/N	HSG ASSY P/N	
13178	KIT, MTP®, FEMALE, MM, 5.5 RND, AQUA	MM or MM MTP Elite®	12918	7871	AQUA
13179	KIT, MTP®, MALE, MM, 5.5 RND, AQUA	MM	16741	7871	AQUA
13180	KIT, MTP®, MALE, MM MTP Elite®, 5.5 RND, AQUA	MM MTP Elite®	16742	7871	AQUA
13181	KIT, MTP®, FEMALE, MM, 5.5 RND, BEIGE	MM	12918	MTP-A12-11	BEIGE
13182	KIT, MTP®, MALE, MM, 5.5 RND, BEIGE	MM	16741	MTP-A12-11	BEIGE
13183	KIT, MTP®, FEMALE, SM, 5.5 RND, GREEN	SM or SM MTP Elite®	12918	16007	GREEN
13184	KIT, MTP®, MALE, SM, 5.5 RND, GREEN	SM	16742	16007	GREEN
13185	KIT, MTP®, FEMALE, SM MTP Elite®, 5.5 RND, YELLOW	SM MTP Elite®	12918	16918	YELLOW
13186	KIT, MTP®, MALE, SM MTP Elite®, 5.5 RND, YELLOW	SM MTP Elite®	16743	16918	YELLOW
15242	KIT, MTP®, MALE, SM MTP Elite®, 5.5 RND, GREEN	SM MTP Elite®	16743	16007	GREEN
15571	KIT, MTP®, FEMALE, MM, 5.5 RND, MAGENTA	MM or MM MTP Elite®	12918	13949	MAGENTA
15572	KIT, MTP®, MALE, MM MTP Elite®, 5.5 RND, MAGENTA	MM MTP Elite®	16742	13949	MAGENTA
16346	KIT, MTP®, FEMALE, MM, 5.5 RND, BLACK	MM	12918	MTP-A12-02	BLACK
16347	KIT, MTP®, MALE, MM, 5.5 RND, BLACK	MM	16741	MTP-A12-02	BLACK



USCONEC LTD. PROPRIETARY
THIS DOCUMENT AND THE ASSOCIATED DATA CONTAIN RESTRICTED INFORMATION THAT IS USCONEC LTD. PROPERTY. DISCLOSE OR DUPLICATE FOR OTHERS ONLY AS AUTHORIZED BY USCONEC LTD.

Material: N/A

REV	DATE	DESCRIPTION	ECN
D1	12/9/15	CORRECTED KIT P/N 13183 "PERFORMANCE" INFO	1866-mm
D	1/19/16	RELEASE	1866-mm
E1	5/2/16	CRIMP RING P/N 16429 W 12963; MALE PIN CLAMP P/N CHG'S: 16741 W 8894, 16742 W 13376, 16743 W 13377; SORTED KIT P/N'S IN NUMERIC ORDER	1915-mm
E	5/5/16	RELEASE	1915-mm
F1	12/6/16	HSG CHG'S: 16007 (GREEN) was MTP-A12-12 (GREEN); 16918 (YELLOW) was MTP-A12-15 (MUSTARD)	1964-mm
F	12/16/16	RELEASE	

CUSTOMER DRAWING

DIMENSIONS FOR REFERENCE ONLY

THIRD ANGLE PROJECTION

METRIC/mm

▲ DENOTES CRITICAL DIMENSION

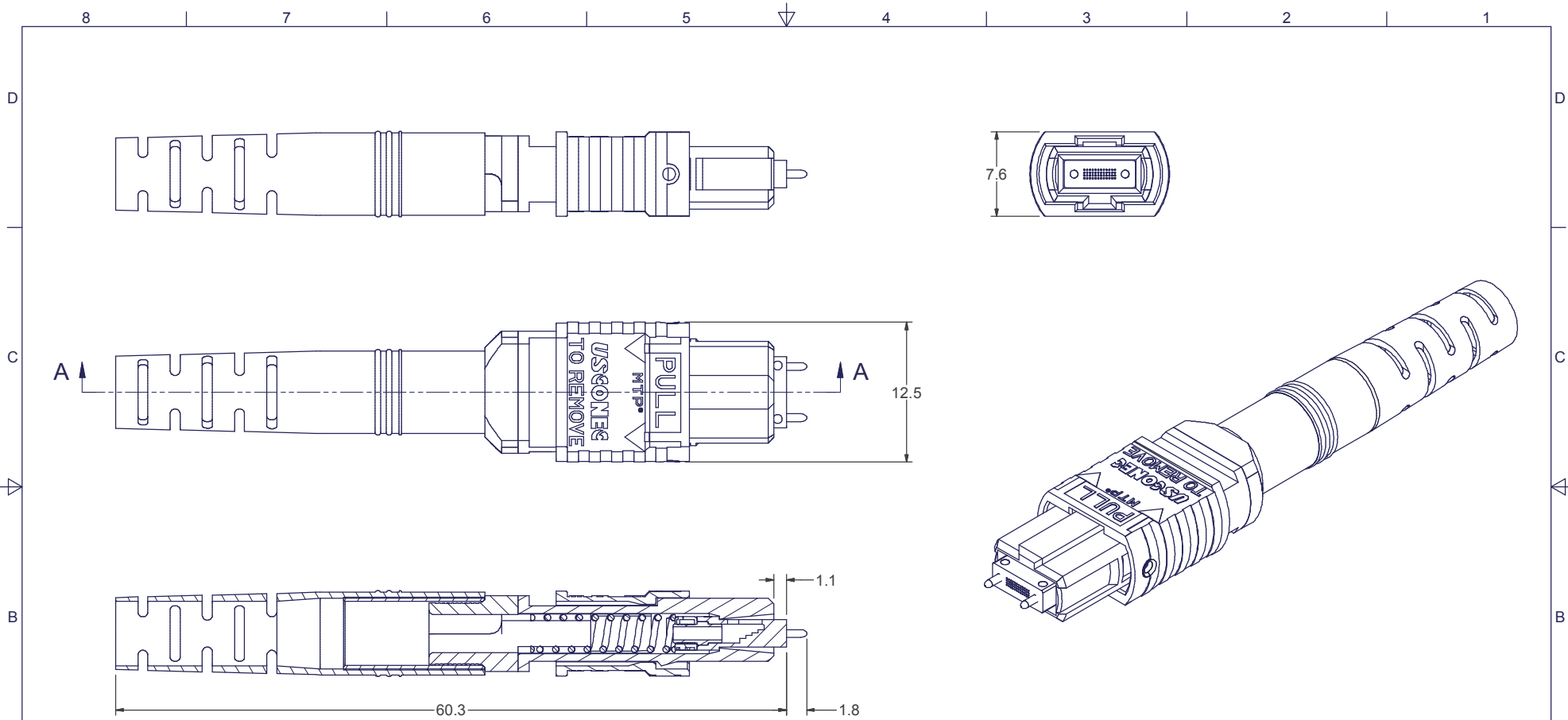
Hickory, NC
800-769-0944
www.usconec.com

USCONEC

TITLE
**KIT, MTP® CONNECTOR,
5.3 - 5.7mm ROUND CABLE**

SIZE S&M Part No.: SEE TABLE DWG NO. **C13178** REV F

SCALE N.T.S. Drafter B.THOMPSON Date: 11/18/2010 SHEET 1 OF 2



SECTION A-A

USCONEC LTD. PROPRIETARY
THIS DOCUMENT AND THE ASSOCIATED DATA CONTAIN RESTRICTED INFORMATION THAT IS USCONEC LTD. PROPERTY. DISCLOSE OR DUPLICATE FOR OTHERS ONLY AS AUTHORIZED BY USCONEC LTD.

Material: N/A

REV	DATE	DESCRIPTION	ECN
		SEE SHEET 1	

CUSTOMER DRAWING

DIMENSIONS FOR REFERENCE ONLY

THIRD ANGLE PROJECTION

METRIC/mm

▲ DENOTES CRITICAL DIMENSION

USCONEC Hickory, NC
800-769-0944
www.usconec.com

TITLE
KIT, MTP® CONNECTOR,
5.3 - 5.7mm ROUND CABLE

SIZE	S&M Part No.:	DWG NO.	REV
B	SEE TABLE	C13178	F
SCALE	Drafter	Date:	SHEET
N.T.S.	B.THOMPSON	11/18/2010	2 OF 2