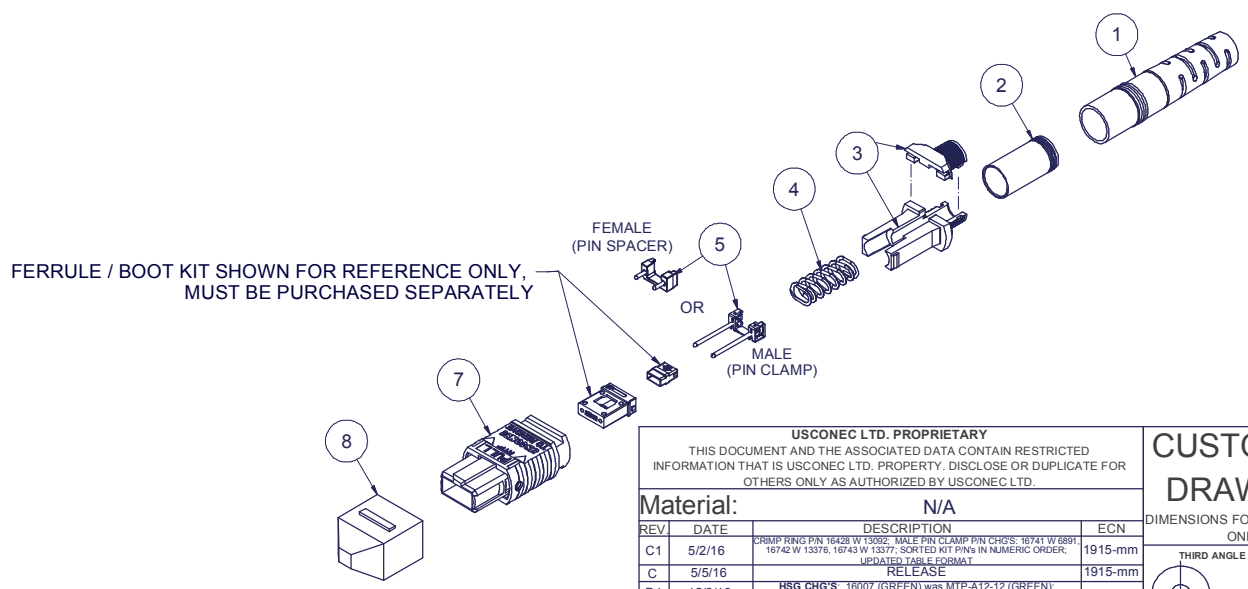


Parts List				
ITEM	DESCRIPTION	PART NUMBER	QTY	NOTES
1	CABLE BOOT	12978	1	
2	CRIMP RING	16428	1	
3	SPRING PUSH, 2PC	13030	1	
4	SPRING	14511	1	
5	PIN CLAMP or PIN SPACER	SEE KIT TABLE COLUMN A	1	NOTE 1
7	HOUSING ASSY	SEE KIT TABLE COLUMN B	1	
8	PROTECTIVE CAP	MTP-012-01	1	

NOTES:
 1. MALE CONNECTOR KIT HAS PIN CLAMP ASSEMBLY, FEMALE CONNECTOR KIT HAS FEMALE PIN SPACER

KIT P/N	KIT DESCRIPTION	PERFORMANCE	COLUMN A	COLUMN B	HSG ASSY COLOR
			PIN CLAMP/SPACER P/N	HSG ASSY P/N	
13169	KIT, MTP®, FEMALE, MM, 5.0 RND, AQUA	MM or MM MTP Elite®	12918	7871	AQUA
13170	KIT, MTP®, MALE, MM, 5.0 RND, AQUA	MM	16741	7871	AQUA
13171	KIT, MTP®, MALE, MM MTP Elite®, 5.0 RND, AQUA	MM MTP Elite®	16742	7871	AQUA
13172	KIT, MTP®, FEMALE, MM, 5.0 RND, BEIGE	MM	12918	MTP-A12-11	BEIGE
13173	KIT, MTP®, MALE, MM, 5.0 RND, BEIGE	MM	16741	MTP-A12-11	BEIGE
13174	KIT, MTP®, FEMALE, SM, 5.0 RND, GREEN	SM or SM MTP Elite®	12918	16007	GREEN
13175	KIT, MTP®, MALE, SM, 5.0 RND, GREEN	SM	16742	16007	GREEN
13176	KIT, MTP®, FEMALE, SM MTP Elite®, 5.0 RND, YELLOW	SM MTP Elite®	12918	16918	YELLOW
13177	KIT, MTP®, MALE, SM MTP Elite®, 5.0 RND, YELLOW	SM MTP Elite®	16743	16918	YELLOW
14788	KIT, MTP®, FEMALE, MM, 5.0 RND, MAGENTA	MM or MM MTP Elite®	12918	13949	MAGENTA
14789	KIT, MTP®, MALE, MM MTP Elite®, 5.0 RND, MAGENTA	MM MTP Elite®	16742	13949	MAGENTA
15241	KIT, MTP®, MALE, SM MTP Elite®, 5.0 RND, GREEN	SM MTP Elite®	16743	16007	GREEN
16573	KIT, MTP®, FEMALE, MM, 5.0 RND, BLACK	MM	12918	MTP-A12-02	BLACK
16574	KIT, MTP®, MALE, MM, 5.0 RND, BLACK	MM	16741	MTP-A12-02	BLACK
18786	KIT, MTP®, FEMALE, MM, 5.0 RND, HEATHER VIOLET	MM or MM MTP Elite®	12918	16693	HEATHER VIOLET
18787	KIT, MTP®, MALE, MM MTP Elite®, 5.0 RND, HEATHER VIOLET	MM MTP Elite®	16742	16693	HEATHER VIOLET



FERRULE / BOOT KIT SHOWN FOR REFERENCE ONLY, MUST BE PURCHASED SEPARATELY

USCONEC LTD. PROPRIETARY
 THIS DOCUMENT AND THE ASSOCIATED DATA CONTAIN RESTRICTED INFORMATION THAT IS USCONEC LTD. PROPERTY. DISCLOSE OR DUPLICATE FOR OTHERS ONLY AS AUTHORIZED BY USCONEC LTD.

Material: N/A

REV	DATE	DESCRIPTION	ECN
C1	5/2/16	CRIMP RING P/N 16428 W 13092; MALE PIN CLAMP P/N CHG'S: 16741 W 6891; 16742 W 13376; 16743 W 13377; SORTED KIT P/Ns IN NUMERIC ORDER; UPDATED TABLE FORMAT	1915-mm
C	5/5/16	RELEASE	1915-mm
D1	12/6/16	HSG CHG'S: 16007 (GREEN) was MTP-A12-12 (GREEN); 18918 (YELLOW) was MTP-A12-15 (MUSTARD)	1964-mm
D	12/16/16		
E1	12/16/16	ADD'D HEATHER VIOLET P/Ns 18786 & 18787 TO TABLE	
E	2/23/17	RELEASE	2027-mm
	4/3/17	CORRECTED KIT P/N 18787 DESC. AND PERFORMANCE	

CUSTOMER DRAWING

DIMENSIONS FOR REFERENCE ONLY

THIRD ANGLE PROJECTION

METRIC/mm

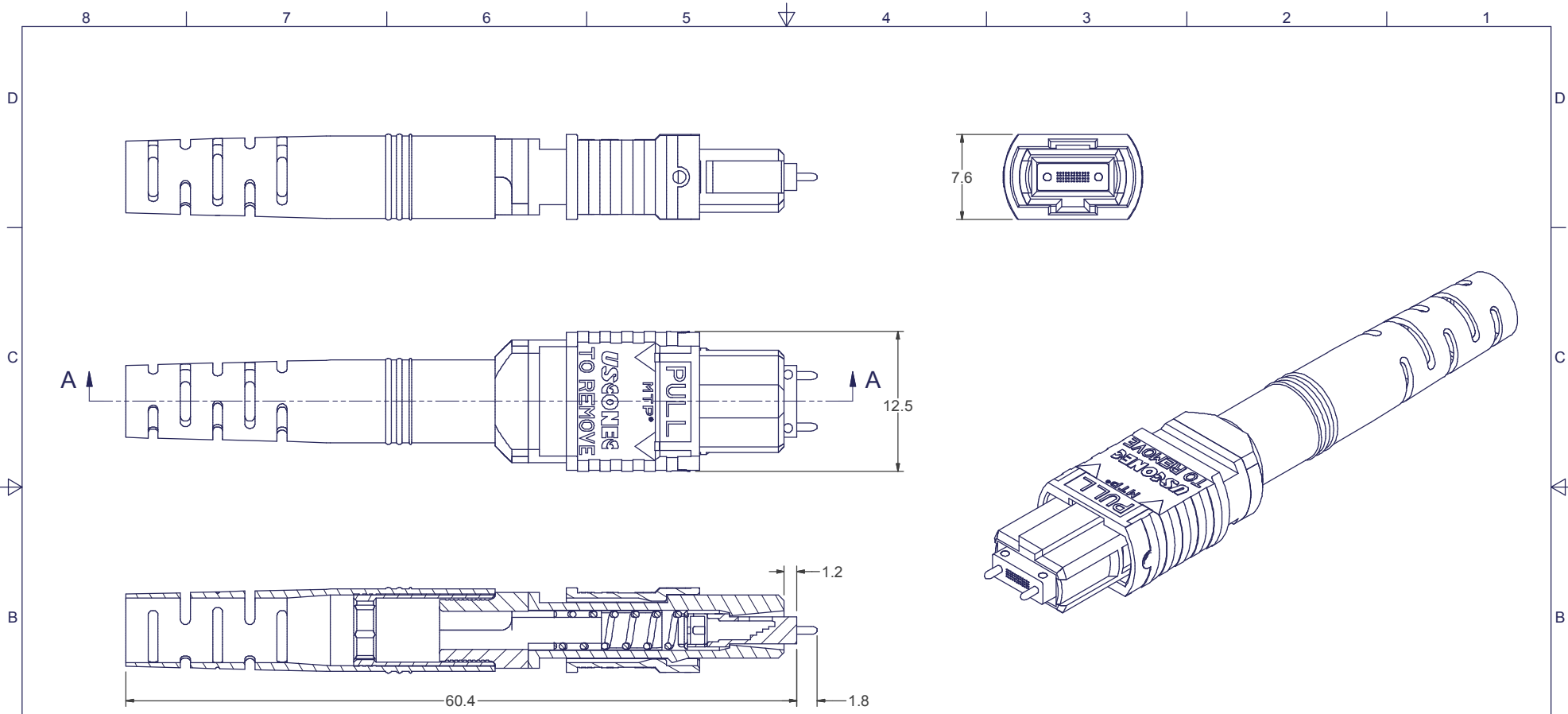
▲ DENOTES CRITICAL DIMENSION

USCONEC Hickory, NC
 800-769-0944
 www.usconec.com

TITLE
KIT, MTP® CONNECTOR, 4.8 - 5.2mm ROUND CABLE

SIZE S&M Part No.: SEE TABLE DWG NO. **C13169** REV E

SCALE N.T.S. Drafter B.THOMPSON Date: 11/18/2010 SHEET 1 OF 2



SECTION A-A

USCONEC LTD. PROPRIETARY
 THIS DOCUMENT AND THE ASSOCIATED DATA CONTAIN RESTRICTED
 INFORMATION THAT IS USCONEC LTD. PROPERTY. DISCLOSE OR DUPLICATE FOR
 OTHERS ONLY AS AUTHORIZED BY USCONEC LTD.

Material: N/A

REV	DATE	DESCRIPTION	ECN
		SEE SHEET 1	

CUSTOMER DRAWING

DIMENSIONS FOR REFERENCE ONLY

THIRD ANGLE PROJECTION

METRIC/mm

▲ DENOTES CRITICAL DIMENSION

USCONEC Hickory, NC
 800-769-0944
 www.usconec.com

TITLE
**KIT, MTP® CONNECTOR,
 4.8 - 5.2mm ROUND CABLE**

SIZE B	S&M Part No.: SEE TABLE	DWG NO. C13169	REV E
SCALE N.T.S.	Drafter B.THOMPSON	Date: 11/18/2010	SHEET 2 OF 2