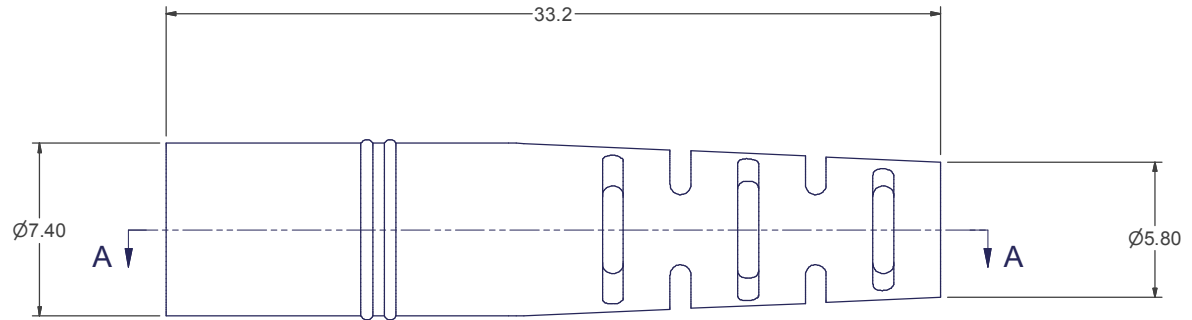
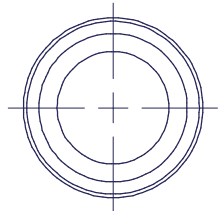


SECTION A-A



NOTES:

- 1. COLOR: BLACK

▲ DENOTES CRITICAL DIMENSION

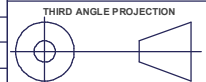
USCONEC LTD. PROPRIETARY
THIS DOCUMENT AND THE ASSOCIATED DATA CONTAIN RESTRICTED INFORMATION THAT IS USCONEC LTD. PROPERTY. DISCLOSE OR DUPLICATE FOR OTHERS ONLY AS AUTHORIZED BY USCONEC LTD.

Material: TPE - MAT'L SPEC #C13710

REV	DATE	DESCRIPTION	ECN
A	4/11/11	INITIAL RELEASE	01272

CUSTOMER DRAWING

DIMENSIONS FOR REFERENCE ONLY



METRIC/mm

USCONEC
Hickory, NC
800-769-0944
www.usconec.com

TITLE
BOOT, ROUND, MTP®, 4.5 mm CABLE

SIZE	S&M Part No.:	DWG NO.	REV
B	13168	C13168	A
SCALE	Drafter	Date:	SHEET
N.T.S.	Hiep Nguyen	11/22/2010	1 OF 1