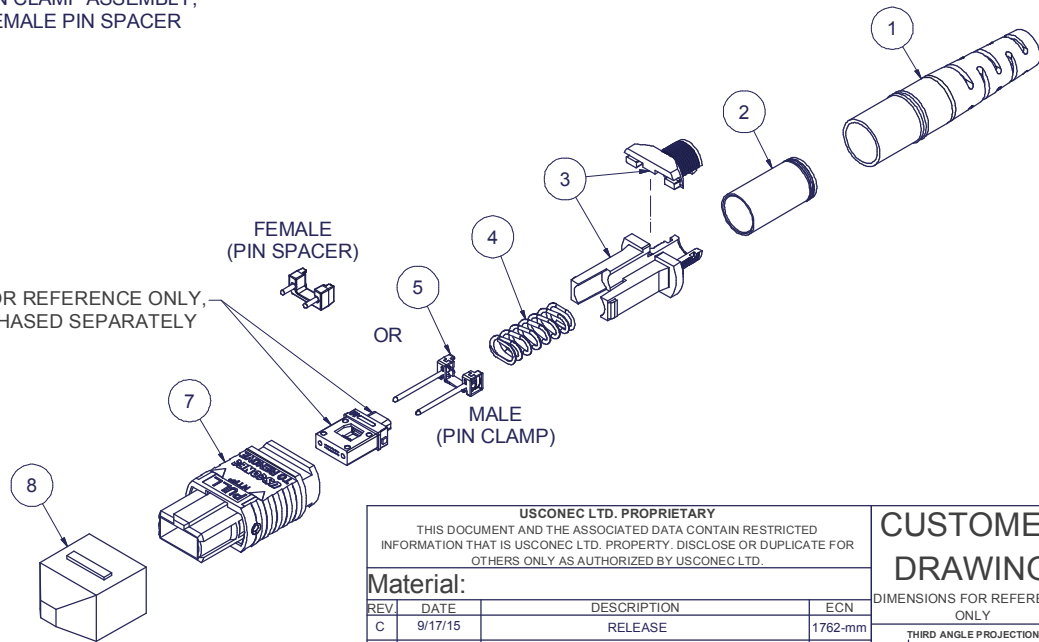


Parts List				
ITEM	DESCRIPTION	PART NUMBER	QTY	NOTES
1	BOOT	13168	1	
2	CRIMP RING	16427	1	
3	SPRING PUSH, 2PC	13030	1	
4	SPRING	14511	1	
5	PIN CLAMP or PIN SPACER	SEE KIT TABLE COLUMN A	1	NOTE 1
7	HOUSING ASSY	SEE KIT TABLE COLUMN B	1	
8	PROTECTIVE CAP	MTP-012-01	1	

NOTES:

1. MALE CONNECTOR KIT HAS PIN CLAMP ASSEMBLY, FEMALE CONNECTOR KIT HAS FEMALE PIN SPACER

KIT P/N	KIT DESCRIPTION	PERFORMANCE	COLUMN A	COLUMN B	
			PIN CLAMP/SPACER P/N	HSG ASSY P/N	HSG ASSY COLOR
13159	KIT, MTP®, FEMALE, MM, 4.5 RND, AQUA	MM or MM MTP Elite®	12918	7871	AQUA
13160	KIT, MTP®, MALE, MM, 4.5 RND, AQUA	MM	16741	7871	AQUA
13161	KIT, MTP®, MALE, MM MTP Elite®, 4.5 RND, AQUA	MM MTP Elite®	16742	7871	AQUA
13162	KIT, MTP®, FEMALE, MM, 4.5 RND, BEIGE	MM	12918	MTP-A12-11	BEIGE
13163	KIT, MTP®, MALE, MM, 4.5 RND, BEIGE	MM	16741	MTP-A12-11	BEIGE
13164	KIT, MTP®, FEMALE, SM, 4.5 RND, GREEN	SM or SM MTP Elite®	12918	16007	GREEN
13165	KIT, MTP®, MALE, SM, 4.5 RND, GREEN	SM	16742	16007	GREEN
13166	KIT, MTP®, FEMALE, SM MTP Elite®, 4.5 RND, YELLOW	SM MTP Elite®	12918	16918	YELLOW
13167	KIT, MTP®, MALE, SM MTP Elite®, 4.5 RND, YELLOW	SM MTP Elite®	16743	16918	YELLOW
15240	KIT, MTP®, MALE, SM MTP Elite®, 4.5 RND, GREEN	SM MTP Elite®	16743	16007	GREEN
16263	KIT, MTP®, FEMALE, MM, 4.5 RND, MAGENTA	MM or MM MTP Elite®	12918	13949	MAGENTA
16500	KIT, MTP®, FEMALE, MM, 4.5 RND, BLACK	MM	12918	MTP-A12-02	BLACK
16501	KIT, MTP®, MALE, MM, 4.5 RND, BLACK	MM	16741	MTP-A12-02	BLACK



FERRULE / BOOT KIT SHOWN FOR REFERENCE ONLY, MUST BE PURCHASED SEPARATELY

FEMALE (PIN SPACER)

OR

MALE (PIN CLAMP)

▲ DENOTES CRITICAL DIMENSION

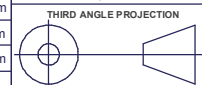
USCONEC LTD. PROPRIETARY
THIS DOCUMENT AND THE ASSOCIATED DATA CONTAIN RESTRICTED INFORMATION THAT IS USCONEC LTD. PROPERTY. DISCLOSE OR DUPLICATE FOR OTHERS ONLY AS AUTHORIZED BY USCONEC LTD.

Material:

REV	DATE	DESCRIPTION	ECN
C	9/17/15	RELEASE	1762-mm
D1	3/14/16	CRIMP RING 16427 W 13091; MALE PIN CLAMP CHGS: 16741 W 689 1; 16742 W 13376; 16743 W 13377	1903-mm
D	4/20/16	RELEASE	1903-mm
E1	12/6/16	HSG CHG'S: 16007 (GREEN) was MTP-A12-12 (GREEN); 16918 (YELLOW) was MTP-A12-15 (MUSTARD)	1964-mm
E	12/16/16	RELEASE	

CUSTOMER DRAWING

DIMENSIONS FOR REFERENCE ONLY



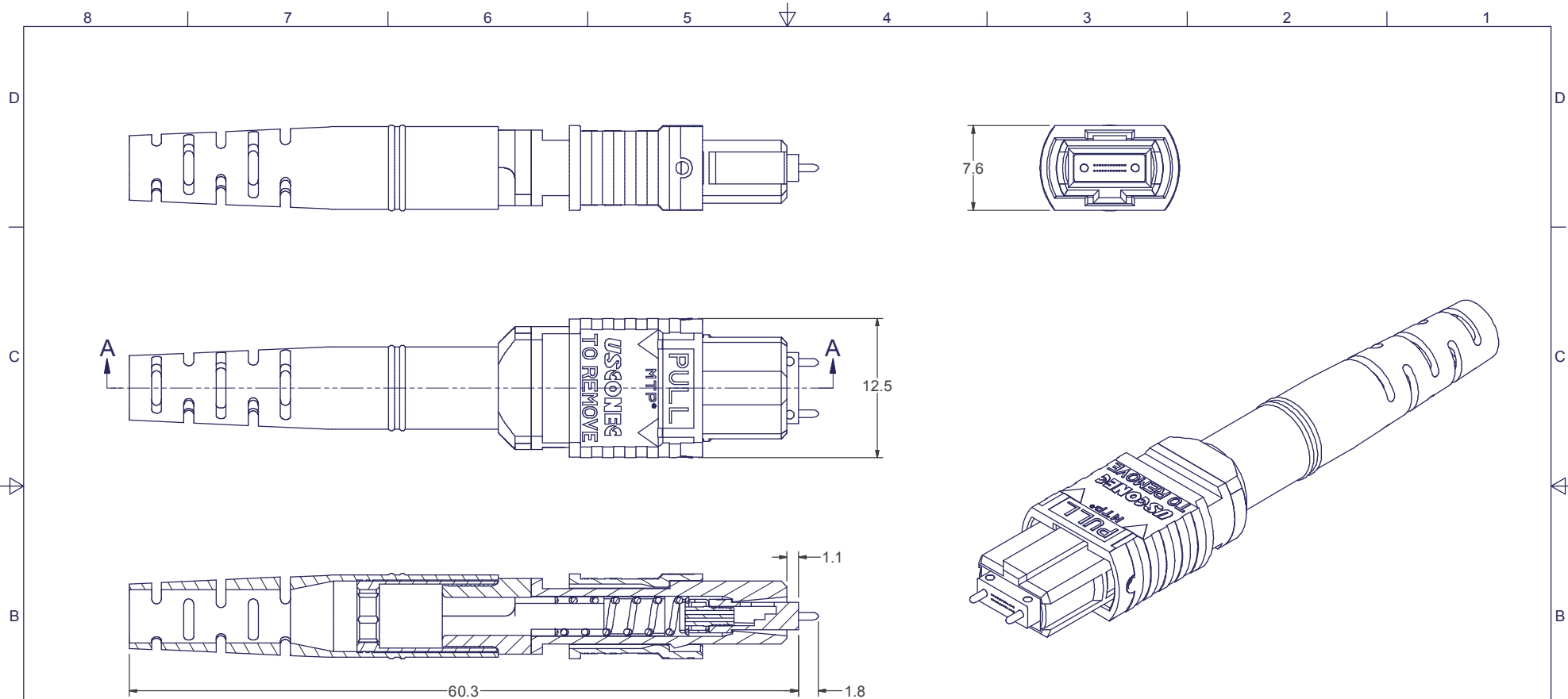
METRIC/mm

USCONEC Hickory, NC
800-769-0944
www.usconec.com

TITLE
KIT, MTP® CONNECTOR,
4.3 - 4.7mm ROUND CABLE

SIZE S&M Part No.: SEE TABLE DWG NO. **C13159** REV E

SCALE N.T.S. Drafter B.THOMPSON Date: 11/15/2010 SHEET 1 OF 2



SECTION A-A

USCONEC LTD. PROPRIETARY
 THIS DOCUMENT AND THE ASSOCIATED DATA CONTAIN RESTRICTED INFORMATION THAT IS USCONEC LTD. PROPERTY. DISCLOSE OR DUPLICATE FOR OTHERS ONLY AS AUTHORIZED BY USCONEC LTD.

Material:

REV	DATE	DESCRIPTION	ECN
		SEE SHEET 1	

CUSTOMER DRAWING

DIMENSIONS FOR REFERENCE ONLY

THIRD ANGLE PROJECTION

METRIC/mm

▲ DENOTES CRITICAL DIMENSION

USCONEC Hickory, NC
 800-769-0944
www.usconec.com

TITLE
 KIT, MTP® CONNECTOR,
 4.3 - 4.7mm ROUND CABLE

SIZE	S&M Part No.:	DWG NO.	REV
B		C13159	E
SCALE	Drafter	Date:	SHEET
N.T.S.	B.THOMPSON	11/15/2010	2 OF 2