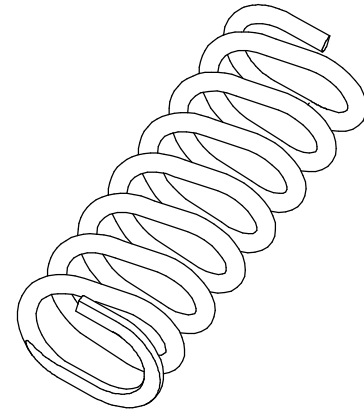
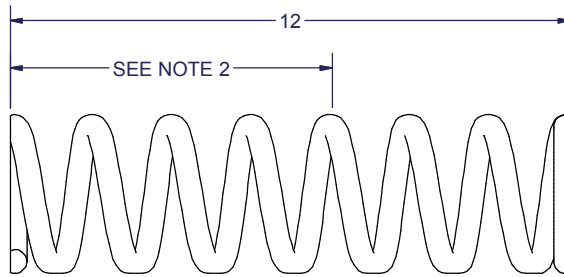
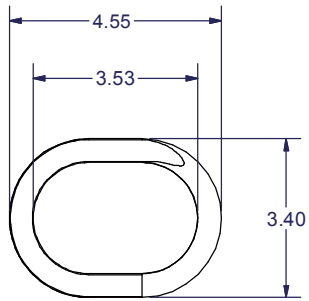


4 3 2 1

B

B



A

A

NOTES:

- 1. SPRING ENDS GROUND.
- 2. WHEN COMPRESSED TO 6.5mm LENGTH, SPRING FORCE = 9.8 NEWTONS.

▲ DENOTES CRITICAL DIMENSION

USCONEC LTD. PROPRIETARY			
THIS DOCUMENT AND THE ASSOCIATED DATA CONTAIN RESTRICTED INFORMATION THAT IS USCONEC LTD. PROPERTY. DISCLOSE OR DUPLICATE FOR OTHERS ONLY AS AUTHORIZED BY USCONEC LTD.			
REV	DATE	DESCRIPTION	ECN
A	7/24/12	INITIAL RELEASE	01479
B1	4/30/15	4.55 was 4.50; ADDED 3.55 DIM.; DEL'D Ø0.50 DIM.; ADDED NOTE 2 & 'SEE NOTE 2' DIM.	1607-my
B	5/13/15	RELEASE	1607-mm
C1	4/7/16	3.53 W 3.55	1916-mm
C	4/26/16	RELEASE	1916-mm

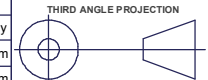
CUSTOMER DRAWING



Hickory, NC
800-769-0944
www.usconec.com

DIMENSIONS FOR REFERENCE ONLY

TITLE
SPRING, STD, OVAL, MTP®, GROUND, 9.8N



METRIC/mm

SIZE	S&M Part No.: B 12904	DWG NO. C12904	REV C
SCALE	N.T.S.	Drafter H. NGUYEN	Date: 7/1/2011

SHEET 1 OF 1

4 3 2 1