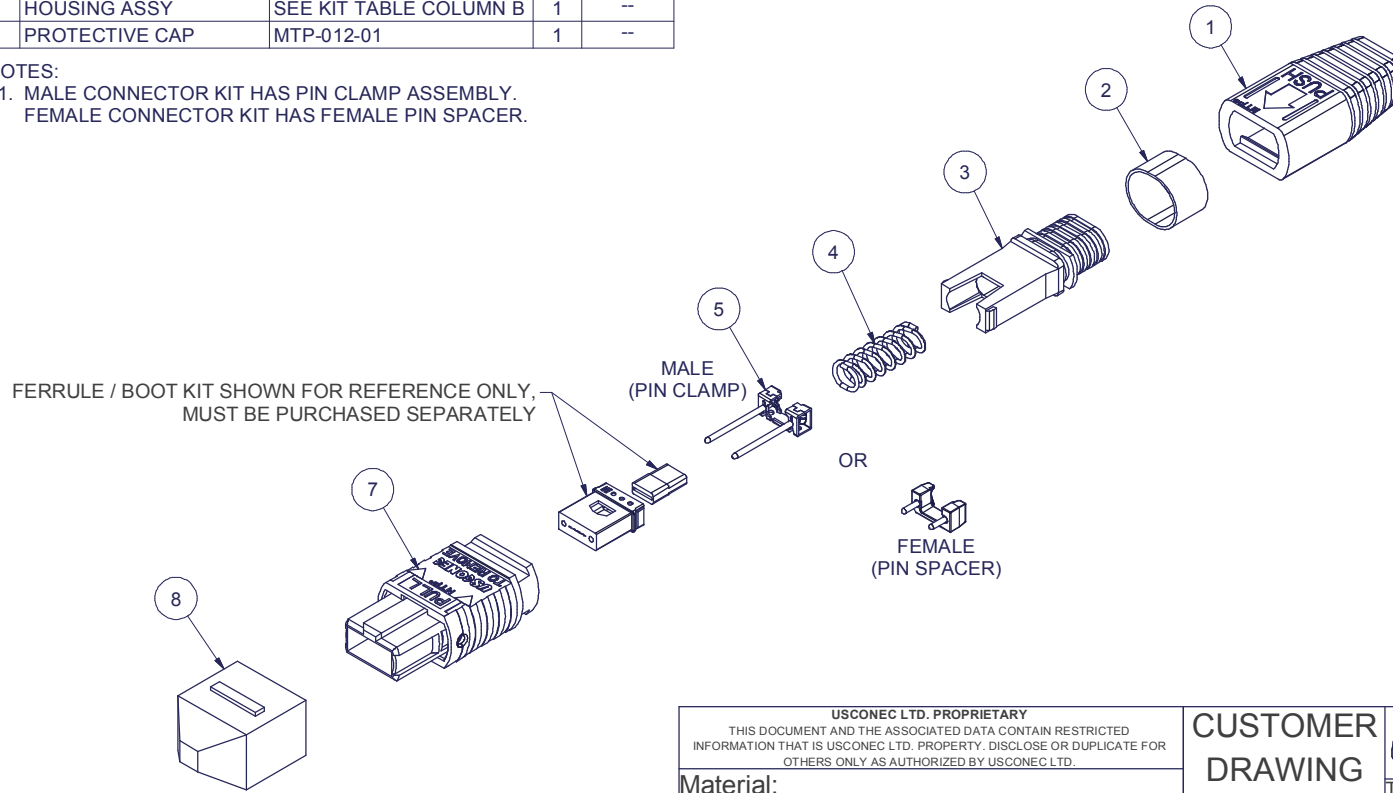


Parts List				
ITEM	DESCRIPTION	PART NUMBER	QTY	NOTES
1	CABLE BOOT, 2X ROUND	9757	1	--
2	CRIMP RING	MTP-A12-05	1	--
3	SPRING PUSH	6106	1	--
4	SPRING	MTP-A12-03	1	--
5	PIN CLAMP or PIN SPACER	SEE KIT TABLE COLUMN A	1	NOTE 1
7	HOUSING ASSY	SEE KIT TABLE COLUMN B	1	--
8	PROTECTIVE CAP	MTP-012-01	1	--

KIT P/N	KIT DESCRIPTION	PERFORMANCE	COLUMN A			COLUMN B		
			PIN CLAMP/SPACER PN	HSG ASSY PN	HSG ASSY COLOR	HSG ASSY PN	HSG ASSY COLOR	
12567	KIT, MTP®, MALE, SM, 2 X Ø3.0mm, GREEN	SM	16740	16007	GREEN			
12568	KIT, MTP®, MALE, SM MTP Elite®, 2 X Ø3.0mm, YELLOW	SM MTP Elite®	16238	16918	YELLOW			
12570	KIT, MTP®, FEMALE, SM, 2 X Ø3.0mm, GREEN	SM or SM MTP Elite®	9386	16007	GREEN			
12571	KIT, MTP®, FEMALE, SM MTP Elite®, 2 X Ø3.0mm, YELLOW	SM MTP Elite®	9386	16918	YELLOW			

NOTES:
 1. MALE CONNECTOR KIT HAS PIN CLAMP ASSEMBLY.
 FEMALE CONNECTOR KIT HAS FEMALE PIN SPACER.



USCONEC LTD. PROPRIETARY
 THIS DOCUMENT AND THE ASSOCIATED DATA CONTAIN RESTRICTED INFORMATION THAT IS USCONEC LTD. PROPERTY. DISCLOSE OR DUPLICATE FOR OTHERS ONLY AS AUTHORIZED BY USCONEC LTD.

Material:

REV	DATE	DESCRIPTION	ECN
E1	4/21/16	UPDATED TABLE & TITLE FORMAT; MALE PIN CLAMP CHG'S: 16740 W 6043, 16238 W 6044	1913-mm
E	5/9/16	RELEASE	1913-mm
F1	11/29/16	HSG ASSY CHG'S: 16918 (YELLOW) was MTP-A12-15 (MUSTARD); 16007 (GREEN) was MTP-A12-12 (GREEN)	1967-mm
F	12/15/16	RELEASE	

▲ DENOTES CRITICAL DIMENSION

CUSTOMER DRAWING

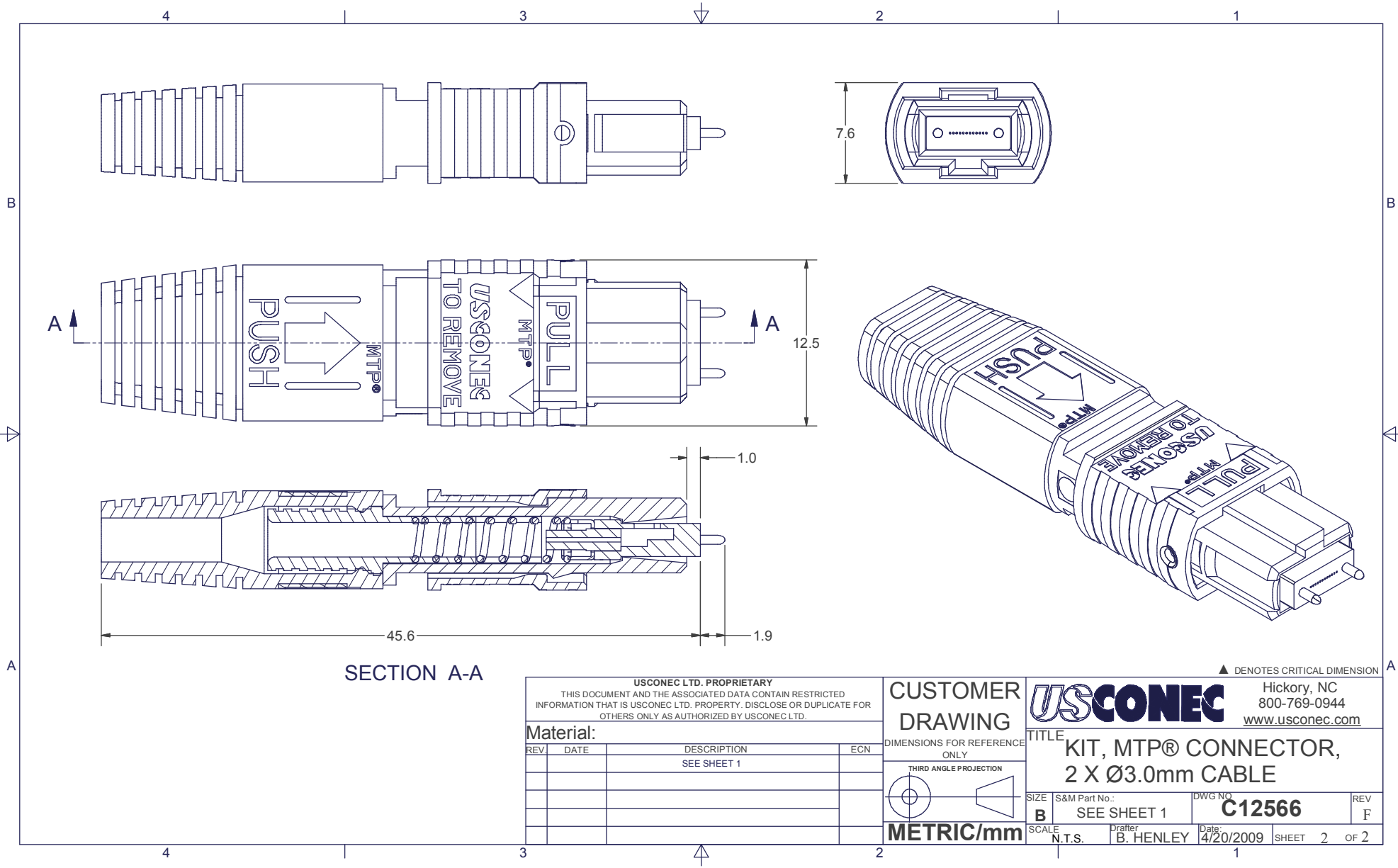
USCONEC Hickory, NC
800-769-0944
www.usconec.com

TITLE
KIT, MTP® CONNECTOR,
2 X Ø3.0mm CABLE

THIRD ANGLE PROJECTION

SCALE: METRIC/mm

SIZE	S&M Part No.:	DWG NO.	REV
B	SEE TABLE	C12566	F
SCALE	Drafter	Date:	SHEET
N.T.S.	B. HENLEY	4/20/2009	1 OF 2




SECTION A-A

USCONEC LTD. PROPRIETARY
 THIS DOCUMENT AND THE ASSOCIATED DATA CONTAIN RESTRICTED INFORMATION THAT IS USCONEC LTD. PROPERTY. DISCLOSE OR DUPLICATE FOR OTHERS ONLY AS AUTHORIZED BY USCONEC LTD.

Material:

REV	DATE	DESCRIPTION	ECN
		SEE SHEET 1	

CUSTOMER DRAWING
 DIMENSIONS FOR REFERENCE ONLY
 THIRD ANGLE PROJECTION

METRIC/mm

USCONEC Hickory, NC
 800-769-0944
www.usconec.com

TITLE
**KIT, MTP® CONNECTOR,
 2 X Ø3.0mm CABLE**

SIZE B	S&M Part No.: SEE SHEET 1	DWG NO. C12566	REV F
SCALE N.T.S.	Drafter B. HENLEY	Date 4/20/2009	SHEET 2 OF 2

▲ DENOTES CRITICAL DIMENSION