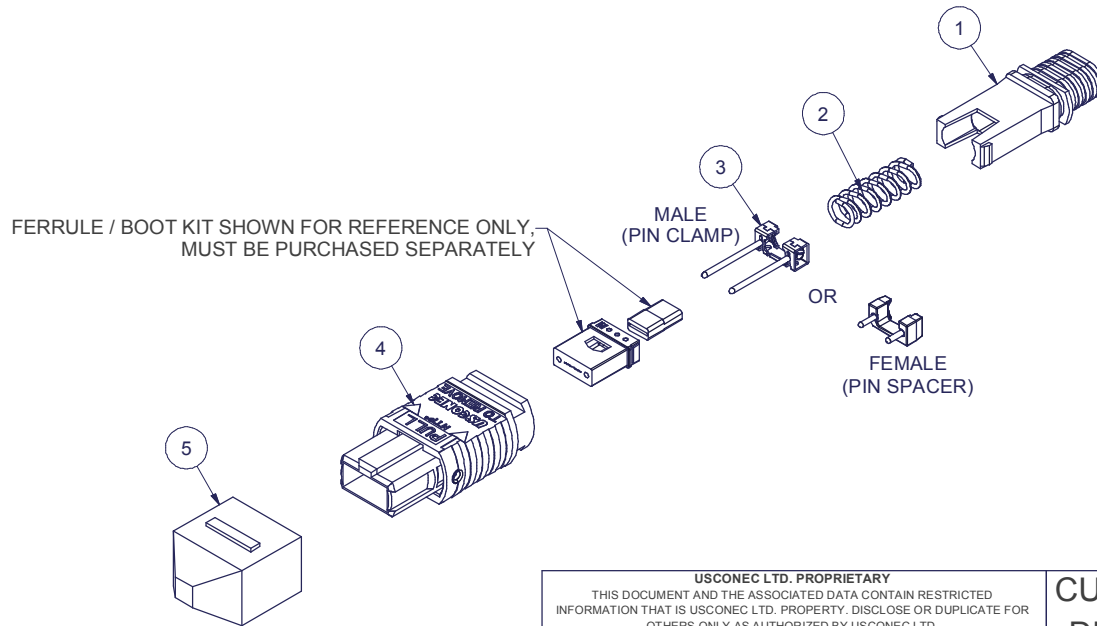


| Parts List | | | | |
|------------|----------------------------|---------------------------|-----|--------|
| ITEM | DESCRIPTION | PART NUMBER | QTY | NOTES |
| 1 | SPRING PUSH | 6106 | 1 | |
| 2 | SPRING | MTP-A12-03 | 1 | -- |
| 3 | PIN CLAMP or PIN SPACER | SEE KIT TABLE COLUMN A | 1 | NOTE 1 |
| 4 | HOUSING ASSY | SEE KIT TABLE COLUMN B | 1 | -- |
| 5 | PROTECTIVE CAP | MTP-012-01 | 1 | -- |

| KIT P/N | KIT DESCRIPTION | PERFORMANCE | COLUMN A | | COLUMN B |
|---------|---|---------------------|----------------------|--------------|----------------|
| | | | PIN CLAMP/SPACER P/N | HSG ASSY P/N | HSG ASSY COLOR |
| 12302 | KIT, MTP®, MALE, MM, NO BOOT/CRIMP, BEIGE | MM | 16739 | MTP-A12-11 | BEIGE |
| 12303 | KIT, MTP®, MALE, SM, NO BOOT/CRIMP, GREEN | SM | 16740 | 16007 | GREEN |
| 12304 | KIT, MTP®, FEMALE, MM, NO BOOT/CRIMP, BEIGE | MM | 9386 | MTP-A12-11 | BEIGE |
| 12305 | KIT, MTP®, FEMALE, SM, NO BOOT/CRIMP, GREEN | SM or SM MTP Elite® | 9386 | 16007 | GREEN |
| 12306 | KIT, MTP®, MALE, MM, NO BOOT/CRIMP, AQUA | MM | 16739 | 7871 | AQUA |
| 12307 | KIT, MTP®, FEMALE, MM, NO BOOT/CRIMP, AQUA | MM or MM MTP Elite® | 9386 | 7871 | AQUA |
| 12628 | KIT, MTP®, MALE, MM MTP Elite®, NO BOOT/CRIMP, AQUA | MM MTP Elite® | 16740 | 7871 | AQUA |
| 15443 | KIT, MTP®, FEMALE, SM MTP Elite®, NO BOOT/CRIMP, YELLOW | SM MTP Elite® | 9386 | 16918 | YELLOW |
| 15444 | KIT, MTP®, MALE, SM MTP Elite®, NO BOOT/CRIMP, YELLOW | SM MTP Elite® | 16238 | 16918 | YELLOW |
| 15813 | KIT, MTP®, MALE, SM MTP Elite®, NO BOOT/CRIMP, GREEN | SM MTP Elite® | 16238 | 16007 | GREEN |

NOTES:

- MALE CONNECTOR KIT HAS PIN CLAMP ASSEMBLY.
FEMALE CONNECTOR KIT HAS FEMALE PIN SPACER.



USCONEC LTD. PROPRIETARY
THIS DOCUMENT AND THE ASSOCIATED DATA CONTAIN RESTRICTED INFORMATION THAT IS USCONEC LTD. PROPERTY. DISCLOSE OR DUPLICATE FOR OTHERS ONLY AS AUTHORIZED BY USCONEC LTD.

Material:

| REV | DATE | DESCRIPTION | ECN |
|-----|----------|--|---------|
| F1 | 4/21/16 | SORTED KIT P/N'S IN NUMERIC ORDER: MALE PIN CLAMP CHG'S: 16739 W 6042, 16740 W 6043 & 16238 W 6044 | 1914-mm |
| F | 5/5/16 | RELEASE | 1914-mm |
| G1 | 11/29/16 | HSG ASSY CHG'S: 16918 (YELLOW) was MTP-A12-15 (MUSTARD); 16007 (GREEN) was MTP-A12-12 (GREEN) | 1967-mm |
| G | 12/15/16 | RELEASE | |

CUSTOMER DRAWING

DIMENSIONS FOR REFERENCE ONLY

THIRD ANGLE PROJECTION

METRIC/mm

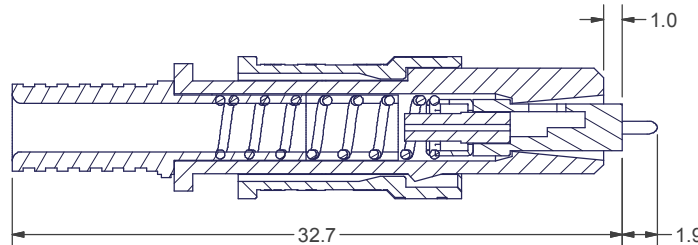
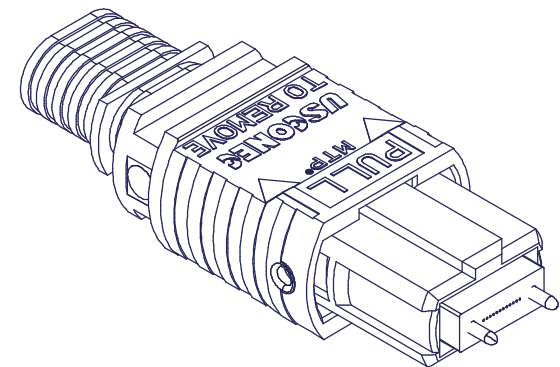
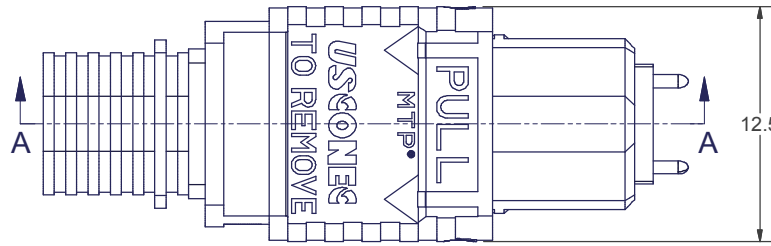
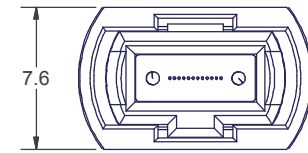
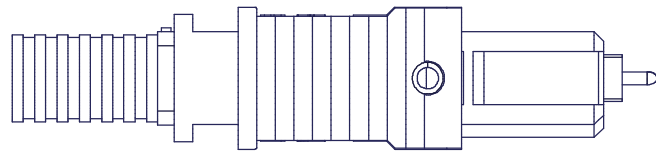
▲ DENOTES CRITICAL DIMENSION

USCONEC
Hickory, NC
800-769-0944
www.usconec.com

TITLE
KIT, MTP® CONNECTOR,
NO BOOT / CRIMP

| | | | |
|----------|---------------|---------------|----------|
| SIZE | S&M Part No.: | DWG NO. | REV |
| B | SEE TABLE | C12302 | G |
| SCALE | Drafter | Date: | |
| N.T.S. | M. YOUNT | 11/17/2009 | |

SHEET 1 OF 2



SECTION A-A

USCONEC LTD. PROPRIETARY
 THIS DOCUMENT AND THE ASSOCIATED DATA CONTAIN RESTRICTED INFORMATION THAT IS USCONEC LTD. PROPERTY. DISCLOSE OR DUPLICATE FOR OTHERS ONLY AS AUTHORIZED BY USCONEC LTD.

Material:

| REV | DATE | DESCRIPTION | ECN |
|-----|------|-------------|-----|
| | | | |
| | | | |
| | | | |
| | | | |

CUSTOMER DRAWING

DIMENSIONS FOR REFERENCE ONLY

THIRD ANGLE PROJECTION

METRIC/mm

▲ DENOTES CRITICAL DIMENSION

USCONEC Hickory, NC
 800-769-0944
www.usconec.com

TITLE
**KIT, MTP® CONNECTOR,
 NO BOOT / CRIMP**

| | | | |
|------------------|----------------------------|--------------------------|--------------|
| SIZE B | S&M Part No.: SEE TABLE | DWG NO. C12302 | REV G |
| SCALE N.T.S. | Drafter M. YOUNT | Date 11/17/2009 | SHEET 2 OF 2 |