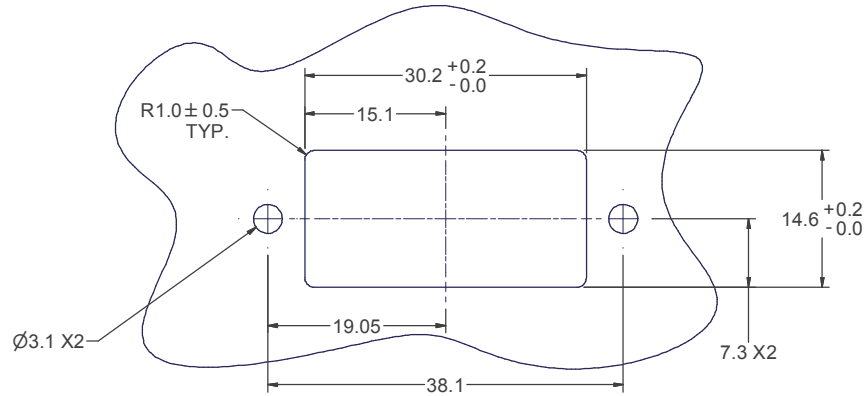
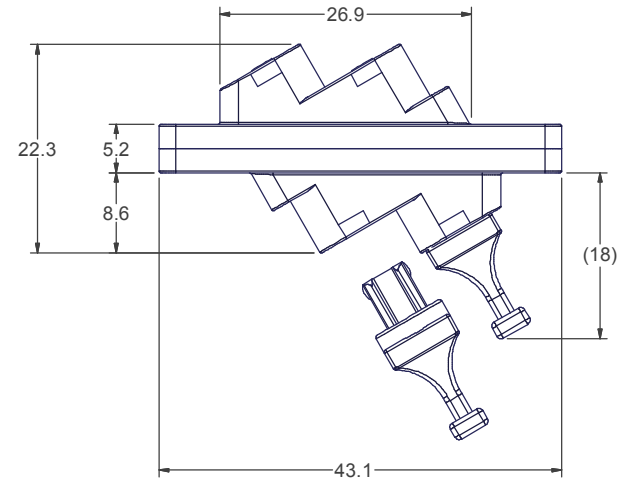
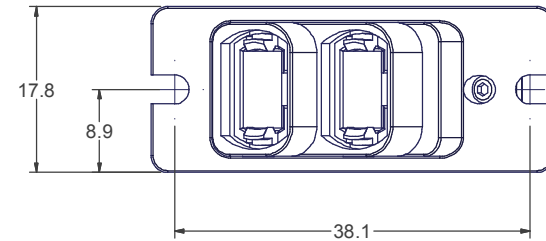
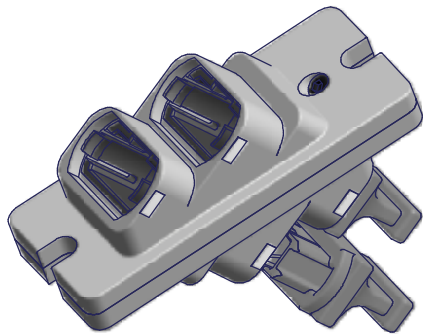


NOTES:

- 1. HOUSING COLOR: BLACK
- 2. MATERIAL:  
HOUSING & INNER ADAPTERS - THERMOPLASTIC  
DUST PLUG: POLYCARBONATE



**RECOMMENDED MOUNTING HOLE**



▲ DENOTES CRITICAL DIMENSION

**USCONEC LTD. PROPRIETARY**  
THIS DOCUMENT AND THE ASSOCIATED DATA CONTAIN RESTRICTED INFORMATION THAT IS USCONEC LTD. PROPERTY. DISCLOSE OR DUPLICATE FOR OTHERS ONLY AS AUTHORIZED BY USCONEC LTD.

**Material:** N/A

REV	DATE	DESCRIPTION	ECN
A	8/14/09	INITIAL RELEASE	01143

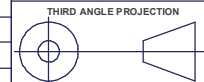
**CUSTOMER DRAWING**



Hickory, NC  
800-769-0944  
[www.usconec.com](http://www.usconec.com)

DIMENSIONS FOR REFERENCE ONLY

**TITLE**  
ADAPTER, DUAL, 30 DEG.



**METRIC/mm**

SIZE	S&M Part No.:	DWG NO.	REV
B	12278	C12278	A
SCALE	Drafter	Date:	SHEET
N.T.S.	H. NGUYEN	12/17/2008	1 OF 1