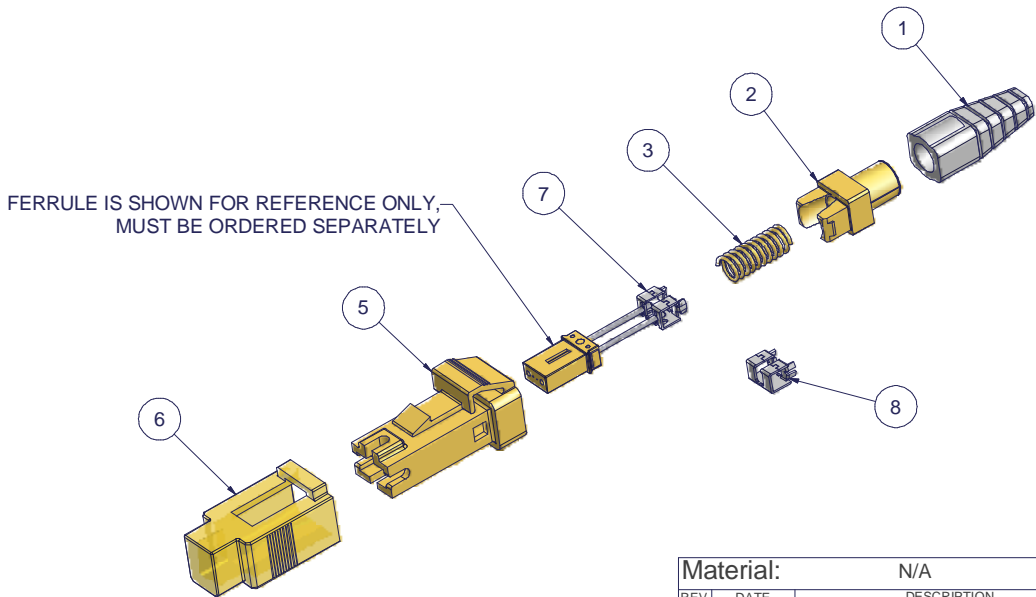


Parts List			
ITEM	DESCRIPTION	QTY	NOTES
1	BOOT, MTRJ, 900um	1	
2	BODY, CRIMP, MTRJ	1	
3	SPRING, MAIN, MTRJ	1	
5	BODY, PLUG, MTRJ	1	
6	DUST CAP, MTRJ	1	
7	PIN CLAMP ASSY., METAL, MTRJ	1	NOTE 1
8	SPACER	1	NOTE 1

KIT P/N	KIT DESCRIPTION	HSG ASSY COLOR
7141	KIT, MT-RJ, FEMALE, MM, 900um	BLACK
7142	KIT, MT-RJ, MALE, MM, 900um	BLACK
7143	KIT, MT-RJ, FEMALE, SM, 900um	BLACK
7144	KIT, MT-RJ, MALE, SM, 900um	BLACK
7217	KIT, MT-RJ, MALE, MM, 900um	BEIGE
7216	KIT, MT-RJ, FEMALE, MM, 900um	BEIGE
7219	KIT, MT-RJ, MALE, SM, 900um	BLUE
7218	KIT, MT-RJ, FEMALE, SM, 900um	BLUE

NOTES:
 1. MALE CONNECTOR KIT HAS PIN CLAMP ASSEMBLY.
 FEMALE CONNECTOR KIT HAS SPACER.



Material:		N/A	
REV.	DATE	DESCRIPTION	ECN
A	5/18/04	RELEASE TO SALES	00540
B	10/13/04	ADDED SHEET 2	00593

CUSTOMER DRAWING

DIMENSIONS FOR REFERENCE ONLY

THIRD ANGLE PROJECTION

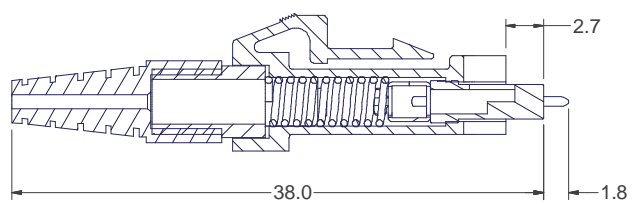
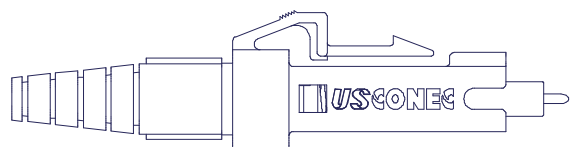
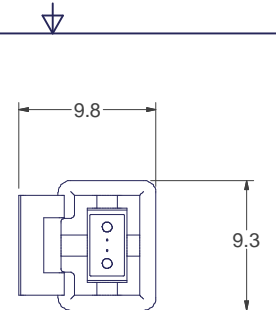
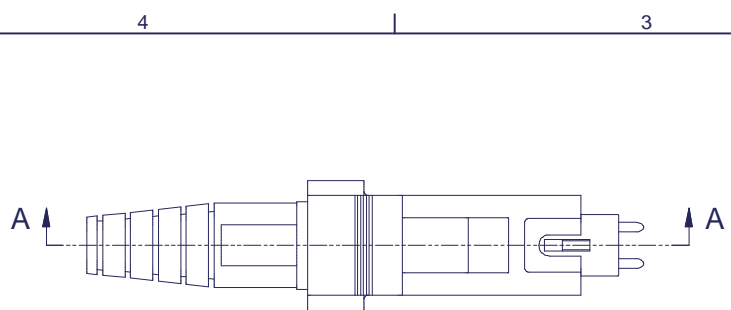
METRIC/mm

▲ DENOTES CRITICAL DIMENSION.

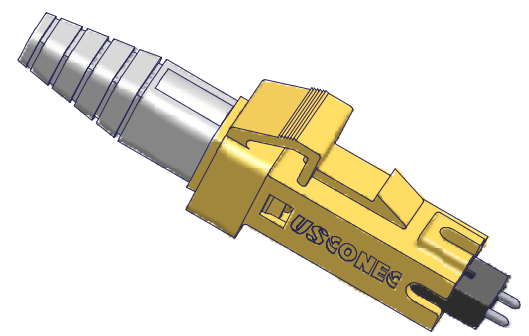
US CONEC Hickory, NC
800-769-0944
www.usconec.com

TITLE
KIT, MT-RJ CONNECTOR.
900um

SIZE B	S&M Part No.: SEE TABLE	DWG NO. C11267	REV B
SCALE N.T.S.	Drafter F. COPE	Date: 5/18/2004	SHEET 1 OF 2



SECTION A-A



Material:

REV.	DATE	DESCRIPTION	ECN

CUSTOMER DRAWING
 DIMENSIONS FOR REFERENCE ONLY
 THIRD ANGLE PROJECTION

METRIC/mm

▲ DENOTES CRITICAL DIMENSION.

US CONE C Hickory, NC
 800-769-0944
www.usconec.com

TITLE
 KIT, MT-RJ CONNECTOR.
 900um

SIZE	S&M Part No.:	DWG NO.	REV
B		C11267	B
SCALE	Drafter	Date:	SHEET
	F. COPE	5/18/2004	2 OF 2