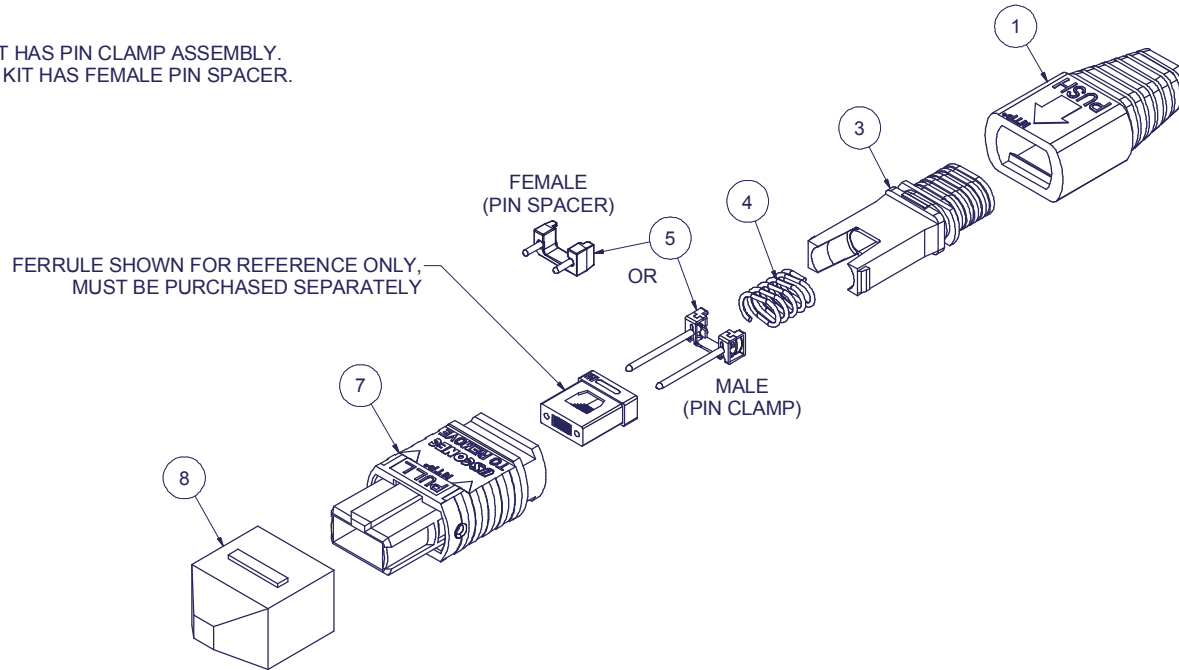


Parts List				
ITEM	DESCRIPTION	PART NUMBER	QTY	NOTES
1	STRAIN RELIEF BOOT	MTP-012-06	1	
3	SPRING PUSH	5551	1	
4	SPRING	12501	1	
5	PIN CLAMP ASSEMBLY	SEE KIT TABLE COLUMN 'A'	1	NOTE 1
7	HOUSING ASSY	SEE KIT TABLE COLUMN 'B'	1	
8	PROTECTIVE CAP	MTP-012-01	1	

KIT P/N	KIT DESCRIPTION	PERFORMANCE	COLUMN 'A' PIN CLAMP P/N	COLUMN 'B' HSG ASSY P/N	HSG ASSY COLOR
5837	KIT, MTP®, MALE, MM, BEIGE, HFC	MM	16741	MTP-A12-11	BEIGE
5838	KIT, MTP®, FEMALE, MM, BEIGE, HFC	MM	12918	MTP-A12-11	BEIGE

NOTES:
 1. MALE CONNECTOR KIT HAS PIN CLAMP ASSEMBLY.
 FEMALE CONNECTOR KIT HAS FEMALE PIN SPACER.



USCONEC LTD. PROPRIETARY
 THIS DOCUMENT AND THE ASSOCIATED DATA CONTAIN RESTRICTED INFORMATION THAT IS USCONEC LTD. PROPERTY. DISCLOSE OR DUPLICATE FOR OTHERS ONLY AS AUTHORIZED BY USCONEC LTD.

Material: N/A

REV	DATE	DESCRIPTION	ECN
E	9/19/11	RELEASE	01293
F1	11/18/15	REMOVED ITEM #2; ITEM# 4 PIN 12501 was Y0367; ADD'D PERFORMANCE COLUMN TO TABLE	1855-mm
F	11/19/15	RELEASE	1855-mm
G1	4/18/16	MALE PIN CLAMP 16741 W 6891; CORRECTED HSG KEY ORIENTATION	1895-mm
G	5/5/16	RELEASE	1895-mm

CUSTOMER DRAWING

USCONEC
 Hickory, NC
 800-769-0944
 www.usconec.com

THIRD ANGLE PROJECTION

METRIC/mm

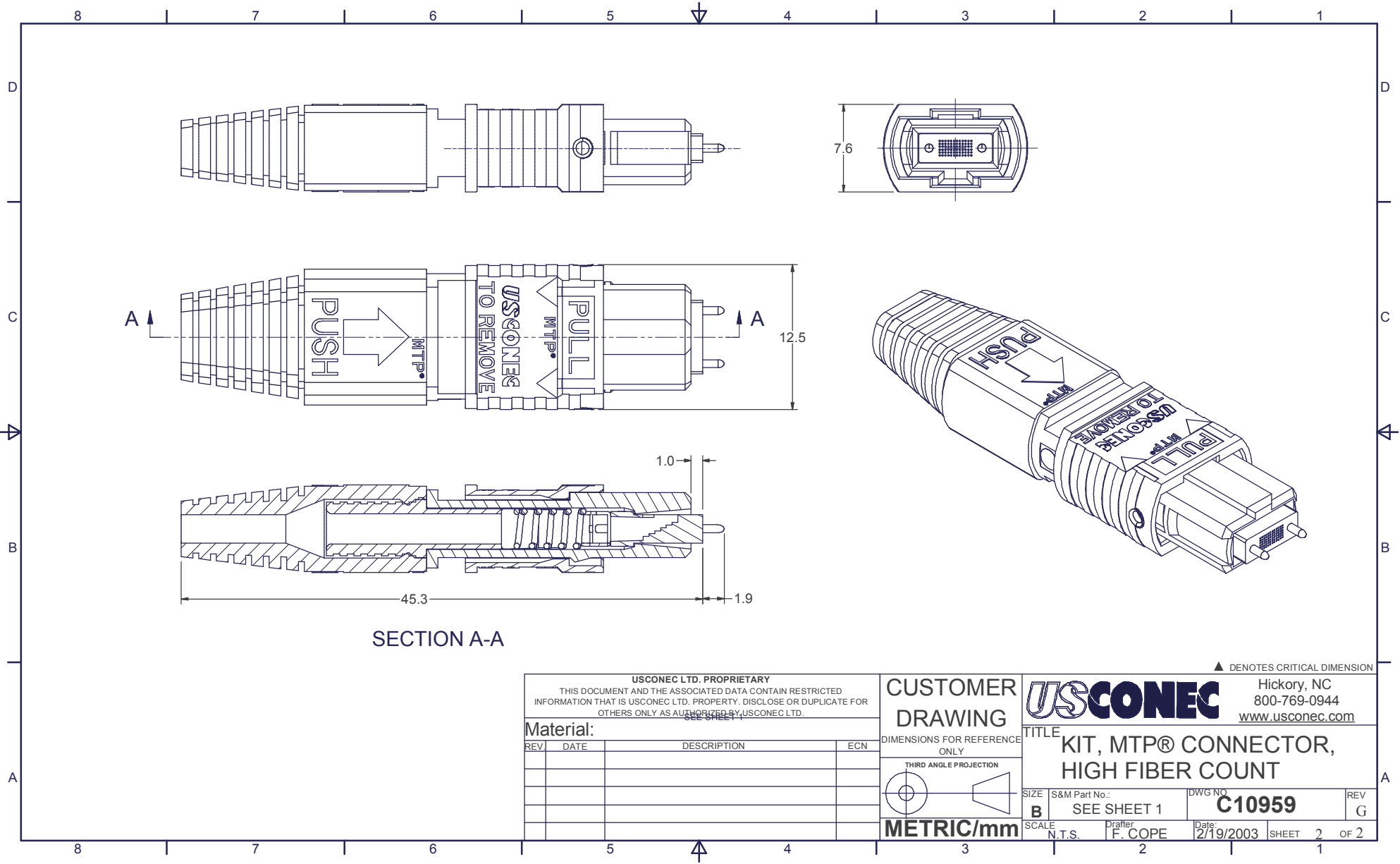
▲ DENOTES CRITICAL DIMENSION

USCONEC

Hickory, NC
 800-769-0944
 www.usconec.com

TITLE
**KIT, MTP® CONNECTOR,
 HIGH FIBER COUNT**

SIZE	S&M Part No.:	DWG NO.	REV
B	SEE TABLE	C10959	G
SCALE	Drafter	Date:	SHEET
N.T.S.	F. COPE	2/19/2003	1 OF 2

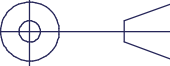


SECTION A-A

USCONEC LTD. PROPRIETARY
 THIS DOCUMENT AND THE ASSOCIATED DATA CONTAIN RESTRICTED INFORMATION THAT IS USCONEC LTD. PROPERTY. DISCLOSE OR DUPLICATE FOR OTHERS ONLY AS AUTHORIZED BY USCONEC LTD.

Material:

REV	DATE	DESCRIPTION	ECN

CUSTOMER DRAWING
 DIMENSIONS FOR REFERENCE ONLY
 THIRD ANGLE PROJECTION

METRIC/mm

▲ DENOTES CRITICAL DIMENSION

USCONEC Hickory, NC
 800-769-0944
www.usconec.com

TITLE
KIT, MTP® CONNECTOR, HIGH FIBER COUNT

SIZE B	S&M Part No.: SEE SHEET 1	DWG NO. C10959	REV G
SCALE N.T.S.	Drafter F. COPE	Date: 2/19/2003	SHEET 2 OF 2