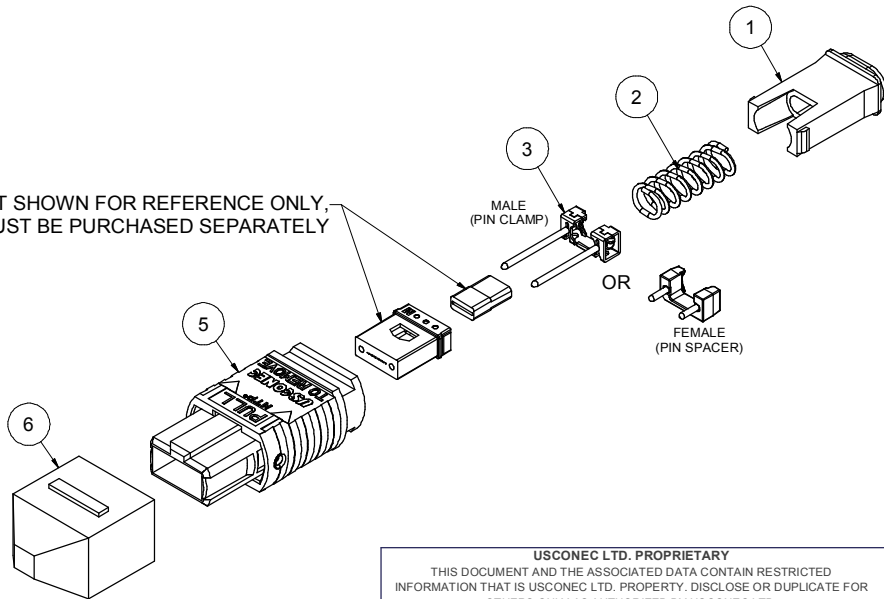


Parts List				
ITEM	DESCRIPTION	PART NUMBER	QTY	NOTES
1	SHORT SPRING PUSH	5697	1	-
2	SPRING	MTP-A12-03	1	-
3	PIN CLAMP or PIN SPACER	SEE KIT TABLE COLUMN A	1	NOTE 1
5	HOUSING ASSY	SEE KIT TABLE COLUMN B	1	-
6	PROTECTIVE CAP	MTP-012-01	1	-

NOTES:
 1. MALE CONNECTOR KIT HAS PIN CLAMP ASSEMBLY.
 FEMALE CONNECTOR KIT HAS FEMALE PIN SPACER.

KIT P/N	KIT DESCRIPTION	PERFORMANCE	COLUMN A		COLUMN B	
			PIN CLAMP/SPACER P/N	HSG ASSY P/N	HSG ASSY COLOR	
6241	KIT, MTP®, FEMALE, MM, SHORT, BEIGE	MM	9386	MTP-A12-11	BEIGE	
6242	KIT, MTP®, MALE, MM, SHORT, BEIGE	MM	16739	MTP-A12-11	BEIGE	
6252	KIT, MTP®, FEMALE, SM, SHORT, GREEN	SM or SM MTP Elite®	9386	16007	GREEN	
6253	KIT, MTP®, MALE, SM, SHORT, GREEN	SM	16740	16007	GREEN	
6261	KIT, MTP®, FEMALE, SM MTP Elite®, SHORT, YELLOW	SM MTP Elite®	9386	16918	YELLOW	
6262	KIT, MTP®, MALE, SM MTP Elite®, SHORT, YELLOW	SM MTP Elite®	16238	16918	YELLOW	
6269	KIT, MTP®, FEMALE, MM, SHORT, BLACK	MM	9386	MTP-A12-02	BLACK	
6270	KIT, MTP®, MALE, MM, SHORT, BLACK	MM	16739	MTP-A12-02	BLACK	
8819	KIT, MTP®, FEMALE, MM, SHORT, AQUA	MM or MM MTP Elite®	9386	7871	AQUA	
8820	KIT, MTP®, MALE, MM, SHORT, AQUA	MM	16739	7871	AQUA	
12717	KIT, MTP®, MALE, MM MTP Elite®, SHORT, AQUA	MM MTP Elite®	16740	7871	AQUA	
17168	KIT, MTP®, FEMALE, MM, SHORT, HEATHER VIOLET	MM or MM MTP Elite®	9386	16693	HEATHER VIOLET	
17169	KIT, MTP®, MALE, MM MTP Elite®, SHORT, HEATHER VIOLET	MM MTP Elite®	16740	16693	HEATHER VIOLET	

FERRULE / BOOT KIT SHOWN FOR REFERENCE ONLY,
 MUST BE PURCHASED SEPARATELY



USCONEC LTD. PROPRIETARY
 THIS DOCUMENT AND THE ASSOCIATED DATA CONTAIN RESTRICTED INFORMATION THAT IS USCONEC LTD. PROPERTY. DISCLOSE OR DUPLICATE FOR OTHERS ONLY AS AUTHORIZED BY USCONEC LTD.

Material:

REV	DATE	DESCRIPTION	ECN
G	12/2/15	RELEASE	1858-mm
H1	4/21/16	SORTED KIT P/N'S IN NUMERIC ORDER: MALE PIN CLAMP CHG'S: 16739 W 6042, 16740 W 6043 & 16238 W 6044; SHT 2; DEL DIM 25.1; ADD DIM 26.1	1914-mm
H	5/5/16	RELEASE	1914-mm
I1	11/29/16	HSG ASSY CHG'S: 16918 (YELLOW) was MTP-A12-15 (MUSTARD); 16007 (GREEN) was MTP-A12-12 (GREEN)	1967-mm
I	12/15/16	RELEASE	

CUSTOMER DRAWING

DIMENSIONS FOR REFERENCE ONLY

THIRD ANGLE PROJECTION

METRIC/mm

▲ DENOTES CRITICAL DIMENSION

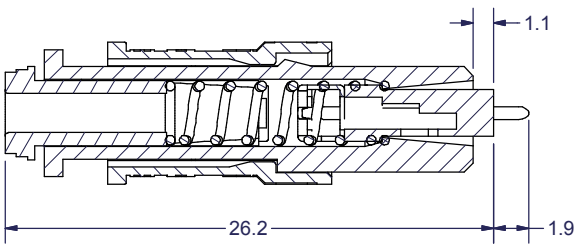
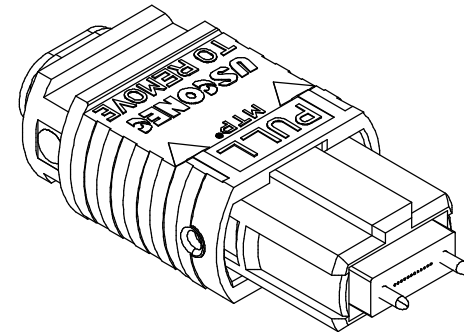
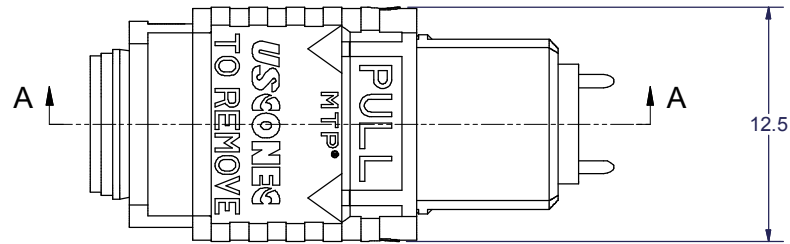
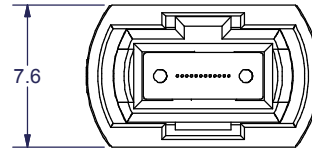
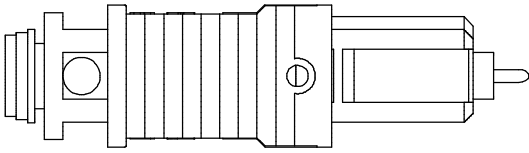
USCONEC Hickory, NC
 800-769-0944
www.usconec.com

TITLE
KIT, MTP® CONNECTOR, SHORT

SIZE S&M Part No.:
B SEE TABLE

DWG NO. **C10823** REV **I**

SCALE N.T.S. Drafter **F. COPE** Date: **7/17/2002** SHEET **1** OF **2**



SECTION A-A

USCONEC LTD. PROPRIETARY
THIS DOCUMENT AND THE ASSOCIATED DATA CONTAIN RESTRICTED INFORMATION THAT IS USCONEC LTD. PROPERTY. DISCLOSE OR DUPLICATE FOR OTHERS ONLY AS AUTHORIZED BY USCONEC LTD.

Material:

REV	DATE	DESCRIPTION	ECN
		SEE SHEET 1	

CUSTOMER DRAWING

DIMENSIONS FOR REFERENCE ONLY

THIRD ANGLE PROJECTION



METRIC/mm



Hickory, NC
800-769-0944
www.usconec.com

TITLE
KIT, MTP® CONNECTOR, SHORT

SIZE	S&M Part No.:	DWG NO.	REV
B	SEE TABLE, SH. 1	C10823	I
SCALE	Drafter	Date:	SHEET
N.T.S.	F. COPE	7/17/2002	2 OF 2

▲ DENOTES CRITICAL DIMENSION