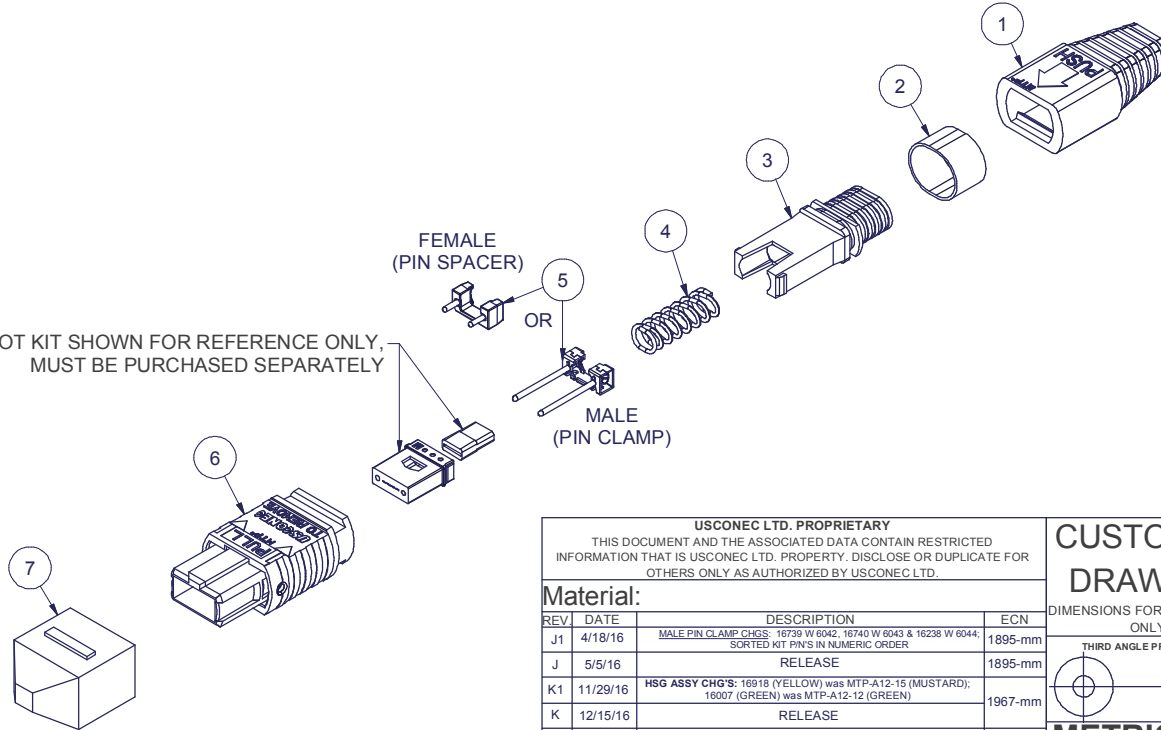


Parts List					KIT P/N		KIT DESCRIPTION		PERFORMANCE	COLUMN A	COLUMN B	HSG ASSY COLOR
1	STRAIN RELIEF BOOT	MTP-012-06	1	--	6237	KIT, MTP®, FEMALE, MM, OVAL, JACKETED RIBBON, BEIGE		MM	9386	MTP-A12-11	BEIGE	
2	CRIMP RING	MTP-A12-05	1	--	6238	KIT, MTP®, MALE, MM, OVAL, JACKETED RIBBON, BEIGE		MM	16739	MTP-A12-11	BEIGE	
3	SPRING PUSH	6106	1	--	6248	KIT, MTP®, FEMALE, SM, OVAL, JACKETED RIBBON, GREEN	SM or SM MTP Elite®		9386	16007	GREEN	
4	SPRING	MTP-A12-03	1	--	6249	KIT, MTP®, MALE, SM, OVAL, JACKETED RIBBON, GREEN	SM		16740	16007	GREEN	
5	PIN CLAMP or PIN SPACER	SEE KIT TABLE COLUMN A	1	NOTE 1	6257	KIT, MTP®, FEMALE, SM MTP Elite®, OVAL, JACKETED RIBBON, YELLOW	SM MTP Elite®		9386	16918	YELLOW	
6	HOUSING ASSY	SEE KIT TABLE COLUMN B	1	--	6258	KIT, MTP®, MALE, SM MTP Elite®, OVAL, JACKETED RIBBON, YELLOW	SM MTP Elite®		16238	16918	YELLOW	
7	PROTECTIVE CAP	MTP-012-01	1	--	6265	KIT, MTP®, FEMALE, MM, OVAL, JACKETED RIBBON, BLACK	MM		9386	MTP-A12-02	BLACK	
					6266	KIT, MTP®, MALE, MM, OVAL, JACKETED RIBBON, BLACK	MM		16739	MTP-A12-02	BLACK	
					7927	KIT, MTP®, MALE, MM, OVAL, JACKETED RIBBON, AQUA	MM		16739	7871	AQUA	
					7928	KIT, MTP®, FEMALE, MM, OVAL, JACKETED RIBBON, AQUA	MM or MM MTP Elite®		9386	7871	AQUA	
					12514	KIT, MTP®, MALE, MM MTP Elite®, OVAL, JACKETED RIBBON, AQUA	MM MTP Elite®		16740	7871	AQUA	
					15239	KIT, MTP®, MALE, SM MTP Elite®, OVAL, JACKETED RIBBON, GREEN	SM MTP Elite®		16238	16007	GREEN	
					15341	KIT, MTP®, FEMALE, MM, OVAL, JACKETED RIBBON, MAGENTA	MM or MM MTP Elite®		9386	13949	MAGENTA	
					15342	KIT, MTP®, MALE, MM MTP Elite®, OVAL, JACKETED RIBBON, MAGENTA	MM MTP Elite®		16740	13949	MAGENTA	
					15611	KIT, MTP®, MALE, MM, OVAL, JACKETED RIBBON, MAGENTA	MM		16739	13949	MAGENTA	
					17094	KIT, MTP®, FEMALE, MM, OVAL, JACKETED RIBBON, HEATHER VIOLET	MM or MM MTP Elite®		9386	16693	HEATHER VIOLET	
					17095	KIT, MTP®, MALE, MM MTP Elite®, OVAL, JACKETED RIBBON, HEATHER VIOLET	MM MTP Elite®		16740	16693	HEATHER VIOLET	

NOTES:

- 1. MALE CONNECTOR KIT HAS PIN CLAMP ASSEMBLY. FEMALE CONNECTOR KIT HAS FEMALE PIN SPACER.

FERRULE / BOOT KIT SHOWN FOR REFERENCE ONLY, MUST BE PURCHASED SEPARATELY



USCONEC LTD. PROPRIETARY
THIS DOCUMENT AND THE ASSOCIATED DATA CONTAIN RESTRICTED INFORMATION THAT IS USCONEC LTD. PROPERTY. DISCLOSE OR DUPLICATE FOR OTHERS ONLY AS AUTHORIZED BY USCONEC LTD.

REV	DATE	DESCRIPTION	ECN
J1	4/18/16	MALE PIN CLAMP CHGS: 16739 W 6042, 16740 W 6043 & 16238 W 6044; SORTED KIT PIN'S IN NUMERIC ORDER	1895-mm
J	5/5/16	RELEASE	1895-mm
K1	11/29/16	HSG ASSY CHG'S: 16918 (YELLOW) WAS MTP-A12-15 (MUSTARD); 16007 (GREEN) WAS MTP-A12-12 (GREEN)	1967-mm
K	12/15/16	RELEASE	

CUSTOMER DRAWING

DIMENSIONS FOR REFERENCE ONLY

THIRD ANGLE PROJECTION

METRIC/mm

▲ DENOTES CRITICAL DIMENSION

USCONEC Hickory, NC
800-769-0944
www.usconec.com

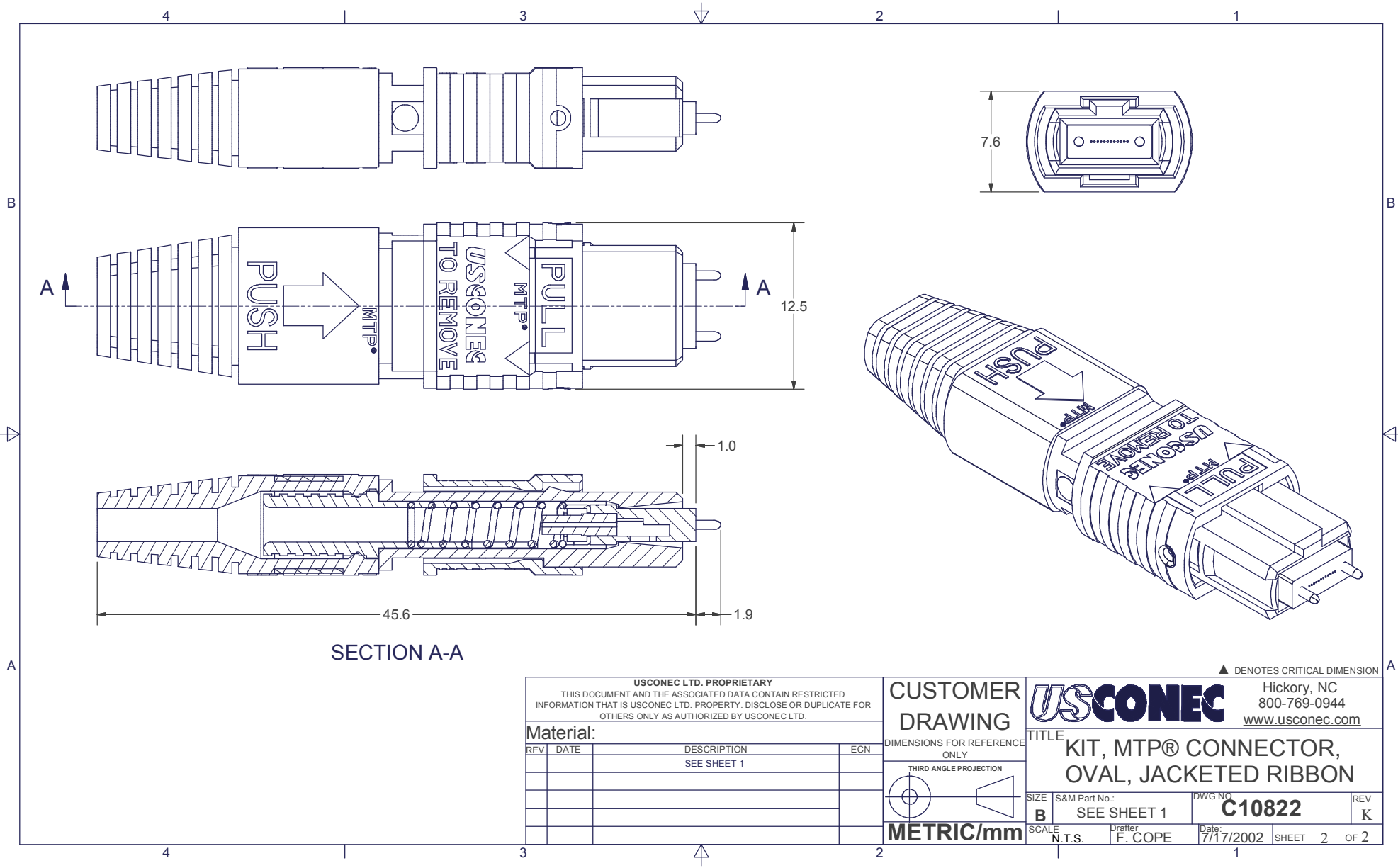
TITLE
KIT, MTP® CONNECTOR, OVAL, JACKETED RIBBON

SIZE S&M Part No.:
B SEE TABLE

DWG NO.
C10822

REV
K


SCALE N.T.S. Drafter F. COPE Date: 7/17/2002 SHEET 1 OF 2



USCONEC LTD. PROPRIETARY
 THIS DOCUMENT AND THE ASSOCIATED DATA CONTAIN RESTRICTED INFORMATION THAT IS USCONEC LTD. PROPERTY. DISCLOSE OR DUPLICATE FOR OTHERS ONLY AS AUTHORIZED BY USCONEC LTD.

Material:

REV	DATE	DESCRIPTION	ECN
		SEE SHEET 1	

CUSTOMER DRAWING
 DIMENSIONS FOR REFERENCE ONLY
 THIRD ANGLE PROJECTION

METRIC/mm

USCONEC Hickory, NC
 800-769-0944
www.usconec.com

TITLE
 KIT, MTP® CONNECTOR, OVAL, JACKETED RIBBON

SIZE B	S&M Part No.: SEE SHEET 1	DWG NO. C10822	REV K
SCALE N.T.S.	Drafter F. COPE	Date: 7/17/2002	SHEET 2 OF 2

▲ DENOTES CRITICAL DIMENSION