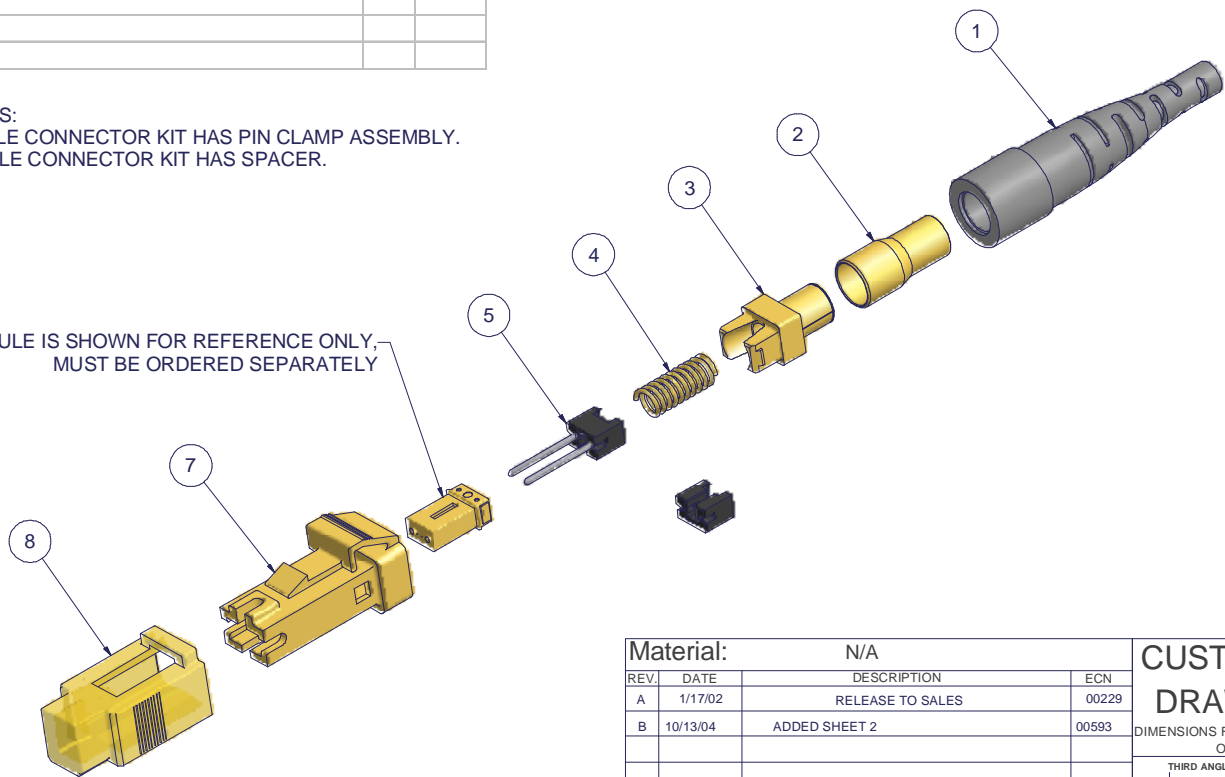


Parts List				KIT P/N	KIT DESCRIPTION	HSG. ASSY. COLOR
ITEM	DESCRIPTION	QTY	NOTES			
1	BOOT, MTRJ	1		MTRJ-S-F-MM	KIT, MT-RJ, FEMALE, MM	BLACK
2	CRIMP BAND, MTRJ	1		MTRJ-S-M-MM	KIT, MT-RJ, MALE, MM	BLACK
3	BODY, CRIMP, MTRJ	1		MTRJ-S-F-SM	KIT, MT-RJ, FEMALE, SM	BLACK
4	SPRING, MAIN, MTRJ	1		MTRJ-S-M-SM	KIT, MT-RJ, MALE, SM	BLACK
5	PIN CLAMP ASSY, MTRJ	1	NOTE 1	5847	KIT, MT-RJ, MALE, MM	BEIGE
7	BODY, PLUG, MTRJ	1		5849	KIT, MT-RJ, FEMALE, MM	BEIGE
8	DUST CAP, MTRJ	1		5846	KIT, MT-RJ, MALE, SM	BLUE
				5848	KIT, MT-RJ, FEMALE, SM	BLUE

NOTES:
 1. MALE CONNECTOR KIT HAS PIN CLAMP ASSEMBLY.
 FEMALE CONNECTOR KIT HAS SPACER.

FERRULE IS SHOWN FOR REFERENCE ONLY,
 MUST BE ORDERED SEPARATELY



REV.	DATE	DESCRIPTION	ECN
A	1/17/02	RELEASE TO SALES	00229
B	10/13/04	ADDED SHEET 2	00593

CUSTOMER DRAWING

DIMENSIONS FOR REFERENCE ONLY

THIRD ANGLE PROJECTION

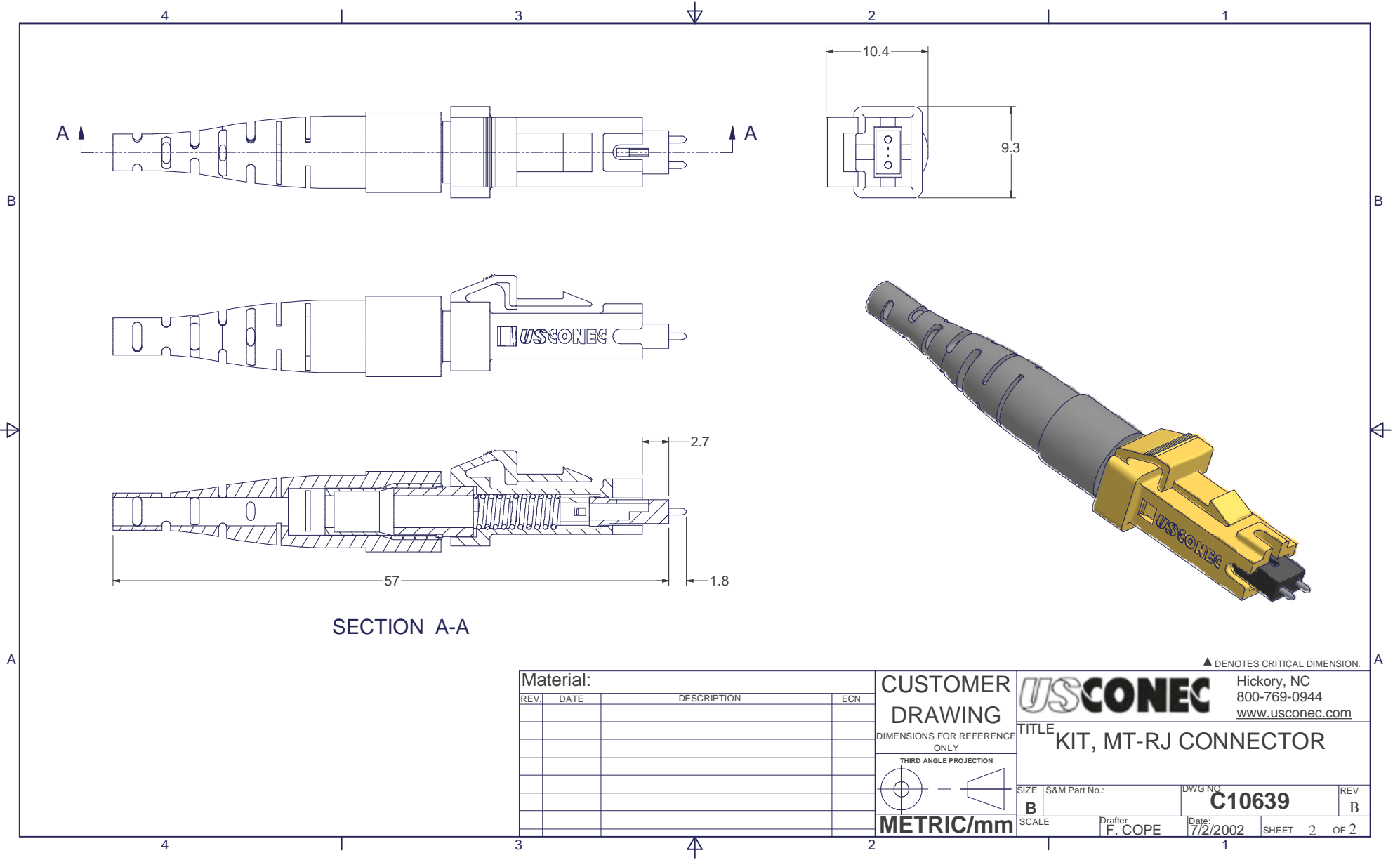
METRIC/mm

▲ DENOTES CRITICAL DIMENSION.

US CONE C Hickory, NC
 800-769-0944
www.usconec.com

TITLE: **KIT, MT-RJ CONNECTOR**

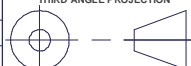
SIZE: B	S&M Part No.: SEE TABLE	DWG NO: C10639	REV: B
SCALE: NTS	Drafter: F. COPE	Date: 7/2/2002	SHEET 1 OF 2



SECTION A-A

Material:

REV.	DATE	DESCRIPTION	ECN

CUSTOMER DRAWING
 DIMENSIONS FOR REFERENCE ONLY
 THIRD ANGLE PROJECTION

METRIC/mm

▲ DENOTES CRITICAL DIMENSION.

USCONEC Hickory, NC
 800-769-0944
www.usconec.com

TITLE
 KIT, MT-RJ CONNECTOR

SIZE B	S&M Part No.:	DWG NO. C10639	REV B
SCALE	Drafter F. COPE	Date: 7/2/2002	SHEET 2 OF 2