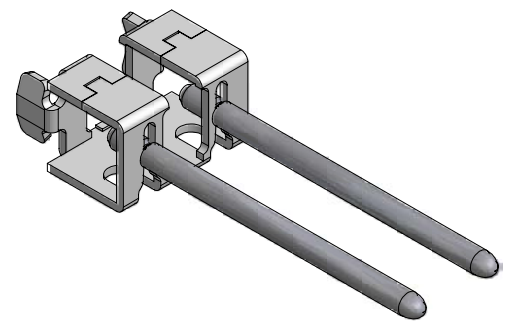
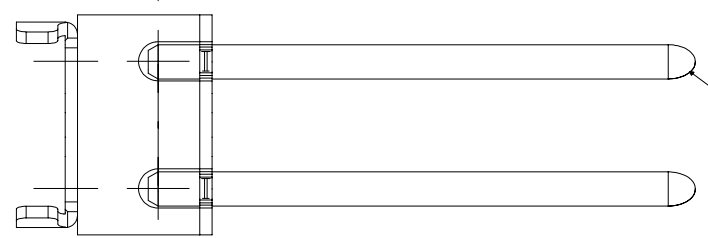
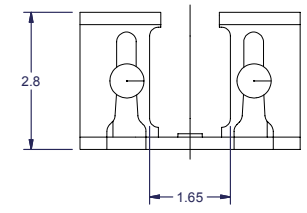
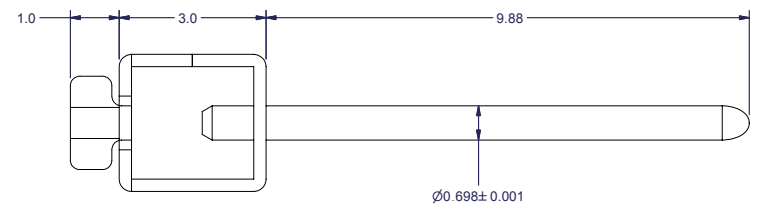
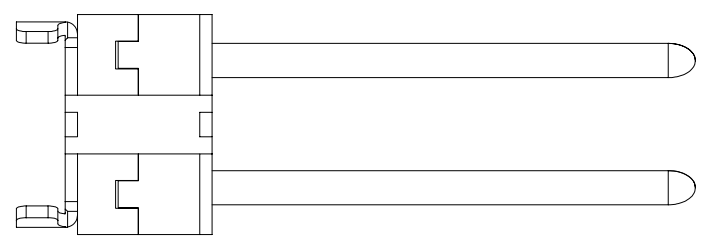
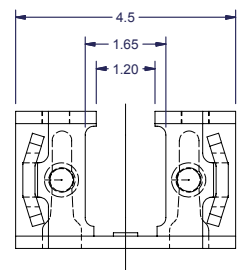


4 3 2 1



B

B

A

A

Material: STAINLESS STEEL		
REV.	DATE	DESCRIPTION
A	02/12/01	RELEASED TO SALES
B	4/24/03	UPDATED VIEWS FOR ROUNDED PIN TIP
C	8/26/03	UPDATED VIEWS TO REFLECT PIN CLAMP REV

CUSTOMER DRAWING

DIMENSIONS FOR REFERENCE ONLY

THIRD ANGLE PROJECTION

915 Tate Blvd. SE
Hickory, NC 28603-2306
828-323-8883

US CONEC

TITLE
MT-RJ MM METAL PIN CLAMP MALE

SIZE	S&M Part No.:	DWG NO.	REV
B	MTRJ-METCLP-MM	C10472	C
SCALE	Drafter	Date:	SHEET
NTS	leebonar	1/25/2001	1 OF 1

4 3 2 1

1 METRIC/mm