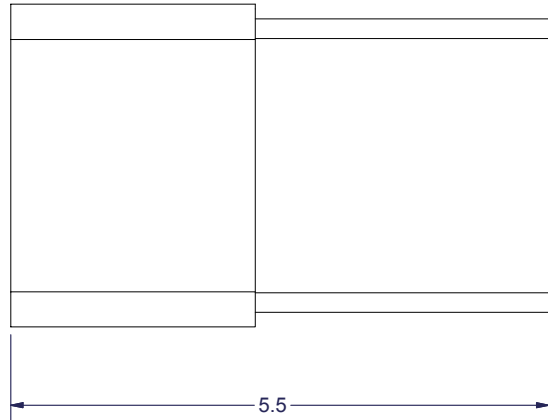


4

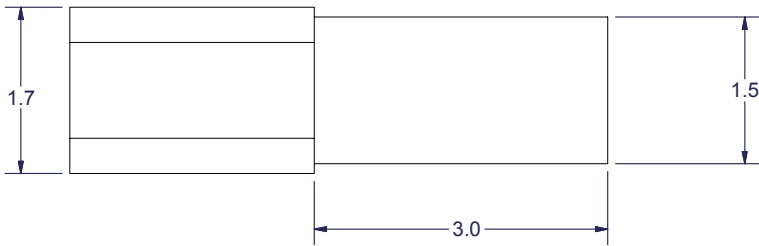
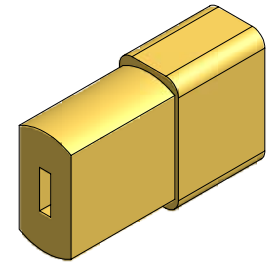
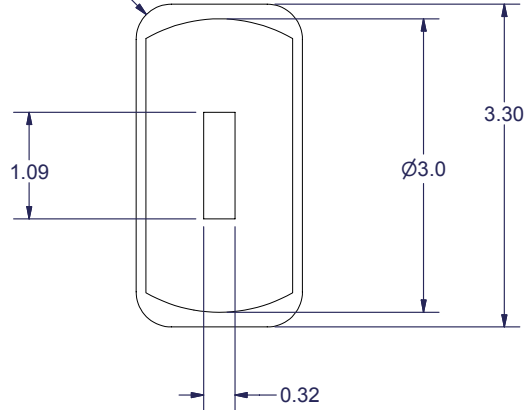
3

2

1



R0.36
4 PLC



Material: KRAYTON			
REV.	DATE	DESCRIPTION	ECN
A	1/26/01	RELEASE TO SALES	00083
B	4/02/04	DIM 0.32± 0.10 WAS 0.28± 0.10	00536

CUSTOMER DRAWING

DIMENSIONS FOR REFERENCE ONLY

THIRD ANGLE PROJECTION

METRIC/mm

915 Tate Blvd. SE
Hickory, NC 28603-2306
828-323-8883

USCONEC

TITLE
BOOT, FERRULE, 4 FIBER, MT

SIZE	S&M Part No.:	DWG NO.	REV
B	200001-01	C10466	B
SCALE	Drafter	Date:	SHEET
N.T.S.	F. COPE	1/24/2001	1 OF 1

4

3

2

1