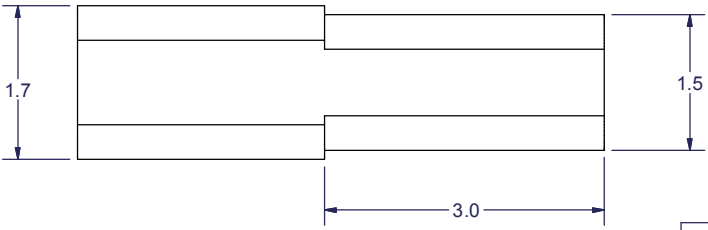
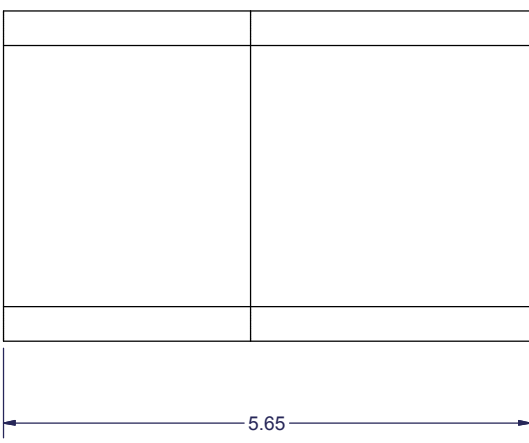
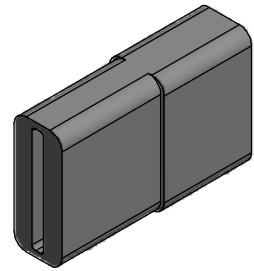
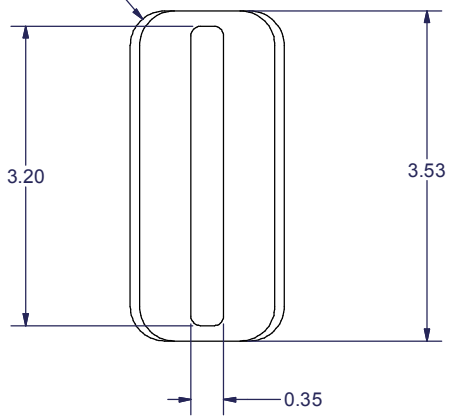


R0.37
8 PLC



NOTES:
1. COLOR: BLACK

USCONEC LTD. PROPRIETARY
THIS DOCUMENT AND THE ASSOCIATED DATA CONTAIN RESTRICTED INFORMATION THAT IS USCONEC LTD. PROPERTY. DISCLOSE OR DUPLICATE FOR OTHERS ONLY AS AUTHORIZED BY USCONEC LTD.

Material: TPE - MATERIAL SPEC #C13480

REV	DATE	DESCRIPTION	ECN
D	6/3/11	RELEASE	01289
E1	3/22/12	REMOVE P/N 9853	01313
E	4/23/12	RELEASE	01313
F1	11/24/15	REVISE DIMS TO BETTER MATCH AS-MOLDED: 5.65 w 5.5; 0.37 w 0.36; 3.53 w 3.52	1511-my
F	12/10/15	RELEASE	1511-mm

CUSTOMER DRAWING

DIMENSIONS FOR REFERENCE ONLY

THIRD ANGLE PROJECTION

METRIC/mm

▲ DENOTES CRITICAL DIMENSION

Hickory, NC
800-769-0944
www.usconec.com

USCONEC

TITLE
BOOT, MT, 12 FIBER FERRULE

SIZE	S&M Part No.:	DWG NO.	REV
B	200002-01	C10464	F
SCALE	Drafter	Date:	SHEET
N.T.S.	F. COPE	1/24/2001	1 OF 1