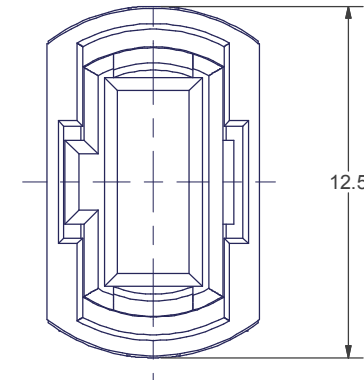
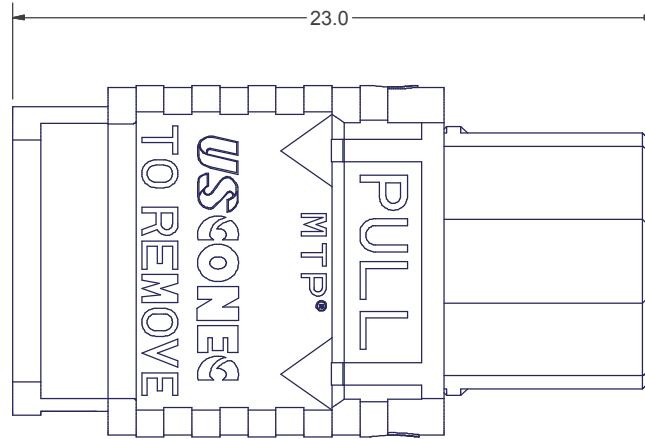
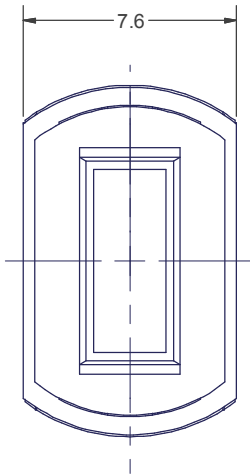
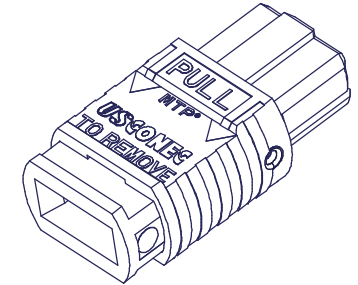
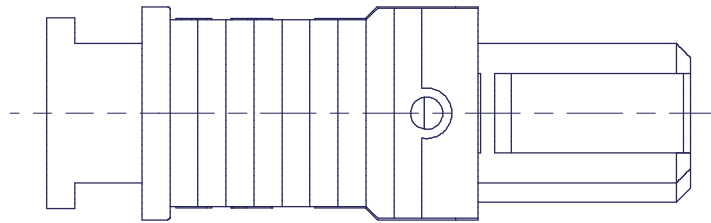


PART NO.	COLOR
MTP-A12-02	BLACK
MTP-A12-11	BEIGE
16007	GREEN
16918	YELLOW
7871	AQUA
8497	BLUE
13949	MAGENTA
16693	HEATHER VIOLET
16791	MUNSELL VIOLET



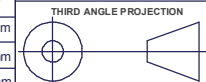
USCONEC LTD. PROPRIETARY
THIS DOCUMENT AND THE ASSOCIATED DATA CONTAIN RESTRICTED INFORMATION THAT IS USCONEC LTD. PROPERTY. DISCLOSE OR DUPLICATE FOR OTHERS ONLY AS AUTHORIZED BY USCONEC LTD.

Material: N/A

REV	DATE	DESCRIPTION	ECN
E	10/17/11	RELEASE	01377
F1	4/27/15	ADDED (Heather Violet) PN 16693 & (Munsell Violet) PN 16791	1803-mm
F	8/26/15	RELEASE	1803-mm
G1	5/26/16	REPLACED HSG ASSY PIN'S: 16007 was MTP-A12-12; 16918 was MTP-A12-15	1619-mm
G	10/20/16	RELEASE	1997-mm

CUSTOMER DRAWING

DIMENSIONS FOR REFERENCE ONLY



METRIC/mm

▲ DENOTES CRITICAL DIMENSION

USCONEC
Hickory, NC
800-769-0944
www.usconec.com

TITLE
ASSEMBLY, HOUSING,
MTP®

SIZE	S&M Part No.:	DWG NO.	REV
B	SEE CHART	C10074	G
SCALE	Drafter	Date:	SHEET
N.T.S.	F. COPE	7/30/2001	1 OF 1