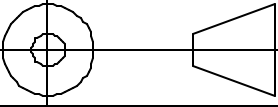


SECTION A-A

Material: VINYL PLASTISOL / BLACK SHORE A 75

REV.	DATE	DESCRIPTION	ECN
A	7/10/01	RELEASE	XXXXX

**CUSTOMER DRAWING**  
 DIMENSIONS FOR REFERENCE ONLY  
 THIRD ANGLE PROJECTION  
  
**METRIC/mm**

**US CONEC** 915 Tate Blvd. SE  
 Hickory, NC 28603-2306  
 828-323-8883

TITLE: **FERRULE COVER, MT**

SIZE: <b>B</b>	S&M Part No.: 300001-01	DWG NO: <b>C10449</b>	REV: <b>A</b>
SCALE: NTS	Drafter: F. COPE	Date: 1/17/2001	SHEET 1 OF 1